

Pressure Filters

DHP DIN Series Filters

Flows to 400 L/min (106 USgpm)
Pressures to 400 bar (5801 PSI)

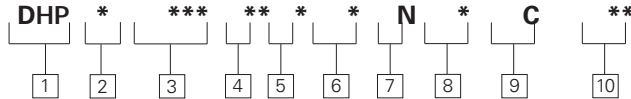


Features and Benefits

- Designed to Comply with DIN 24550 specifications
- Fatigue rated:
063, 100, and 250 size: 400 bar
400 size: 210 bar
- Visual, electrical, and electrical indicators with light options for system design flexibility
- High efficiency six layer media elements
- Bypass and non-bypass options available

DESIGN SPECIFICATIONS

Rated flow:	063	63L/min (16.6USgpm)
	100	100L/min (26.4USgpm)
	250	250L/min (66.0USgpm)
	400	400L/min (105.7USgpm)
Housing & Element Compatibility:	Compatible with most petroleum oil, water glycol, and oil in-water fluids. Optional seals available for phosphate esters.	
Temp range:	-10°C to + 100°C (+14°F to +212°F)	
Pressure rating:	Operating	063, 100, 250
		400
Material:	Nodular Iron and Steel	
Dry weight:	063	6.0kg (13.2lbs.)
(Approximate with element)	100	7.5kg (16.5lbs.)
	250	13.0kg (28.6lbs.)
	400	28.0kg (61.7lbs.)



DHP Series Filter Model Code

Sample model code:
DHP1100BC4ANBC06

1 Filter Series

DHP - DIN High Pressure

2 Element Collapse Rating

1 - 435 PSI Low Collapse

4 - 2320 PSI High Collapse

3 Nominal Size

063- 63L/min (16.6USgpm)

100- 100L/min (26.4USgpm)

250- 250L/min (66.0USgpm)

400- 400L/min (105.7USgpm)

4 Port Size

TYPE	PORT SIZE	FILTER SIZE			
		63	100	250	400
BC	G 3/4	•			
BD	G 1		•		
BE	G 1-1/2			•	
BK	DN38				•

5 Valve Options

4 - Non-Bypass

6 - Bypass set at 100 PSI cracking pressure

6 Indicator Options

AN- Visual 70 PSI,
No Connector

JN- No Indicator,
No Connector

TB- Electrical 70 PSI,
Brad Harrison Connector

TH- Electrical 70 PSI,
Hirschman

8 Seal Material

B - Buna-N

V - Viton-A

Viton is a registered trademark of E.I. DuPont

9 Element Construction

C - Standard Construction

H - High Collapse Construction

10 Media Grade

03 16/14/12 or better

06 18/16/14 or better

10 20/18/15 or better

25

Items not in bold are non-standard and may have a longer lead time

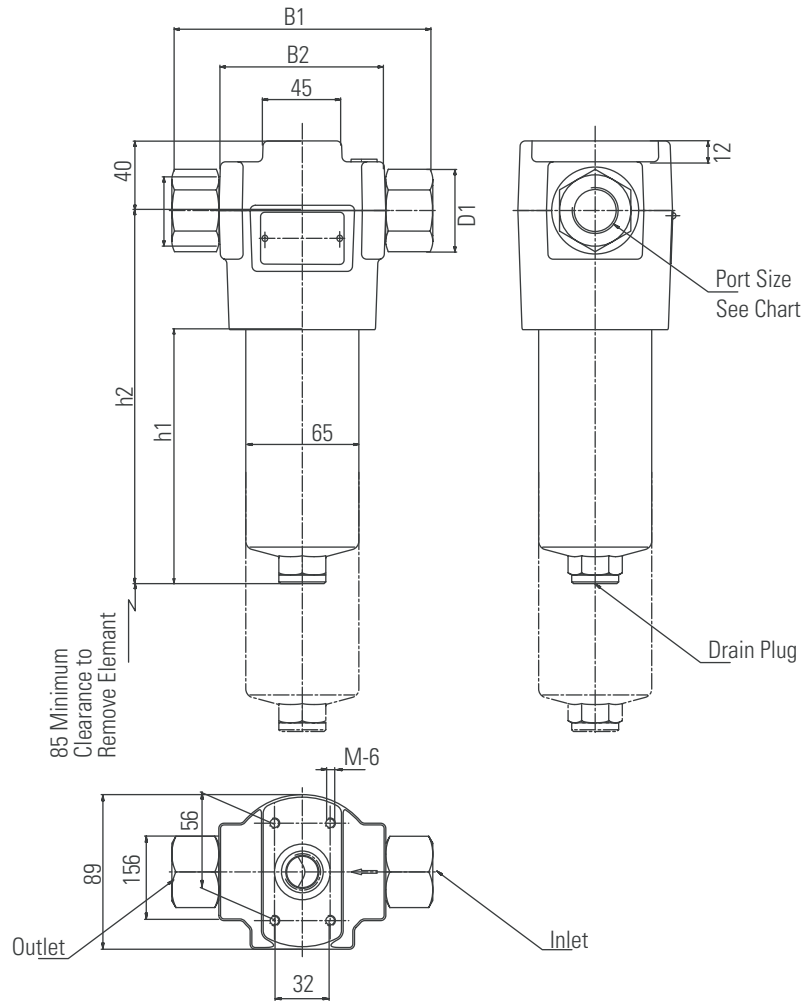
Pressure Filters

DHP DIN Series

Filters

Flows to 400 L/min (106 USgpm)
Pressures to 400 bar (5801 PSI)

Dimensions DHP 063, 100 Series



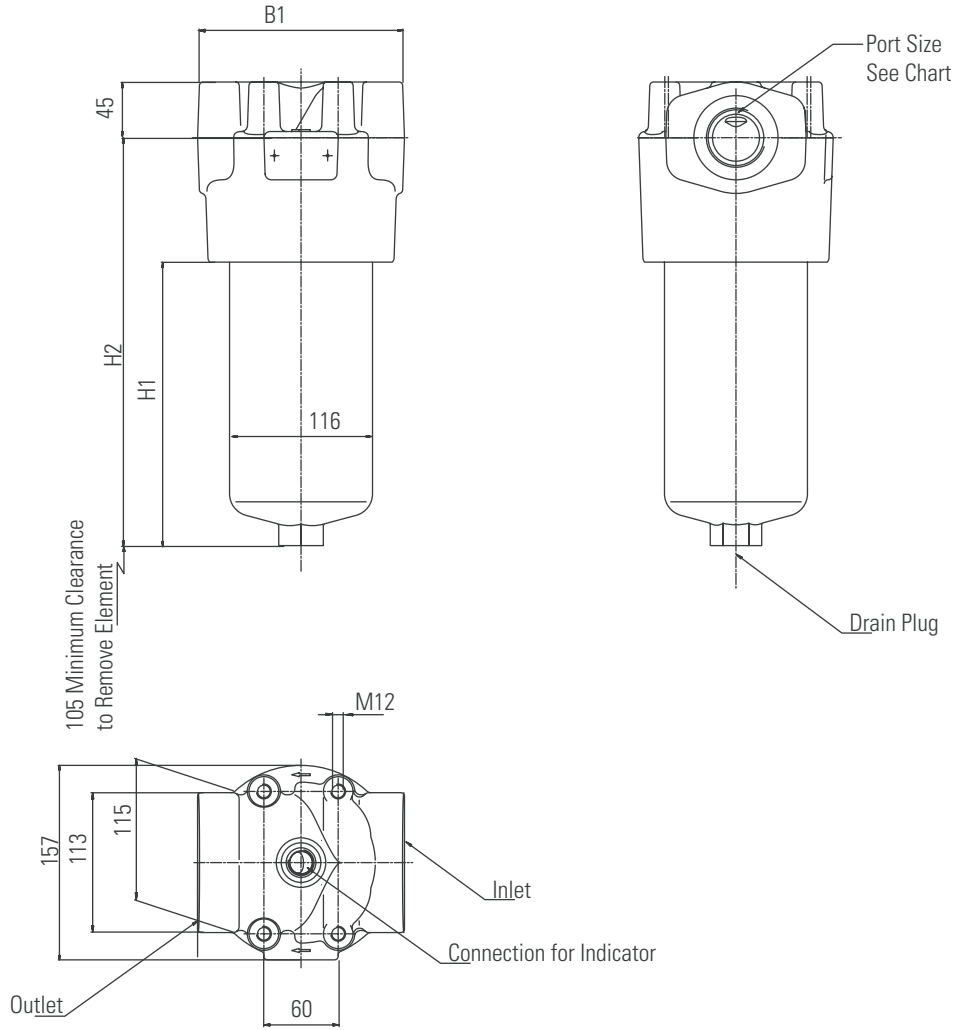
Pressure Filters

DHP DIN Series

Filters

Flows to 400 L/min (106 USgpm)
Pressures to 400 bar (5801 PSI)

Dimensions DHP 250 and 400 Series



Pressure Filters

DHP DIN Series Filters

Flows to 400 L/min (106 USgpm)
Pressures to 400 bar (5801 PSI)

DHP 063, 100 Series Housing Data

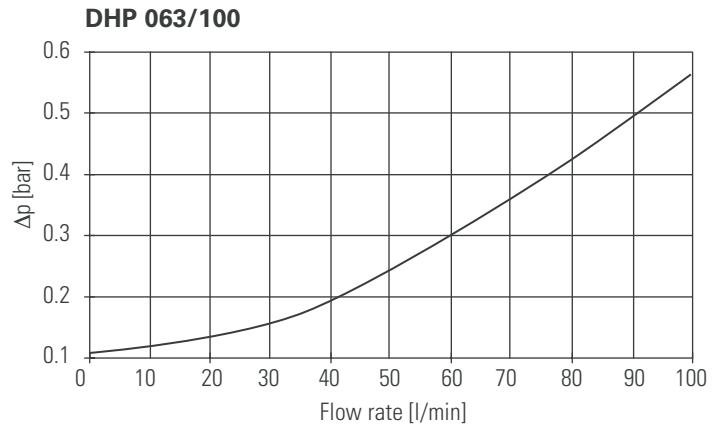
Filter Housing Flow Data

Flow versus pressure drop:

32 cSt oil with specific gravity of ≤ 0.9

(See page 5 for specific gravity corrections for pressure drop.)

TYPE	PORT SIZE	B1	B2	D1	H1	H2
DHP 063	G 3/4	150	–	–	146	215
DHP 100	G 1	–	96	50	236	305



DHP 250, 400 Series Housing Data

Filter Housing Flow Data

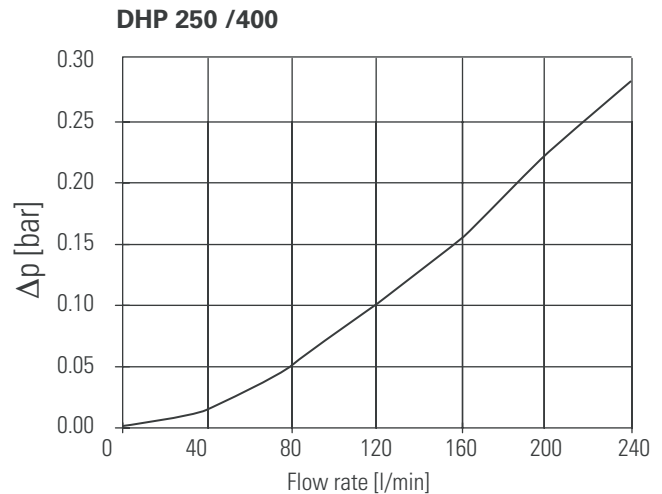
Flow versus pressure drop:

32 cSt oil with specific gravity of ≤ 0.9

(See page 5 for specific gravity corrections for pressure drop.)

TYPE	PORT SIZE	B1	H1	H2
DFN 250	G 1 1/2	167	229	330
DFN 400	DN 38*	158	379	480

* Flange SAE 1 1/2", 3000 PSI (210 bar)

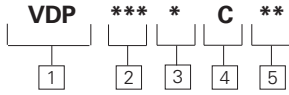


Pressure Filters

DHP DIN Series Filters

Element Model Code

(For use in DHP, DMP, and DLR Series Housings)



Sample model code:

VDP063BC06

1 Filter Element

VDP - DIN Standard Element

2 Nominal Size

063* - 63L/min (16.6USgpm)
100* - 100L/min (26.4USgpm)
250* - 250L/min (66.0USgpm)
400 - 400L/min (105.7USgpm)

3 Seal Material

B - Buna-N
V - Viton-A
 Viton is a registered trademark of E.I. DuPont

4 Element Construction

C - Standard Construction
H - High Collapse Construction

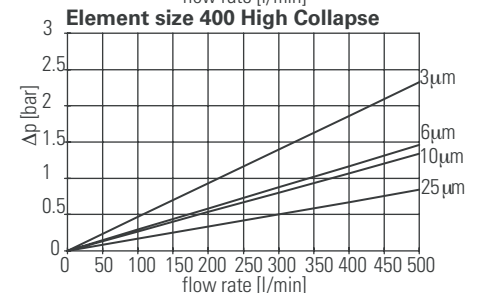
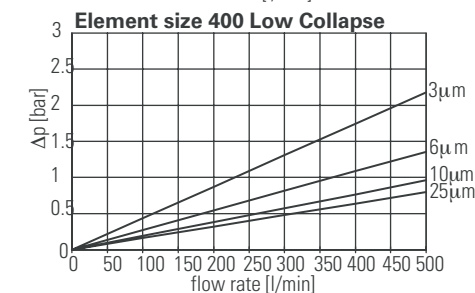
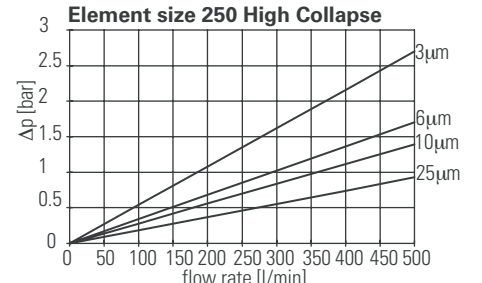
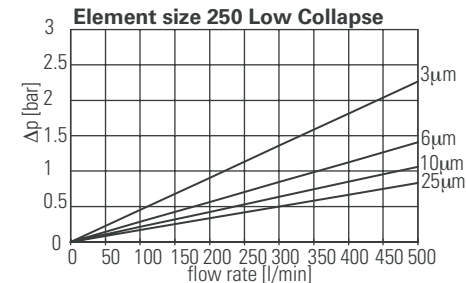
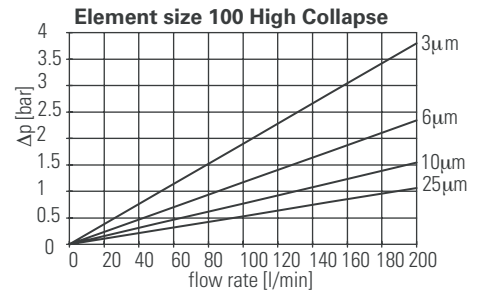
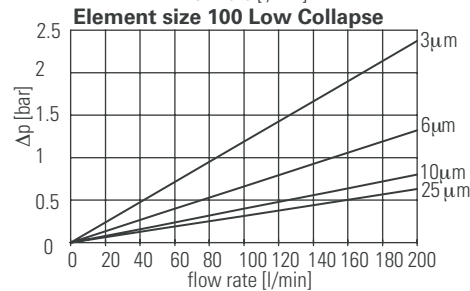
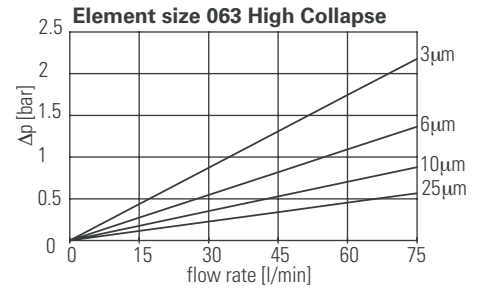
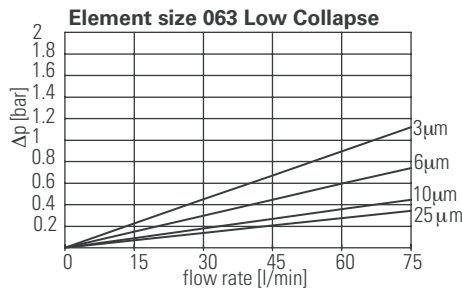
5 Media Grade

03 16/14/12 or better
06 18/16/14 or better
10 20/18/15 or better
25

VDP Series Element Flow Data

Flow versus pressure drop: 32 cSt oil with specific gravity of ≤ 0.9

(See page 6 for viscosity corrections for pressure drop.)



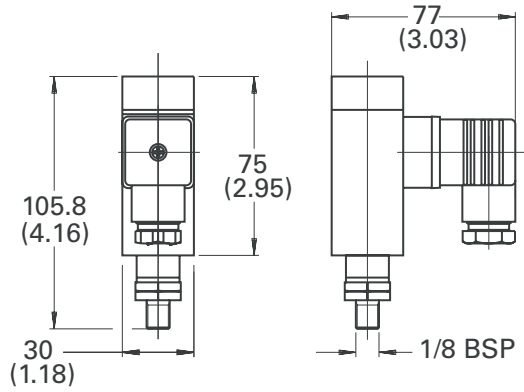
Items not in bold are non-standard and may have a longer lead time

Pressure Filters

DHP DIN Series Filters

Electrical Pressure Switch

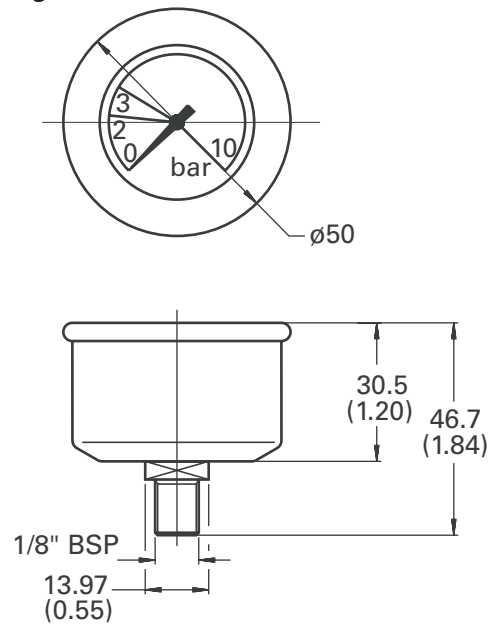
Hirshman Connector



HOUSING	PART NUMBER
DRT	3039708 Electrical Switch 30 PSI Hirshman Connector

Gauge

0-10 Bar Gauge



HOUSING	PART NUMBER
DRT	3039703 Gauge 0 - 10 Bar

Note: Gauges indicate pressure in both bar and PSI