

In-tank Filters

DRT DIN Series Filters

Flows to 630 (166 USgpm)
Pressures to 10 bar (145 PSI)

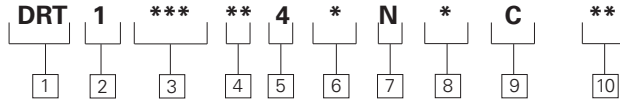


Features and Benefits

- Gauge and electrical switch options available to monitor element loading
- In-tank configuration minimizes space requirements and potential system leakage points.
- High efficiency replacement elements in standard configurations (C-Pak) to meet Target Cleanliness Levels

DESIGN SPECIFICATIONS

Rated flow:	040 063 100 160 250 400 630	40 L/min (11USgpm) 63 L/min (17USgpm) 100 L/min (26USgpm) 160 L/min (42USgpm) 250 L/min (66USgpm) 400 L/min (106USgpm) 630L/min (166USgpm)
Fluid compatibility:	Compatible with most petroleum oil, oil-in-water and water-in-oil fluids. Optional seals available for phosphate esters	
Temp range:	-10°C to + 100°C (+14°F to +212°F)	
Pressure rating:	Operating	25 bar (363 PSI)
Material:	Aluminum	
Dry weight:	040 063 100 160 250 400 630	1,5 kg (3.3lbs) 1,5 kg (3.3lbs) 1,5kg (3.3lbs) 3,8kg (8.4lbs) 3,8kg (8.4lbs) 9,0kg (19.8lbs) 9,0kg (19.8lbs)



DLR Series Filter

Sample model code:

DRT1100BC41NBC06

1 Filter Series

DRT - DIN In-Tank

2 Element Collapse Rating

1 - Low Collapse

3 Nominal Size

040 - 40 L/min (11USgpm)
063 - 63 L/min (17USgpm)
100 - 100 L/min (26USgpm)
160 - 160 L/min (42USgpm)
250 - 250 L/min (66USgpm)
400 - 400 L/min (106USgpm)
630 - 630L/min (166USgpm)

4 Port Size

BB - G 1/2" (Length 040 only)
BC - G 3/4" (Length 063 only)
BD - G 1" (Length 100 only)
BE - G 1 1/4" (Length 160 only)
BF - G 1 1/2" (Length 250 only)
BM - DN 64 (Length 400 and 630 only)

5 Valve Options

4 - Bypass set at 50 PSI cracking pressure

6 Indicator Options

1 - None
2 - 0-10 Bar Gauge
9 - Electrical Switch Hirschman

7 Secondart Port

N - No Secondary Port

8 Seal Material

B - Buna-N
V - Viton-A

9 Element Construction

C - Standard Construction

10 Fluid Cleanliness Rating

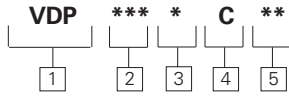
Code	Target fluid cleanliness level
03	16/14/12 or better
06	18/16/14 or better
10	20/18/15 or better
25	22/19/16 or better

Items not in bold are non-standard and may have a longer lead time

In-tank Filters

DRT DIN Series Filters

Flows to 630 (166 USgpm)
Pressures to 10 bar (145 PSI)



Element model code

Sample model code:

VDP160BC06

1 Filter Element
VDT - DIN Standard Element

2 Nominal Size
040 - 40 L/min (11USgpm)
063 - 63 L/min (17USgpm)
100 - 100 L/min (26USgpm)
160 - 160 L/min (42USgpm)
250 - 250 L/min (66USgpm)
400 - 400 L/min (106USgpm)
630 - 630L/min (166USgpm)

3 Seal Material
B - Buna-N
V - Viton-A

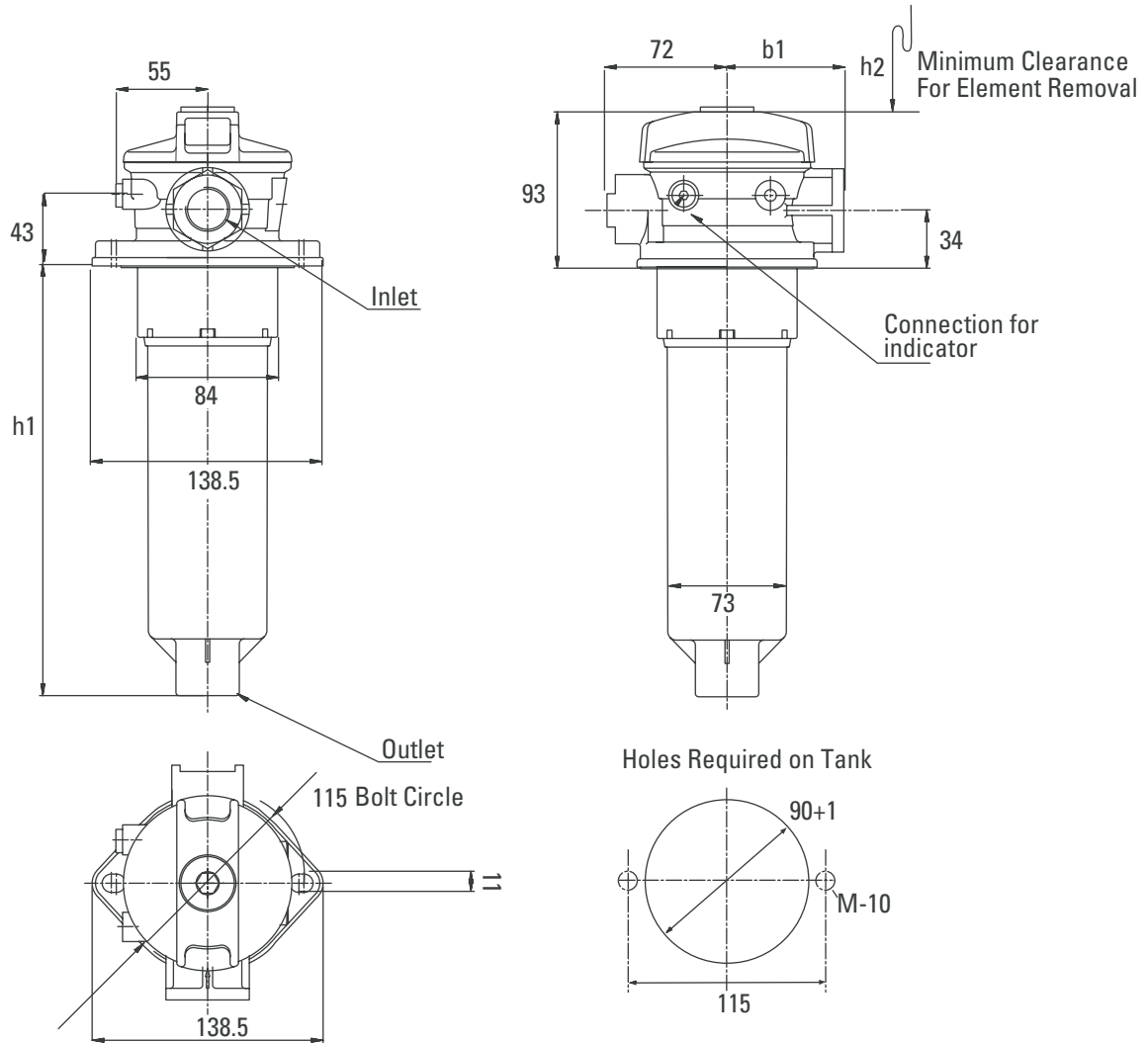
4 Element Construction
C - Standard Construction

5 Fluid Cleanliness Rating

Code	Target fluid cleanliness level
03	16/14/12 or better
06	18/16/14 or better
10	20/18/15 or better
25	22/19/16 or better

Dimensions DRT 040, 063, 100 Series

Dimensions in mm



Items not in bold are non-standard and may have a longer lead time

In-tank Filters

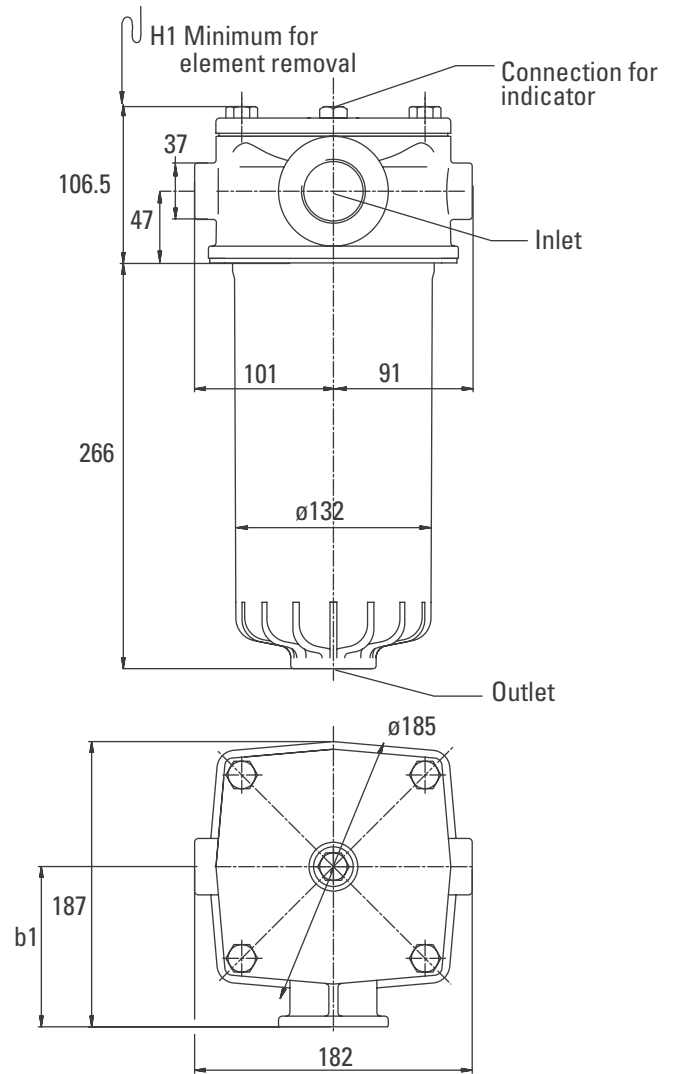
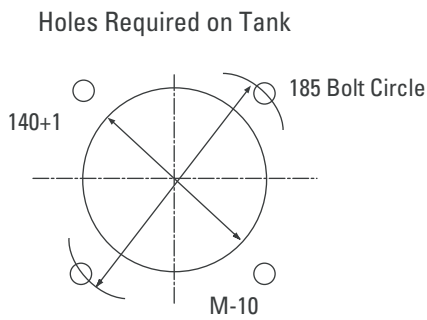
DRT DIN Series

Filters

Flows to 630 (166 USgpm)
 Pressures to 10 bar (145 PSI)

Dimensions DRT 160 and 250 Series

Dimensions in mm



In-tank Filters

DRT DIN Series Filters

Flows to 630 (166 USgpm)
Pressures to 10 bar (145 PSI)

Housing Flow Data

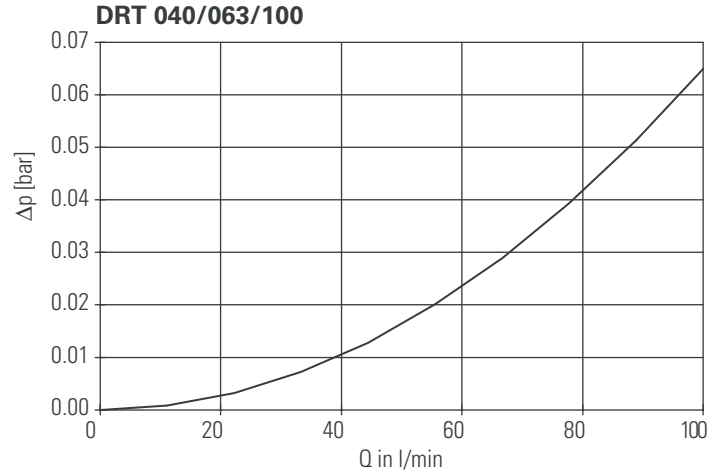
DRT 040, 063, 100 Series Housing Data

Flow versus pressure drop:

32 cSt oil with specific gravity of ≤ 0.9

(See page 5 for specific gravity corrections for pressure drop.)

TYPE	INLET PORT	B1	H1	H2
DRT 040	G 1/2	81	122	150
DRT 063	G 3/4	70	206	200
DRT 100	G 1	70	260	290



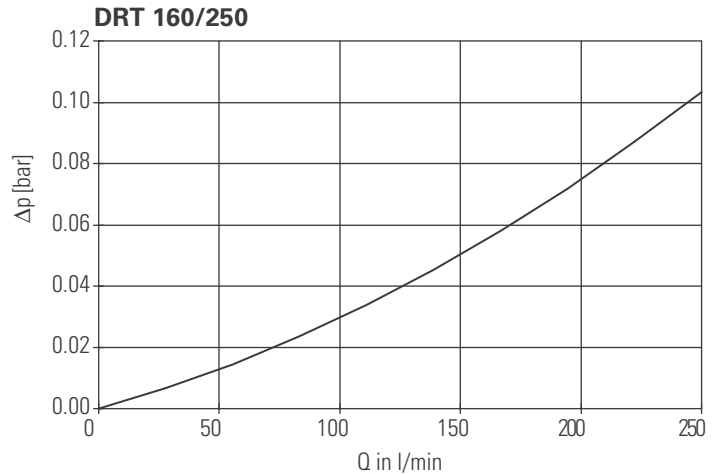
DRT 160 and 250 Series Housing Data

Flow versus pressure drop:

32 cSt oil with specific gravity of ≤ 0.9

(See page 5 for specific gravity corrections for pressure drop.)

TYPE	INLET PORT	B1	H1
DRT 160	G 1 1/4	141	210
DRT 250	G 1 1/2	105	300



In-tank Filters

DRT DIN Series

Filters

Flows to 630 (166 USgpm)
 Pressures to 10 bar (145 PSI)

Element Flow Data

