

Pressure Filters

ECF Series

Flows to 19 L/min (5 USgpm)
Pressures to 200 bar (3000 PSI)

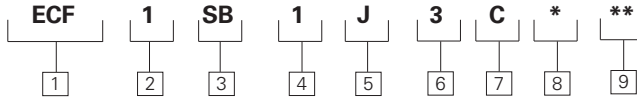


Features and Benefits

- Integrated throwaway element which is screwed into the manifold port for last chance filtration
- Catches particles in a variety of sizes (20, 50, 70 microns)
- Universally adaptable to all sizes of standard manifolds

DESIGN SPECIFICATIONS

Rated flow:	19 L/min (5 USgpm)	
Fluid compatibility:	Compatible with all petroleum, oil-based and synthetic fluids. Not rated for use with fluoro-rubber or ethylene propylene seals.	
Temp range:	-30°C to +121°C (-22°F to 250°F)	
Pressure rating:	Operating	200 bar (3000 PSI)
Cavity:	BC20-S3	
Material:	Head Bowl	Aluminum Aluminum
Dry weight: (Approximate)	0,11 kg (0.25 lbs)	



ECF Series Filter and Element Model Code

Sample model code:
ECF1SB1J3CB25

1 Filter Series - ECF

2 Element Collapse Rating

1 - 250 PSI low collapse

3 Port Options

SB - 1.312-12 UN SAE-16
straight thread 1" O.D. tube

4 Valve Options

1 - Non-Bypass
(Screw directly into cavity)

5 Indicator Options

J - No indicator

6 Assembly Length

mm (inch)
3 - 80.2 (3.16)

7 Element Construction

C - Standard construction

8 Seal Material

V - Viton-A

9 Fluid Cleanliness

Code	Fluid Cleanliness Rating	Element construction
15	20/18/15	C-Pak
25		Wirescreen
100		Wirescreen

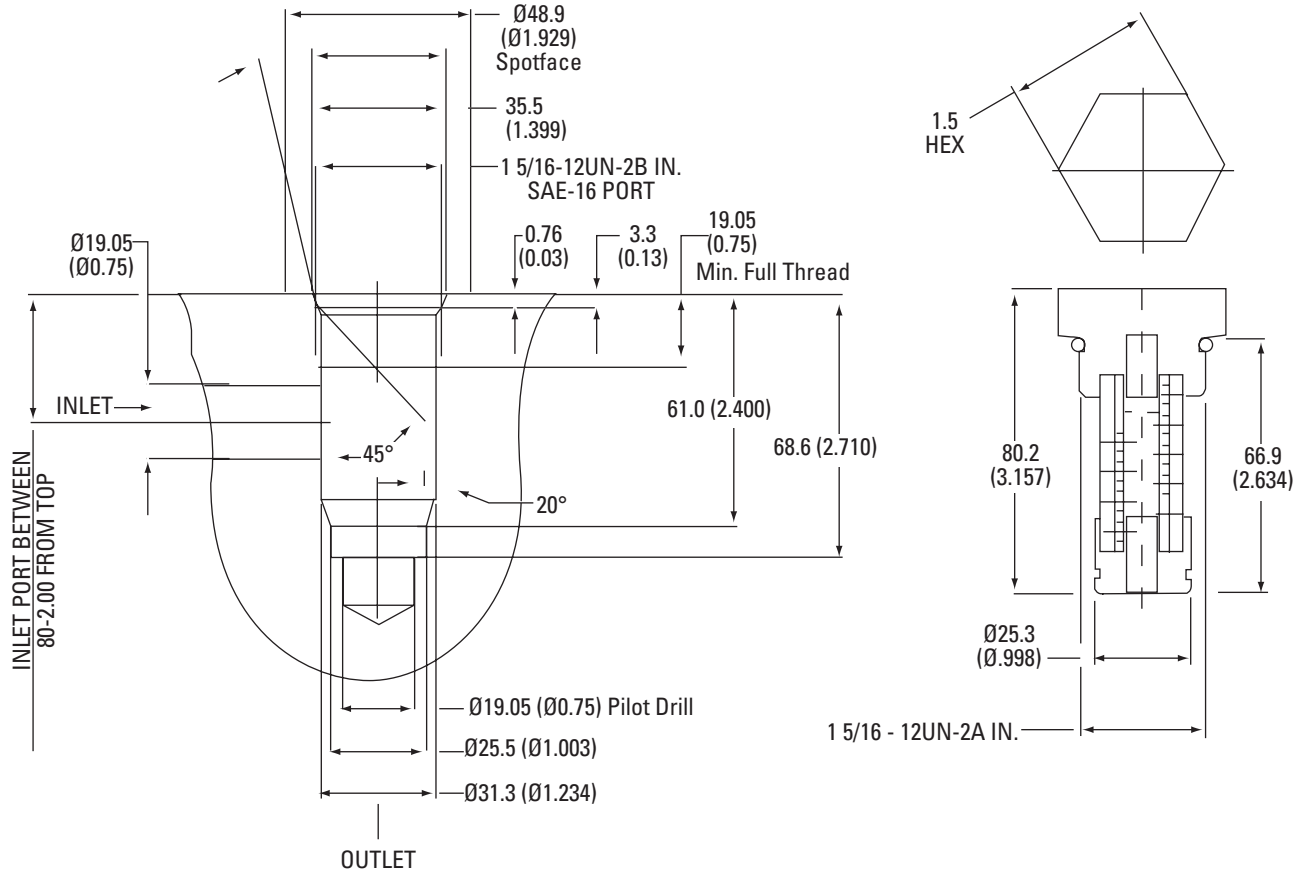
Pressure Filters

ECF Series

Flows to 19 L/min (5 USgpm)
Pressures to 207 bar (3000 PSI)

Housing Dimensions

mm (inch)

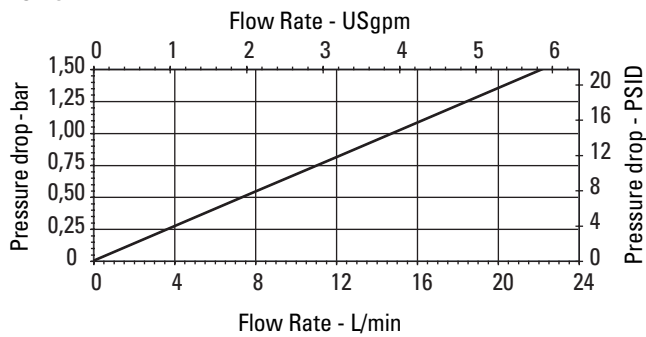


Housing/Element Flow Data

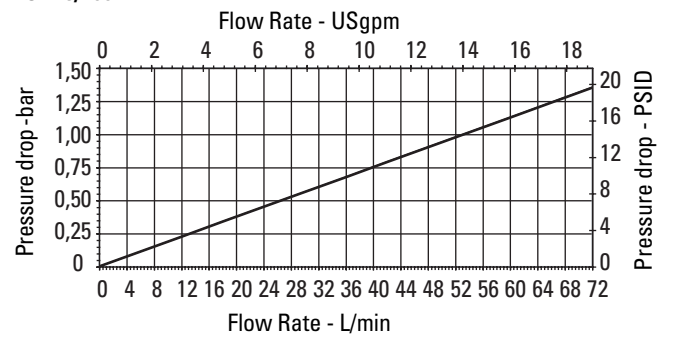
Flow versus pressure drop:

150 SUS (32 cSt) oil with specific gravity of ≤ 0.9

ECF15



ECF 25/100



Items not in bold are non-standard and may have a longer lead time