



FLK110

Max Flow: 42 gpm (159 lpm)



FLK110 In-Line Cartridge Filters

Working Pressures to: 435 *psi*
30 bar

Rated Static Burst to: 1300 *psi*
90 bar

Flow Range to: 42 *gpm*
159 *lpm*



Features

The FLK assembly is a robust, reusable housing and disposable cartridge design. The versatile FLK filter head accommodates multiple housing lengths. Industrial, raised hand grips make it easy to remove the housing from the head without the need for special servicing tools. The oil drain port on the bottom of the housing and the locking grab handles on the filter cartridge allow for cleaner, easier servicing. The filter tabs lock into place – simplifying positioning during reassembly. Short removal clearance is needed for filter replacement means the assembly can easily fit into tight spaces.

These assemblies utilize a unique sealing technology that protects systems from harmful ingressed contaminants and cross contamination of oil. The RadialSeal™ interface increases the surface area which provides a robust connection with superior vibration resistance, a common challenge in today's heavy-duty applications.

The FLK filters are offered with Synteq XP™ media, Donaldson's most advanced media technology. Each filter has extended surface area for advanced filtration performance. Synteq XP delivers better pressure drop and better contaminant holding capacity than standard filter media.

- Robust 4-point mount
- Optional 2-point mount
- Oil drain port
- Heads features:
 - one side machined/plugged for indicator

Beta Rating (per ISO 16889)

- Performance to $\beta_{<6(c)}=1000$

Porting Size

- SAE-20 O-ring

Weight

- Head: 1.26 kg / 2.77 lbs
- Long Housing: 1.34 kg / 2.95 lb
- Short Housing: 1.01 kg / 2.22 lb

Replacement Filter Lengths

- 7.4" / 187.9 mm
- 10.43" / 264.9 mm

Standard Bypass Rating

- 50 *psi* / 345 kPa / 3.5 bar
- No bypass

Operating Temperatures

- -40° to 250°F (-40° to 121°C)

Filter Collapse Rating

- 145 *psid* / 1000 kPa / 10 bar (standard)

Our FLK hydraulic filtration systems are packed with innovative features that will deliver cleaner, mistake-proof filter servicing.

Applications

- Hydrostatic Charge Pumps
- Hydrostatic Transmission
- Pilot Control Circuits

Integrated By-pass Valve

Robust, proven design

Unique Head to Cartridge Interface Connection

RadialSeal™ Sealing Technology

- No metal-to-metal contact – downstream flow
- Robust, reliable seal on clean side of filter – prevents cross contamination of oil

Filter Cartridge

- Double wire mesh support on outside of cartridge maintains pleat spacing under high pressure differential
- Locking grab handles makes for cleaner servicing and simplifies filter position during servicing

Industrial Hand Grips

No special servicing tools needed

RadialSeal™ Sealing Technology

- No metal-to-metal contact – upstream flow
- Easy-to-torque, mistake-proof sealing
- Robust, reliable seal

Anti-dust Seal

- Keeps threads free from contamination
- Easier to remove and reassemble during service

Synteq XP Media Technology

Delivers high performance – lower pressure drop, superior cold-start filtration and extended filter life

Closed End Cap

Eliminates the possibility of contamination to clean side of assembly during servicing

Oil Drain Port

Oil drain port used to drain oil during servicing

Locking Grab Handles

Cleaner, easier servicing





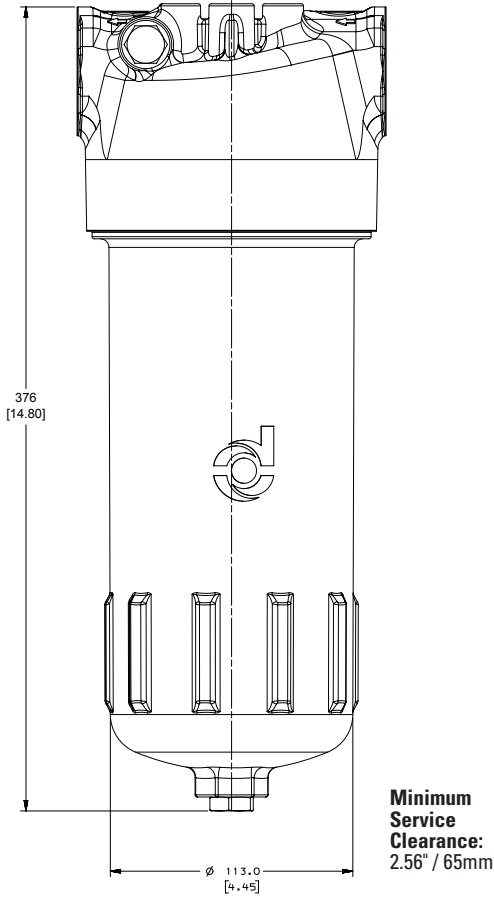
FLK110

Max Flow: 42 gpm (159 lpm)

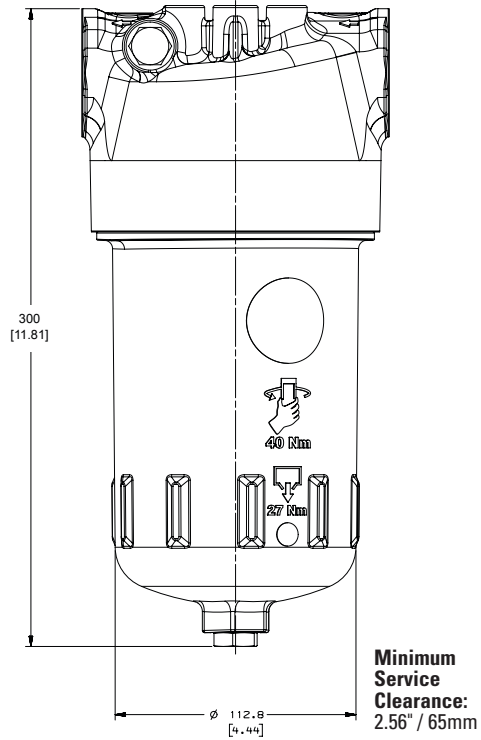


FLK Specification Illustrations

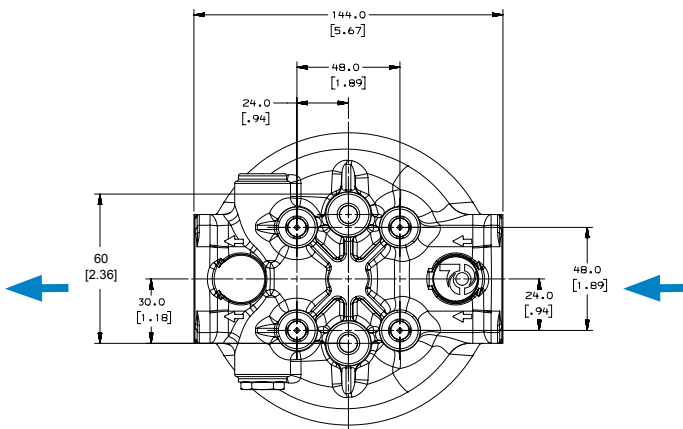
Long Assembly - Side View



Short Assembly - Side View



Head - Top View



FLK110 Components

Head Choices

Part No.	Port Connections	Bypass Valve
P766831	SAE-20	50 psi (3.4 bar) bypass
P767009	SAE-20	No bypass

Housing Choices

Part No.	Comments
P766812	Short length assembly
P766810	Long length assembly

Filter Choices

Media Type	$\beta_{x(c)} = 1000$ Rating based on ISO 16889	Length in mm	Donaldson Part No.
------------	--	-----------------	--------------------

Short Length Assembly

Synteq XP Synthetic	6 μ m	7.4	187	P766847
	11 μ m	7.4	187	P766813
	15 μ m	7.4	187	P767012

Long Length Assembly

Synteq XP Synthetic	6 μ m	10.43	265	P767010
	11 μ m	10.43	265	P766811
	15 μ m	10.43	265	P767011

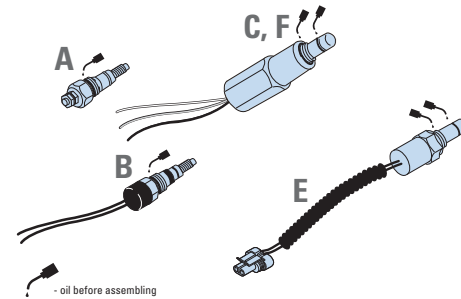
Service Indicator Choices

Electric Models¹

Use with Bypass Valve Pressure of:	Indicator Part No.	Style ²	Description
50 psi / 345 kPa	P165194	A	Single post DC. N.O.
50 psi / 345 kPa	P167455	A	Single post DC. N.C.
50 psi / 345 kPa	P171087	B	DC 2-wire.
50 psi / 345 kPa	P170926	E	DC 2-wire.
50 psi / 345 kPa	P173893	F	DC 3-wire.
50 psi / 345 kPa	P174396	C	AC/DC 3-wire.

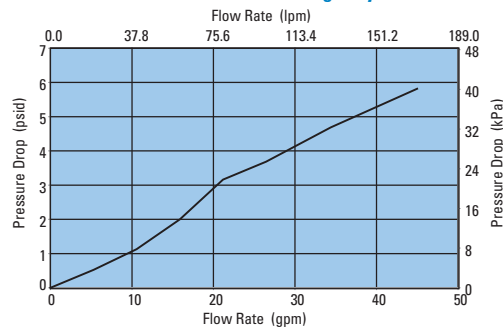
Indicator Notes

- ¹ All electric models have a maximum operating temperature of 250°F / 121°C.
- ² Complete details on all service indicators can be found in the accessories section.

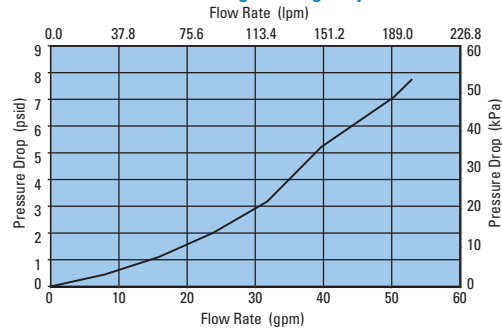


Performance Data

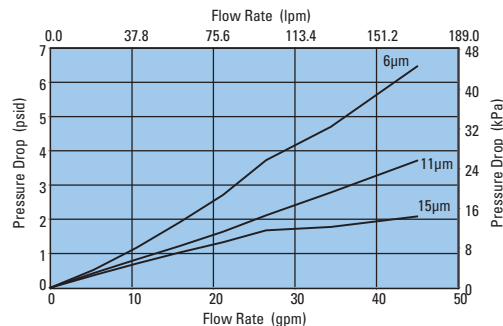
FLK110 Short Housing Only



FLK110 Long Housing Only



FLK110 7" Filter Only
(Synthetic Synteq XP, 7.4"/187mm)



FLK110 10" Filter Only
(Synthetic Synteq XP, 10.43"/265mm)

