



FPK02

Max Flow: 25 gpm (95 lpm)

FPK02 In-Line Cartridge Filters

Working Pressures to: 6090 *psi*
42,000 kPa
420 bar

Rated Static Burst to: 9135 *psi*
63,000 kPa
630 bar

Flow Range to: 25 *gpm*
95 *lpm*



Features

The FPK02 is built to withstand pressures upwards of 6000 psi (420 bar). It features a cast iron head and cold-extruded steel housing for ultimate strength and durability. This filter meets the HF2 in-plant automotive specification.

Bypass options include 87 psi/6 bar bypass, bypass with reverse-flow check valve, or no bypass.

Take advantage of our mix and match system of in-stock heads, housings and cartridges, so you can get exactly what you need. You can also choose the media type and configuration that's best for your application. All FPK02 filters contain Synteq™, Donaldson's exclusive synthetic fiber media formulated especially for hydraulic filtration.

Beta Rating

- Performance to $\beta_{<4(c)}=1000$

Porting Size Options

- SAE-12 O-ring

Assembly Weight

- 4" Assembly: 9.2 lbs / 4.2 kg
- 8" Assembly: 13.2 lbs / 6.0 kg

Replacement Filter Lengths

- 4.41" / 111.9mm
- 4.46" / 113.2mm
- 8.16" / 207.2mm
- 8.28" / 210.3mm

Standard Bypass Ratings

- 87 *psi* / 600 kPa / 6 bar
- 87 *psi* Bypass with reverse-flow check valve
- No Bypass

Operating Temperatures

- -20°F to 250°F / -29°C to 120°C

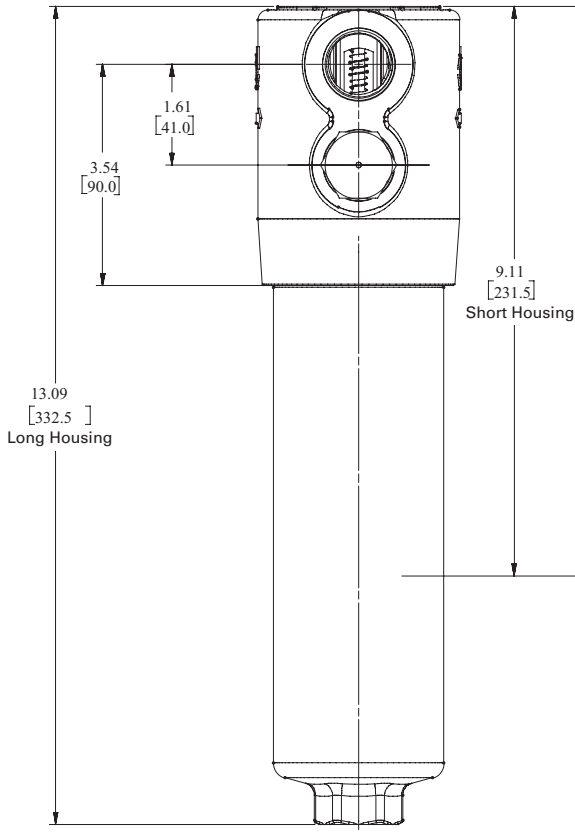
Filter Collapse Ratings

- 290 *psi* / 2000 kPa / 20 bar (standard)
- 3000 *psi* / 20,700 kPa / 207 bar (high collapse)

FPK02 Specification Illustrations

All dimensions are shown in inches [millimeters].

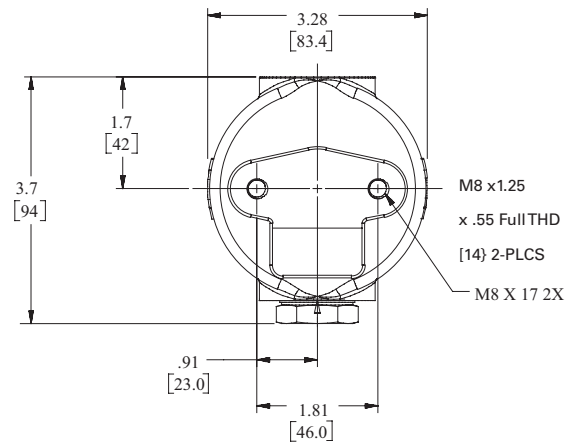
Assembly - Side View



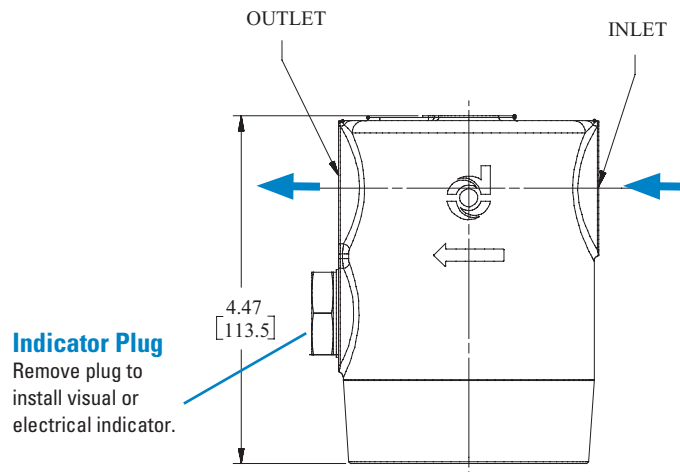
Applications

- High Pressure Circuits
- In-Plant Systems
- Meets HF2 Specification
- Mobile Equipment
- Power Steering Circuits
- Servo Valve Circuits

Head - Top View



Head - Side View



All dimensions above are shown in inches [millimeters]



FPK02

Max Flow: 25 gpm (95 lpm)

FPK02 Components

High-Performance DT Filter Choices

Media Type	$\beta_{x(c)} = 1000$ Rating based on ISO 16889	Length		Donaldson Part No.	Comments
		in	mm		
DT Synteq Synthetic	<4 μm	4.41	111.9	P566194	DT-9020-4-2UM
	5 μm	4.41	111.9	P566195	DT-9020-4-5UM
	8 μm	4.41	111.9	P566196	DT-9020-4-8UM
	12 μm	4.41	111.9	P566197	DT-9020-4-14UM
	23 μm	4.41	111.9	P566198	DT-9020-4-25UM
	<4 μm	8.28	210.3	P566199	DT-9020-8-2UM
	5 μm	8.28	210.3	P566200	DT-9020-8-5UM
	8 μm	8.28	210.3	P566201	DT-9020-8-8UM
	12 μm	8.28	210.3	P566202	DT-9020-8-14UM
	23 μm	8.28	210.3	P566203	DT-9020-8-25UM
	5 μm	4.46	113.2	P566335	DT-9021-4-5UM, High collapse
	12 μm	4.46	113.2	P566336	DT-9021-4-14UM, High collapse
	5 μm	8.16	207.2	P566337	DT-9021-8-5UM, High collapse
	12 μm	8.16	207.2	P566338	DT-9021-8-14UM, High collapse

Filter Notes

- All Donaldson DT filters utilize glass fiber media with an epoxy-based resin system for the ultimate in chemical compatibility.
- All Donaldson DT filters are potted with epoxy-based adhesives.
- Standard collapse DT designs are double wire-backed using epoxy-coated steel mesh for maximum pleat support and dirt capacity.
- High collapse designs are double wire-backed using stainless steel mesh.
- High collapse designs are also potted into machined aluminum endcaps for greater filter integrity in critical applications.
- Viton® seals are standard on all Donaldson DT filters. Viton® is a registered trademark of E. I. DuPont de Nemours and Company.

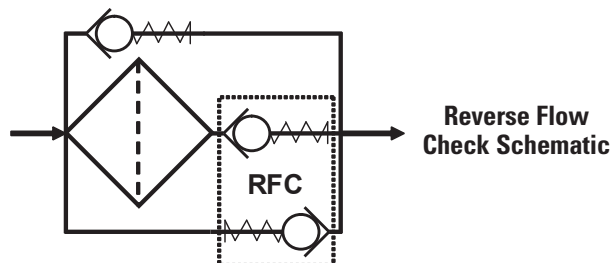
Housing Choices

Length (in.)	Part No.
4.4" filter	P762769
8.2" filter	P762770

Head Choices

Port Size	Bypass Rating	Part No.
SAE-12 O-Ring	87 psi / 6 bar	P762766
SAE-12 O-Ring with reverse-flow check valve	87 psi / 6 bar	P762767
SAE-12 O-Ring	No Bypass	P762768

NOTE: Indicator port is machined and plugged. Replace plug with indicator of choice: P171945 (visual) or P761056 (electrical).

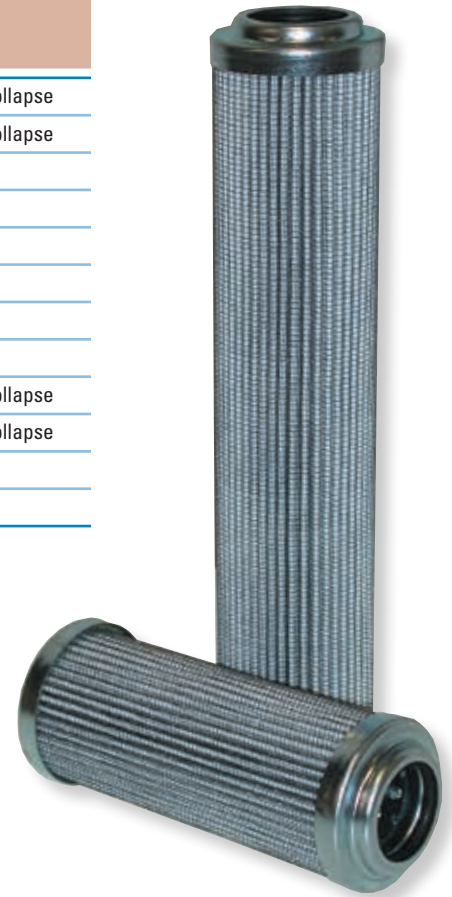


Standard Filter Choices

Media Type	$\beta_{x(c)} = 1000$ Rating based on ISO 16889	Length		Donaldson Part No.	Comments
		in	mm		
Synteq Synthetic	5 μ m	4.37	111	P167180*	Fluorocarbon Seal, High Collapse
	5 μ m	8.12	203	P167182*	Fluorocarbon Seal, High Collapse
	7 μ m	4.37	111	P169429	Buna-N® Seal
	7 μ m	4.37	111	P165041	Buna-N Seal
	7 μ m	8.12	203	P167838	Buna-N Seal
	7 μ m	8.12	203	P165043	Buna-N Seal
	9 μ m	4.37	111	P165006	Buna-N Seal
	9 μ m	8.12	203	P165015	Buna-N Seal
	12 μ m	4.37	111	P167181*	Fluorocarbon Seal, High Collapse
	12 μ m	8.12	203	P167183*	Fluorocarbon Seal, High Collapse
	23 μ m	4.37	111	P165136	Buna-N Seal
	23 μ m	8.12	203	P165138	Buna-N Seal

Filter Notes

- * Utilizes DT Synteq synthetic media
- Refer to the table in the Technical Reference Guide for fluid compatibility with our filter media.
- If you're filtering petroleum-based oil, filters with seals made of Buna-N are appropriate for most applications.
- If you're filtering diester, phosphate ester fluids, water glycol, water/oil emulsions, and HWCF over 150°F/83°C, use filters with seals made of fluorocarbon, such as Viton® from DuPont Dow Elastomers, or Fluorel® from 3M Company.
- Donaldson "high collapse" filters, with their steel end caps and wire-backed media, are rated to withstand up to 3000 psi/ 20,700 kPa before collapsing.
- The fluorocarbon seal/high collapse filters also use epoxy potting and media seam seals for added chemical compatibility.
- Some part numbers are offered with the same beta ratings to maintain customer ordering patterns.
- Viton® and Buna-N® registered trademarks of E. I. DuPont de Nemours and Company.





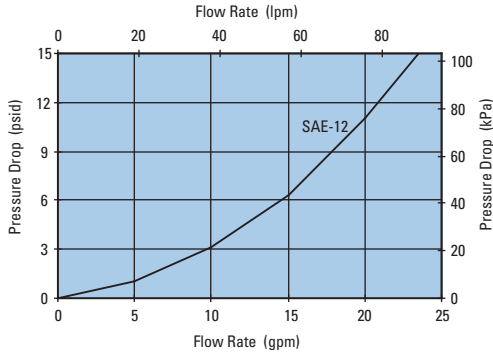
FPK02

Max Flow: 25 gpm (95 lpm)

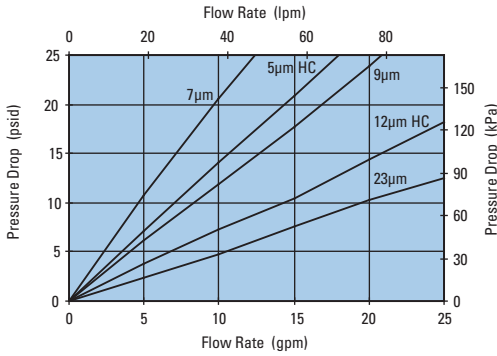


Performance Data

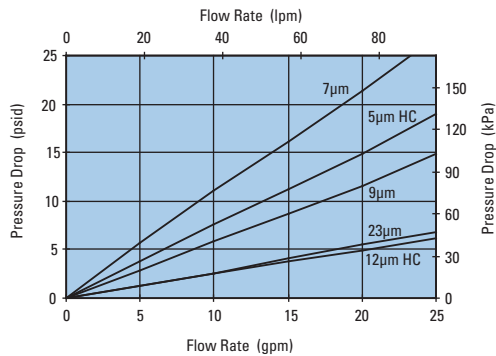
FPK02 Housing Only



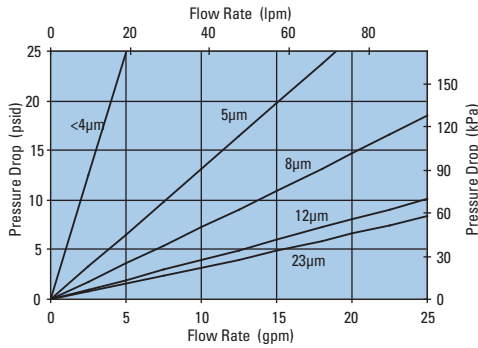
FPK02 Standard 4" Filter Only
4.37"/111mm



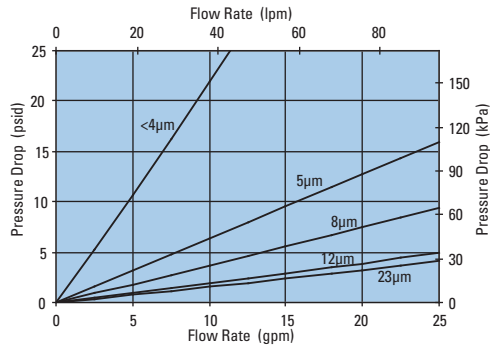
FPK02 Standard 8" Filter Only
8.12"/203mm



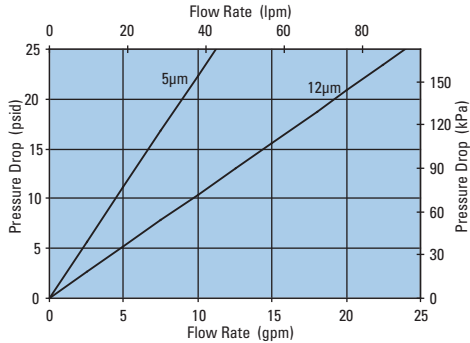
FPK02 4" DT Filter Only
DT-9020-4, 4.41"/111.9mm



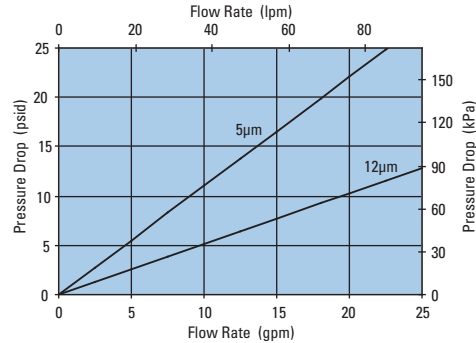
FPK02 8" DT Filter Only
DT-9020-8, 8.28"/210.3mm



FPK02 4" DT Filter Only
DT-9021-4, 4.46"/113.2mm



FPK02 8" DT Filter Only
DT-9021-8, 8.16"/207.2mm



FPK02 Service Parts

When installing the FPK02 housing onto an installed head, torque it to 15 ft-lbs./2.1 kg-m.

SERVICE PARTS NOTE:

Some service parts may not be stocked. Please contact your Donaldson sales representative for lead time details.

