



FPK04

Max Flow: 100 gpm (379 lpm)

FPK04 In-Line Cartridge Filters

Working Pressures to: 4350 *psi*
30,000 *kPa*
300 *bar*

Rated Static Burst to: 9135 *psi*
63,000 *kPa*
630 *bar*

Flow Range to: 100 *gpm*
379 *lpm*



Features

The FPK04 T-type ported series offers flows up to 100 gpm (379 lpm) with a bypass option and conforms to the HF3 automotive standard.

Donaldson Synteq™ media is offered in a variety of designs. Upgraded Donaldson high-performance DT filters are also offered for superior performance. The differential pressure indicator line is designed to work with the wide assortment of bypass valve options.

- Conforms to HF3 specifications
- High collapse filters available for use with non-bypass applications
- Wide range of indicator options
- Three housing length options for design flexibility
- Buna-N® seals standard, Viton® available
- Head material: cast iron
- Housing material: steel

Viton® and Buna-N® are registered trademarks of E. I. DuPont de Nemours and Company.

Beta Rating

- Performance to $\beta_{<4(c)}=1000$

Porting Size Options

- SAE-20 O-Ring

Assembly Weight

- 4": 26.4 lbs / 12.0 kg
- 8": 33 lbs / 15.0 kg
- 13": 33 lbs / 15.0 kg

Standard Replacement Filter Lengths

- 4.58" / 116.3mm
- 4.62" / 117.3mm
- 8.20" / 208.3mm
- 12.88" / 327.2mm
- 12.93" / 328.4mm

DT Replacement Filter Lengths

- 4.56" / 116mm
- 4.59" / 116.7mm
- 8.19" / 208mm
- 8.22" / 208.8mm
- 8.23" / 209mm
- 12.85" / 326.3mm
- 12.87" / 327mm
- 12.91" / 327.8mm

Standard Bypass Ratings

- No Bypass
- 87 psi / 600 kPa / 6.0 bar

Operating Temperatures

- -4° to 248°F (-20° to 120°C)

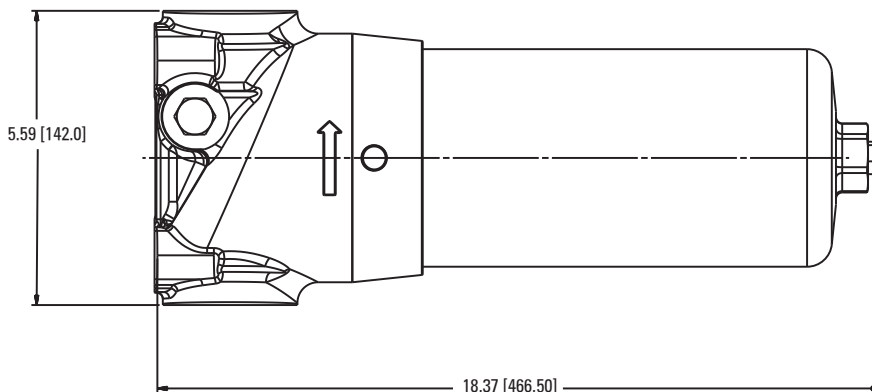
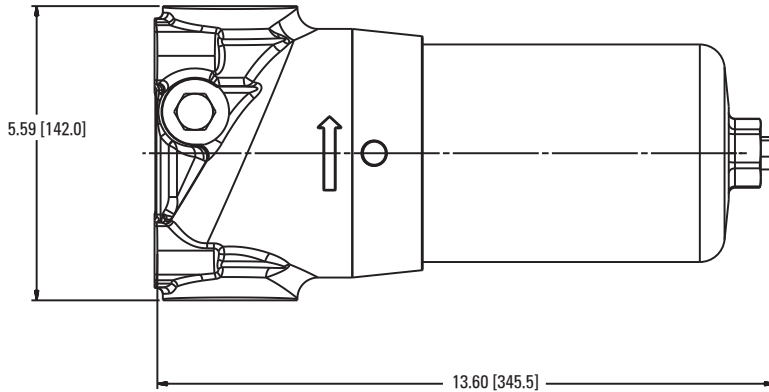
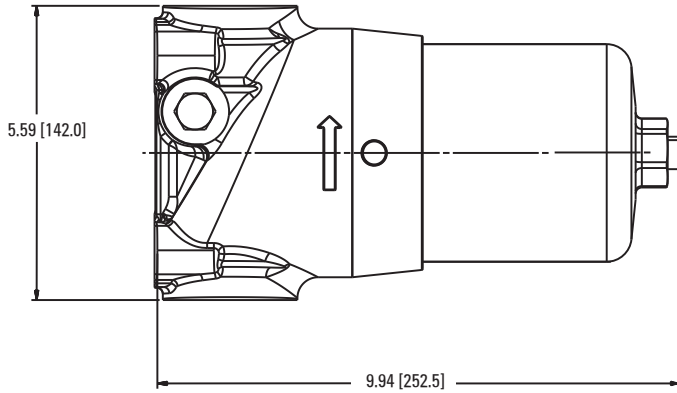
Filter Collapse Ratings

- 150 psi / 1034 kPa / 10.3 bar (standard)
- 3000 psi / 20,700 kPa / 206.8 bar (high collapse)

FPK04 Specification Illustrations

All dimensions are shown in inches [millimeters].

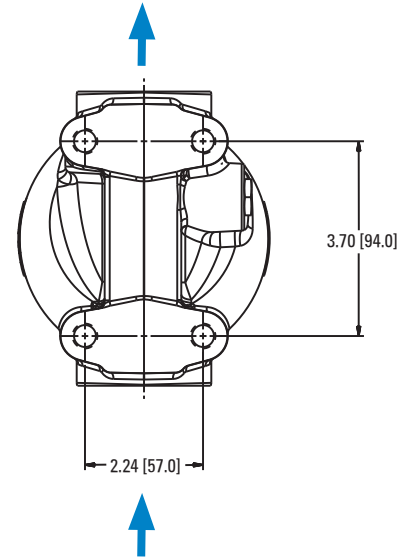
Assembly - Side View



Applications

- High Pressure Circuits
- In-Plant Systems
- Meets HF3 Specification
- Mobile Equipment
- Servo Valve Circuits

Head - Top View





FPK04

Max Flow: 100 gpm (379 lpm)



FPK04 Components

High-Performance DT Filter Choices

Media Type	$\beta_{x(c)} = 1000$ Rating based on ISO 16889	Length		Donaldson Part No.	Comments
		in	mm		
DT Synteq Synthetic	<4 μm	4.59	116.7	P566204	DT-9600-4-2UM
	5 μm	4.59	116.7	P566205	DT-9600-4-5UM
	8 μm	4.59	116.7	P566206	DT-9600-4-8UM
	12 μm	4.59	116.7	P566207	DT-9600-4-14UM
	23 μm	4.59	116.7	P566208	DT-9600-4-25UM
	5 μm	4.56	116	P566364	DT-9601-4-5UM, High collapse
	12 μm	4.56	116	P566365	DT-9601-4-14UM, High collapse
	<4 μm	8.22	208.8	P566209	DT-9600-8-2UM
	5 μm	8.22	208.8	P566210	DT-9600-8-5UM
	8 μm	8.22	208.8	P566211	DT-9600-8-8UM
	12 μm	8.22	208.8	P566212	DT-9600-8-14UM
	23 μm	8.22	208.8	P566213	DT-9600-8-25UM
	5 μm	8.19	208	P566366	DT-9601-8-5UM, High collapse
	12 μm	8.19	208	P566367	DT-9601-8-14UM, High collapse
	<4 μm	8.19	208	P567875	DX2-9600-8-2UM
	5 μm	8.23	209	P565122	DX2-9600-8-5UM
	8 μm	8.23	209	P565123	DX2-9600-8-8UM
	12 μm	8.23	209	P564936	DX2-9600-8-14UM
	<4 μm	12.91	327.8	P566214	DT-9600-13-2UM
	5 μm	12.91	327.8	P566215	DT-9600-13-5UM
	8 μm	12.91	327.8	P566216	DT-9600-13-8UM
	12 μm	12.91	327.8	P566217	DT-9600-13-14UM
	23 μm	12.91	327.8	P566218	DT-9600-13-25UM
	5 μm	12.85	326.3	P566368	DT-9601-13-5UM, High collapse
	12 μm	12.85	326.3	P566369	DT-9601-13-14UM, High collapse
	5 μm	12.87	327	P565188	DX2-9600-13-5UM
	8 μm	12.87	327	P565189	DX2-9600-13-8UM
	12 μm	12.87	327	P565187	DX2-9600-13-14UM



Filter Notes

- All Donaldson DT and DX2 filters utilize glass fiber media with an epoxy-based resin system for the ultimate in chemical compatibility.
- All Donaldson DT and DX2 filters are potted with epoxy-based adhesives.
- Standard collapse DT designs are double wire-backed using epoxy-coated steel mesh for maximum pleat support and dirt capacity.
- High collapse designs are double wire-backed using stainless steel mesh.
- High collapse designs are also potted into machined aluminum endcaps for greater filter integrity in critical applications.
- Viton® seals are standard on all Donaldson DT and DX2 filters. Viton® is a registered trademark of E. I. DuPont de Nemours and Company.
- DX2 filters utilize nylon mesh for pleat support.

Head Choices

Port Size	Bypass Rating	Indicators	Part No.
SAE-20	87 psi / 6 bar	plugged only	P568720
SAE-20	No bypass	plugged only	P568721

Housing Choices

Filter Length (in.)	Part No.
4.6"	P568722
8.2"	P568723
12.9"	P568724

Indicator Choices

Set Point / Type	Part No.
39 psi/2.7 bar ele N.O.	P165194
39 psi/2.7 bar ele N.C.	P167455

Notes

Housings include the head to housing seal.

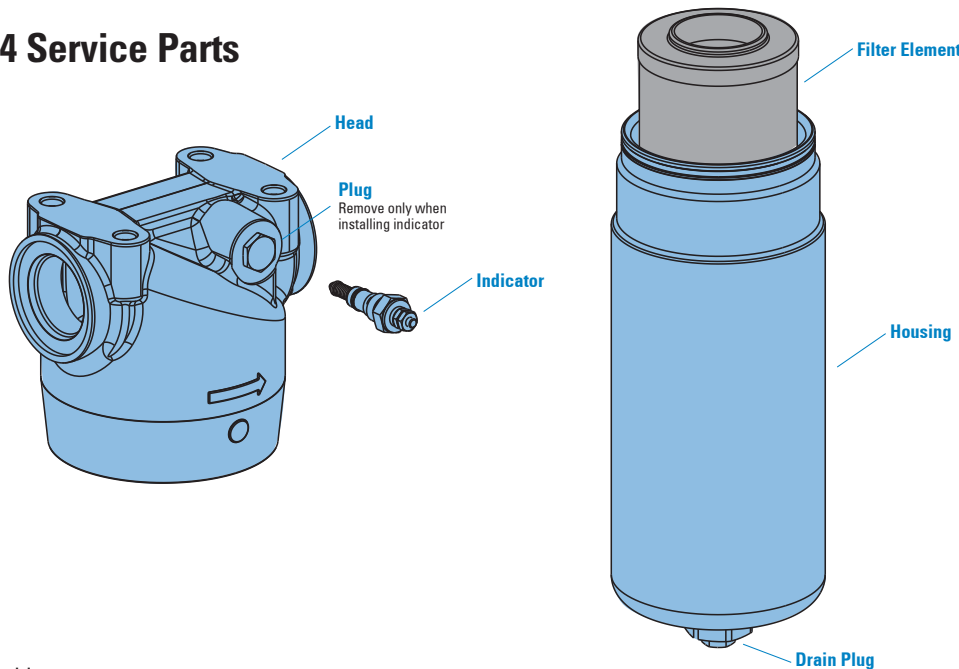
Standard Filter Choices

Media Type	$\beta_{x(c)} = 2$ Rating based on ISO 16889	$\beta_{x(c)} = 1000$	Length in mm	Donaldson Part No.	Comments
Synteq Synthetic	<4 μm		10.7 271	P167796	Viton® O-ring & square seal kit
	5 μm		4.58 116.3	P167184*	9601 Series, Viton®, High collapse
	5 μm		8.20 208.3	P167185*	9601 Series, Viton, High collapse
	5 μm		12.88 327.2	P167411*	9601 Series, Viton, High collapse
	7 μm		4.62 117.3	P169431	9600 Series
	7 μm		4.62 117.3	P164592	9600 Series
	7 μm		8.20 208.3	P167842	9600 Buna-N®
	7 μm		8.20 208.3	P164594	9600 Buna-N
	7 μm		12.93 328.4	P169432	9600 Buna-N
	7 μm		12.93 328.4	P164596	9600 Buna-N
	8 μm		12.93 328.4	P166255	9600 Viton
	9 μm		4.62 117.3	P164164	9600 Series
	9 μm		12.93 328.4	P166254	9600 Series, Viton
	9 μm		12.93 328.4	P164168	9600 Series, Buna-N
	12 μm		4.58 116.3	P167843*	9601 Series, Viton, High collapse
	12 μm		8.20 208.3	P167186*	9601 Series, Viton, High collapse
	12 μm		12.88 327.2	P167412*	9601 Series, Viton, High collapse
	23 μm		4.62 117.3	P164172	9600 Series
	23 μm		4.62 117.3	P164368	9600 Series, Viton
	23 μm		8.20 208.3	P164174	9600 Series, Buna-N
23 μm		12.93 328.4	P164176	9600 Series, Buna-N	
50 μm		8.20 208.3	P165319	9600 Series, Buna-N	
Water Absorbing	10 μm		8.20 208.3	P569528	9600 Absorbs 180 ml of water @ 25 psid
	10 μm		12.93 328.4	P569529	9600 Absorbs 220 ml of water @ 25 psid
Wire Mesh	75 μm		8.20 208.3	P162233	9600 Buna-N , Wire mesh

Filter Notes

- * Utilizes DT Synteq synthetic media
- Refer to the table in the Technical Reference Guide for fluid compatibility with our filter media.
- Some part numbers are offered with the same beta ratings to maintain customer ordering patterns.
- If you're filtering petroleum-based oil, filters with seals made of Buna-N are appropriate for most applications.
- If you're filtering diester, phosphate ester fluids, water glycol, water/oil emulsions, and HWCF over 150°F/83°C, use filters with seals made of fluorocarbon
- Donaldson "high collapse" filters, with their steel end caps and wire-backed media, are rated to withstand up to 3000 psi/ 20,700 kPa before collapsing.
- The fluorocarbon seal/high collapse filters also use epoxy potting and media seam seals for added chemical compatibility.
- Viton® is a registered trademark of E. I. DuPont de Nemours and Company. Fluorel® is a registered trademark of 3M Company.

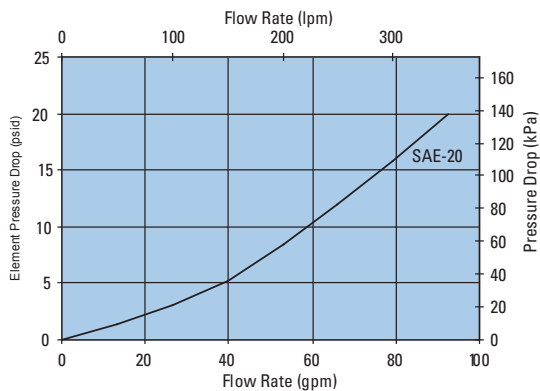
FPK04 Service Parts



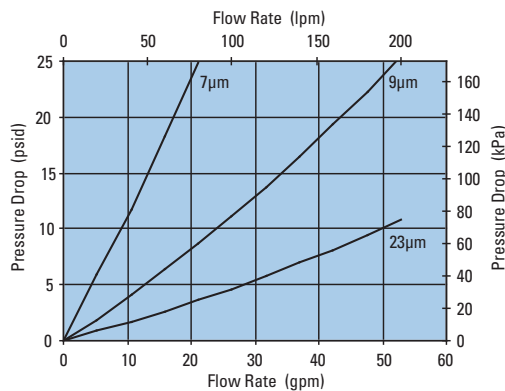


Performance Data

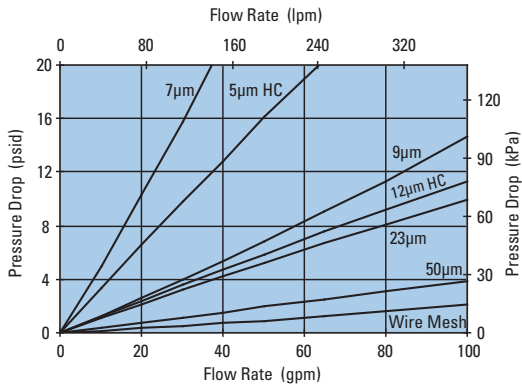
FPK04 Housing Only



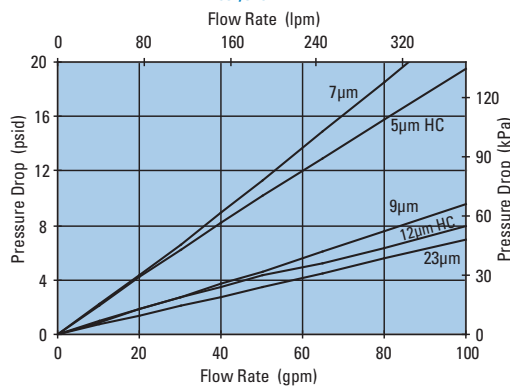
FPK04 4" Standard Filter Only
4.62"/117.3mm



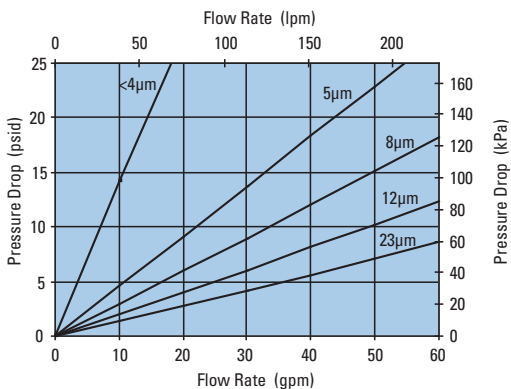
FPK04 8" Standard Filter Only
8.20"/208.3mm



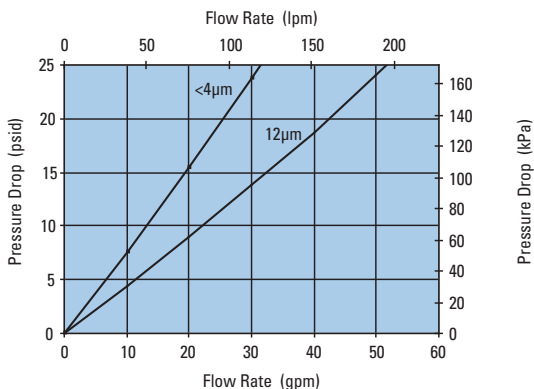
FPK04 13" Standard Filter Only
12.93"/328.4mm



FPK04 4" DT Filter Only
DT-9600-4, 4.59"/116.7mm



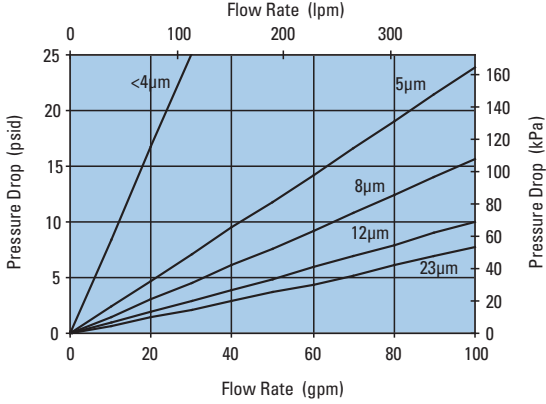
FPK04 4" DT Filter Only
DT-9601-4, 4.57"/116mm



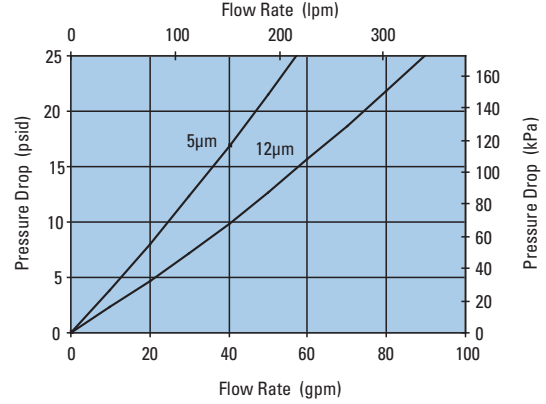


Performance Data

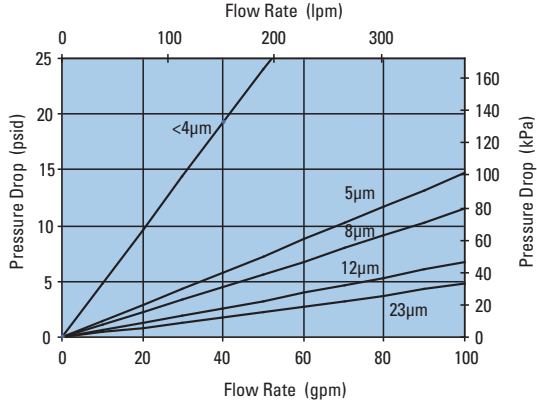
FPK04 8" DT Filter Only
DT-9600-8, 8.22"/208.8mm



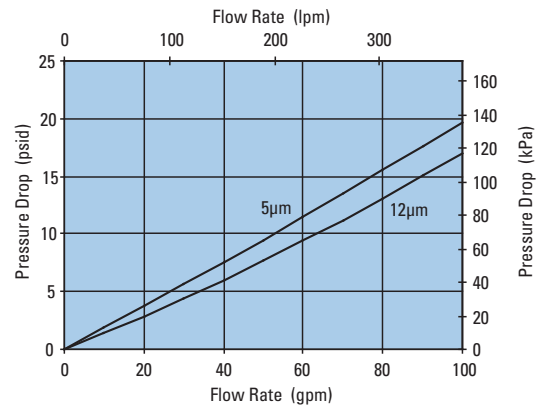
FPK04 8" DT Filter Only
DT-9601-8, 8.19"/208mm



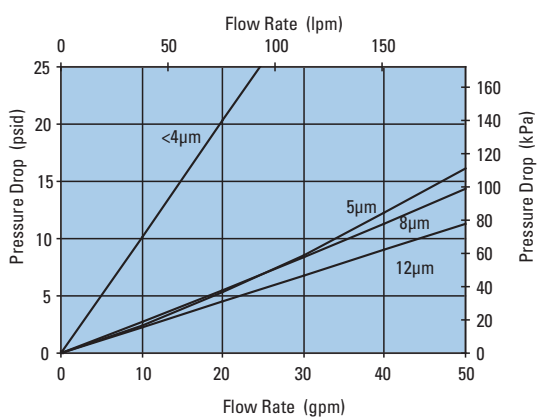
FPK04 13" DT Filter Only
DT-9600-13, 12.91"/327.8mm



FPK04 13" DT Filter Only
DT-9601-13, 12.91"/327.8mm



FPK04 8" DX2 Filter Only
DX2-9600-8, 8.22"/208.8mm



FPK04 13" DX2 Filter Only
DX2-9600-13, 12.87"/327mm

