

Pressure Filters

HF2P Series

Flows to 90 L/min (24 USgpm)
Pressures to 280 bar (4000 PSI)

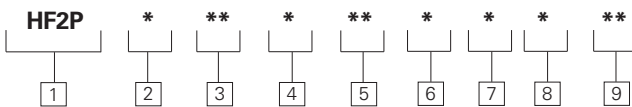


Features and Benefits

- Designed to comply with ANSI specifications and ISO cleanliness standards.
- Visual, electrical, and electrical indicators with lamp options for system design flexibility
- Conforms to HF2 automotive specifications
- Compact design for use with servo and proportional valves
- Manifold mounting option for system flexibility
- High efficiency replacement elements in standard configurations (C-Pak) to meet Target Cleanliness Levels
- High collapse elements available for non-bypass applications.

DESIGN SPECIFICATIONS

Rated flow:	Length 1	45 L/min (12 USgpm)
	Length 2	91 L/min (24 USgpm)
Fluid compatibility:	Compatible with most petroleum oil, water glycol, oil-in-water and water-in-oil fluids. Optional seals available for phosphate esters.	
Temp range:	-26°C to +121°C (-15°F to +250°F)	
Pressure rating:	Operating	280 bar (4000 PSI)
	Fatigue	280 bar (4000 PSI)
Material:	Head	Ductile iron
	Bowl	Carbon Steel
Dry weight: (Approximate)	Length 1	4,6 kg (10.1lbs)
	Length 2	5,9 kg (13.4lbs)



HF2P Series Filter and Element Model Code

Sample model code:

HF2P1SA4LNB2C05

1 Filter Series - HF2P

2 Element Collapse Rating

1 - 250 PSI Low Collapse
4 - 3000 PSI High Collapse
Note: Eaton's low pressure collapse rating have improved from 150 PSI to 250 PSI

3 Port Options

BA - G3/4 to ISO 228
SA - 1.062 - 12UN SAE-12 (3/4" tube)
WS - Subplate mounting

4 Valve Options

1 - Non-Bypass
4 - Bypass set at 43 PSI cracking pressure
6 - Bypass set at 90 PSI cracking pressure

5 Indicator Options

AN - Visual 70 PSI, No Connector
JN - No Indicator (plug), No Connector
LN - Visual 30 PSI, No Connector

ON - Visual 115 PSI, No Connector

RB - Electrical 30 PSI, Brad Harrison

RH - Electrical 30 PSI, Hirshman

RJ - Electrical 30 PSI, Hirshman w 24 volt light

RK - Electrical 30 PSI, Hirshman w 115 volt light

RL - Electrical 30 PSI, Hirshman w 230 volt light

TB - Electrical 115 PSI, Brad Harrison

TH - Electrical 115 PSI, Hirshman

TJ - Electrical 115 PSI, Hirshman w 24 volt light

TK - Electrical 115 PSI, Hirshman w 115 volt light

TL - Electrical 115 PSI, Hirshman w 230 volt light

UB - Electrical 70 PSI, Brad Harrison

UH - Electrical 70 PSI, Hirshman

UJ - Electrical 70 PSI, Hirshman w 24 volt light

UK - Electrical 70 PSI, Hirshman w 115 volt light

UL - Electrical 70 PSI, Hirshman w 230 volt light

6 Seal Material

B - Buna-N
V - Viton-A

7 Assembly Length

mm (inch)
1 - 211.9 (8.3)
2 - 304.9 (12.0)

8 Element Construction

C - 250 PSI Low Collapse
H - 3000 PSI High Collapse

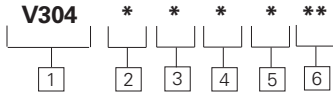
9 Fluid Cleanliness Rating

Code	Target fluid cleanliness level
03	16/14/12 or better
05	18/16/14 or better
10	20/18/15 or better
20	22/19/16 or better

Pressure Filters

HF2P Series

Flows to 90 L/min (24 USgpm)
Pressures to 280 bar (4000 PSI)



V304 Element Model Code

Sample model code:

V3041B1C05

1 Filter Element

V304 - For use with HF2P series filters

2 Element Collapse Rating

1 - 250 PSI (C-Pak only)
5 - 3000 PSI (H-Pak only)
NOTE: Use 1 only with bypass valve or monitored P indicator.

3 Seal Material

B - Buna-N
V - Viton-A

4 Element Length

mm (inch)
1 - 101 (4)
2 - 203 (8)

5 Element Construction

C - C-Pak (grade 3, 5, 10, 20)
H - H-Pak (grade 3, 5, 10)

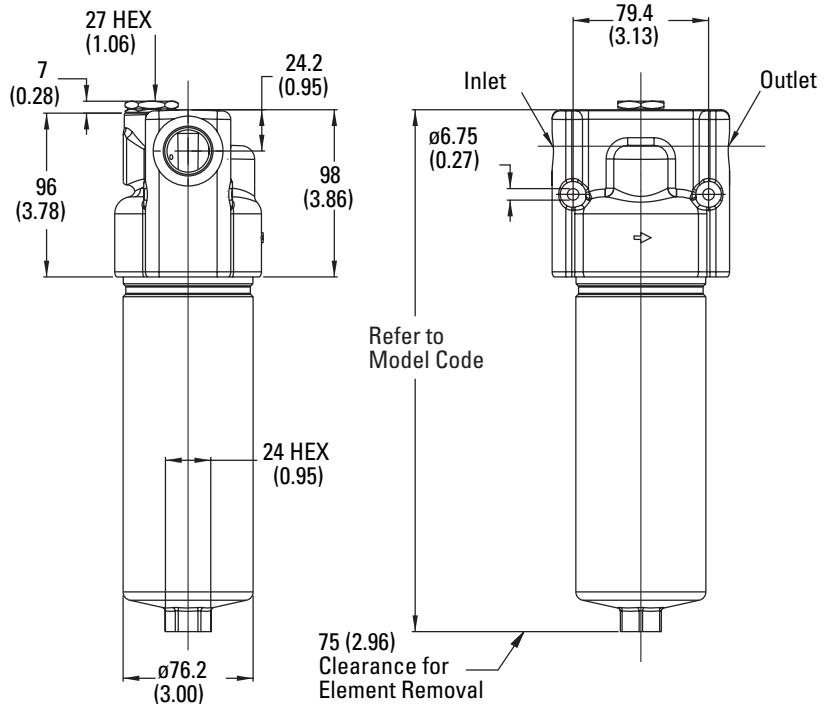
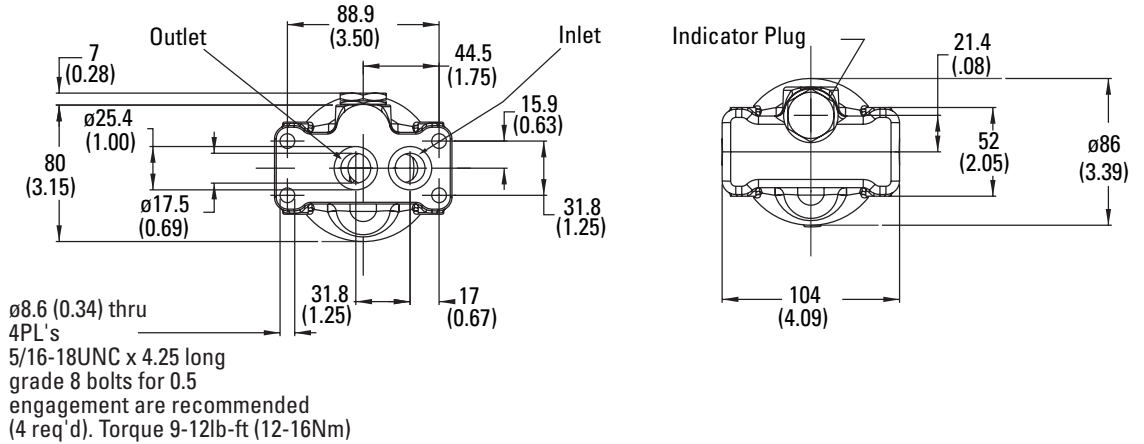
6 Fluid Cleanliness Ratings

Code	Target fluid cleanliness level
03	16/14/12 or better
05	18/16/14 or better
10	20/18/15 or better
20	22/19/16 or better

Housing Dimensions

mm (inch)

Subplate Mounting



Items not in bold are non-standard and may have a longer lead time

Pressure Filters

Flows to 90 L/min (24 USgpm)
Pressures to 280 bar (4000 PSI)

HF2P Series

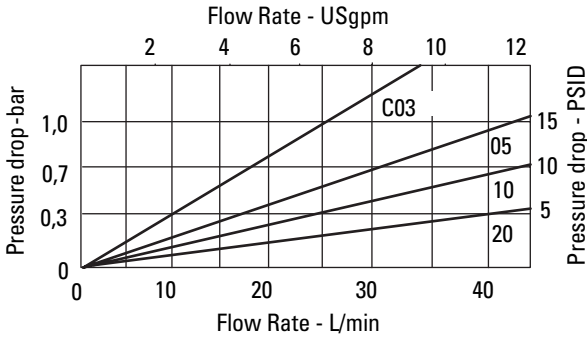
Flow Data

Flow versus pressure drop:

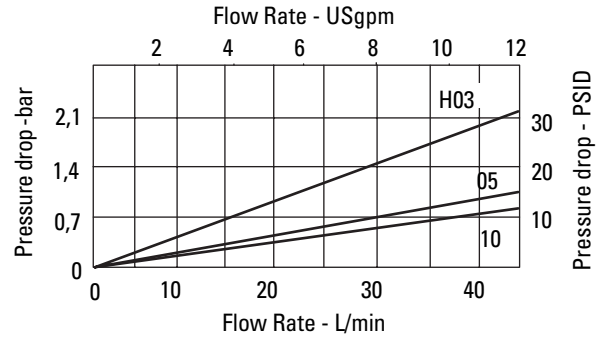
150 SUS (32 cSt) oil with specific gravity of ≤ 0.9

Element Flow Data

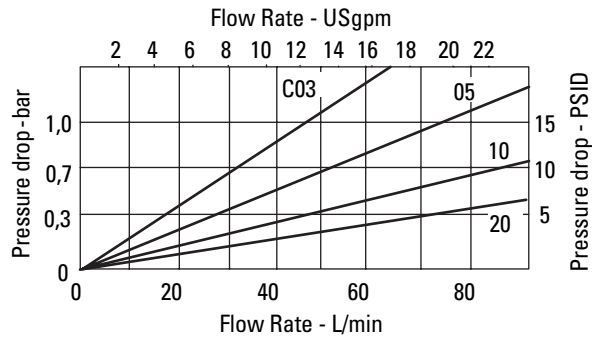
HF2P C-Pak Length 1



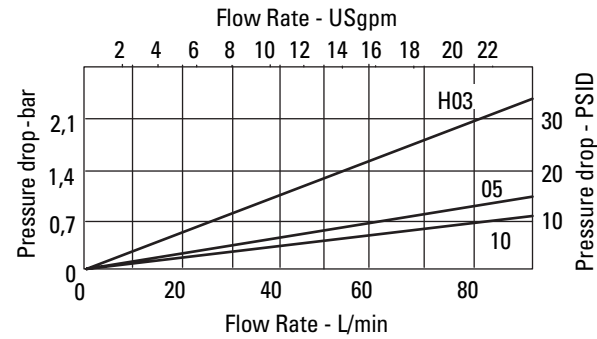
HF2P H-Pak Length 1



HF2P C-Pak Length 2

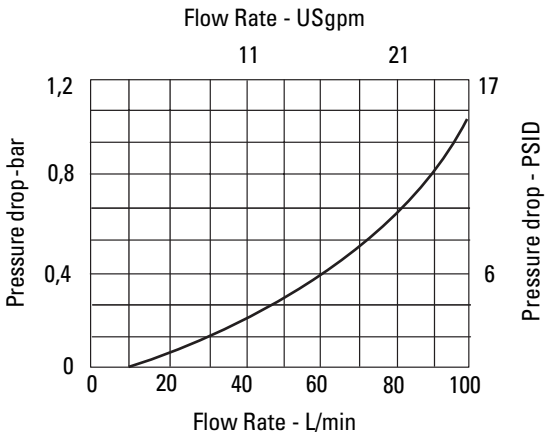


HF2P H-Pak Length 2



Housing/Bypass Valve Flow Data

Housing



Bypass Valve

