

# Pressure Filters

## HF4P Series

Flows to 570 L/min (150 USgpm)  
Pressures to 345 bar (5000 PSI)



### Features and Benefits

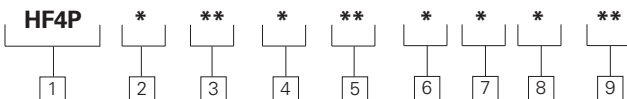
- Designed to comply with ANSI specifications and ISO cleanliness standards.
- Visual, electrical, and electrical indicators with lamp options for system design flexibility
- Conforms to HF4 specifications
- Fatigue rated to 5000 PSI for maximum reliability in rugged applications
- Top loading design to ease maintenance and minimize spillage
- Multiple filter element lengths for design flexibility.
- High efficiency replacement elements in standard configurations (C-Pak) to meet Target Cleanliness Levels
- High collapse elements available for non-bypass applications.

### Series Filter and Element Model Code

Sample model code:  
HF4P1SD4LNB6C05

### DESIGN SPECIFICATIONS

<b>Rated flow:</b>	Length 3	189 L/min (50 USgpm)
	Length 6	379 L/min (100 USgpm)
	Length 7	568 L/min (150 USgpm)
<b>Fluid compatibility:</b>	Compatible with most petroleum oil, water glycol, oil-in-water and water-in-oil fluids. Optional seals available for phosphate esters.	
<b>Temp range:</b>	-26°C to +121°C (-15°F to +250°F)	
<b>Pressure rating:</b>	Operating	345 bar (5000 PSI)
	Fatigue	345 bar (5000 PSI)
<b>Material:</b>	Head	Ductile Iron
	Bowl	Carbon Steel
	Lid	Ductile Iron
<b>Dry weight:</b> (Approximate)	Length 3	28,8 kg (63.4 lbs)
	Length 6	38,7 kg (85.3 lbs)
	Length 7	51,5 kg (113.6 lbs)



#### 1 Filter Series - HF4P

#### 2 Element Collapse Rating

- 1 - 150 PSI Low Collapse
- 4 - 3000 PSI High Collapse

#### 3 Port options

- BD - G1½ to ISO 228
- ME - 1½" SAE 4 bolt Flange Code 61 (M12 x 1.75)
- MR - 1½" SAE 4 bolt Flange Code 62 (M16 x 2.0)
- SD - 1.875 - 12 UN SAE-24 str. Thd. (1½" tube)
- FE - 1½" SAE 4 bolt Flange Code 61 (UNC)
- FR - 1½" SAE 4 bolt Flange Code 62 (UNC)
- WS - Subplate mounting

#### 4 Valve options

- 1 - Non-Bypass
- 4 - Bypass set at 43 PSI cracking pressure
- 6 - Bypass set at 90 PSI cracking pressure

#### 5 Indicator options

- AN - Visual 70 PSI, No Connector
- LN - Visual 30 PSI, No Connector
- JN - No Indicator (plug), No Connector
- RB - Electrical 30 PSI, Brad Harrison
- RJ - Electrical 30 PSI, Hirshman w/ 24 volt light
- RK - Electrical 30 PSI, Hirshman w/ 115 volt light
- RL - Electrical 30 PSI, Hirshman w/ 230 volt light
- RH - Electrical 30 PSI, Hirshman
- TB - Electrical 115 PSI, Brad Harrison
- TJ - Electrical 115 PSI, Hirshman w/ 24 volt light
- TK - Electrical 115 PSI, Hirshman w/ 115 volt light
- TL - Electrical 115 PSI, Hirshman w/ 230 volt light
- TH - Electrical 115 PSI, Hirshman
- UB - Electrical 70 PSI, Brad Harrison

- UJ - Electrical 70 PSI, Hirshman w/ 24 volt light
- UK - Electrical 70 PSI, Hirshman w/ 115 volt light
- UL - Electrical 70 PSI, Hirshman w/ 230 volt light
- UH - Electrical 70 PSI, Hirshman

#### 6 Seal material

- B - Buna-N
- V - Viton-A

#### 7 Assembly Length

- mm (inch)
- 3 - 447 (17.6)
- 6 - 685.3 (27)
- 7 - 923.5 (36.4)

#### 8 Element construction

- C - 150 PSI Low Collapse
- H - 3000 PSI High Collapse

#### 9 Fluid cleanliness rating

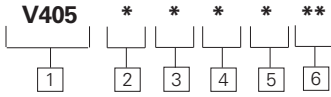
Code	Target fluid cleanliness level
03	16/14/12 or better
05	18/16/14 or better
10	20/18/15 or better
20	22/19/16 or better

Items not in bold are non-standard and may have a longer lead time

# Pressure Filters

## HF4P Series

Flows to 570 L/min (150 USgpm)  
Pressures to 345 bar (5000 PSI)



### V405 Element model code

(Meets HF4 Standard)

### Sample model code:

V4051B3C03

**1** Filter Element - V405

**2** Element Collapse Rating

**1** - 150 PSI  
**4** - 3000 PSI High Collapse  
NOTE: Use 1 only with bypass valve or monitored delta P indicator.

**3** Seals

**B** - Buna-N  
**V** - Viton-A

**4** Element Length

mm (inch)  
**3** - 229 (9)  
**6** - 457 (18)  
**7** - 686 (27)

**5** Element Construction

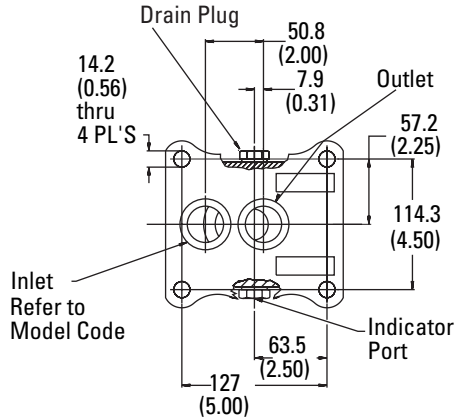
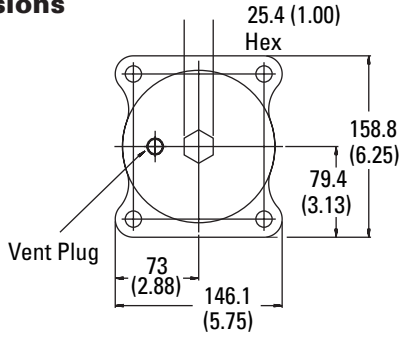
**C** - C-Pak (grade 3, 5, 10, 20)  
**H** - H-Pak (grade 3, 5, 10)

**6** Fluid Cleanliness Rating

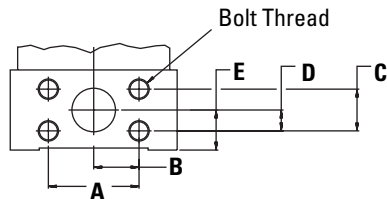
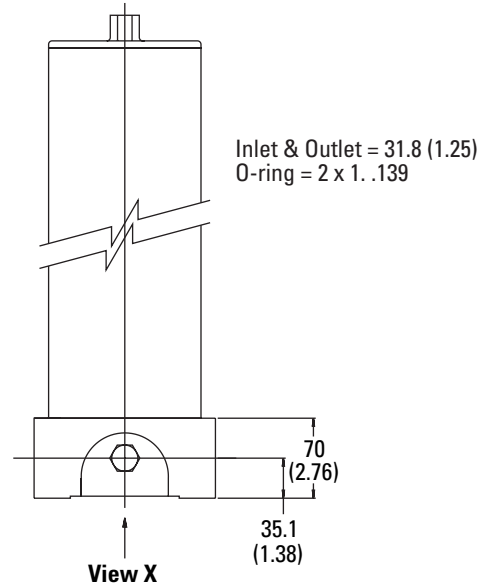
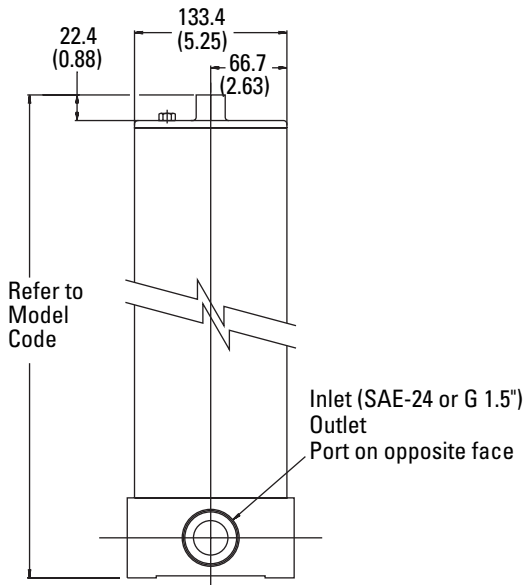
Code	Target fluid cleanliness level
<b>03</b>	<b>16/14/12</b>
<b>05</b>	<b>18/16/14</b>
<b>10</b>	<b>20/18/15</b>
<b>20</b>	<b>22/19/16</b>

### Housing Dimensions

mm (inch)



View X - Subplate Mounting



	A	B	C	D	E
	mm(inch)	mm(inch)	mm(inch)	mm(inch)	mm(inch)
ME	69.8 (2.75)	37.9 (1.375)	35.7 (1.406)	17.9 (.703)	35.1 (1.38)
MR	79.3 (3.125)	39.4 (1.56)	36.5 (1.437)	18.2 (.718)	35.1 (1.38)
FE	69.8 (2.75)	37.9 (1.375)	35.7 (1.406)	17.9 (.703)	35.1 (1.38)
FR	79.3 (3.125)	39.4 (1.56)	36.5 (1.437)	18.2 (.718)	35.1 (1.38)

Items not in bold are non-standard and may have a longer lead time

# Pressure Filters

Flows to 570 L/min (150 USgpm)  
Pressures to 345 bar (5000 PSI)

## HF4P Series

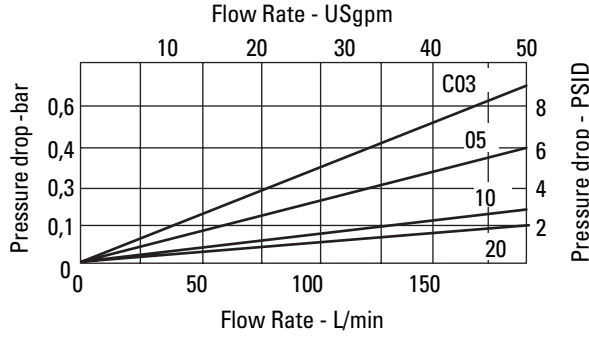
### Flow Data

#### Flow versus pressure drop:

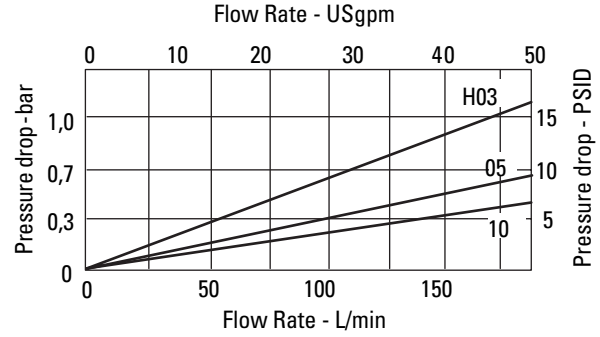
150 SUS (32 cSt) oil with specific gravity of  $\leq 0.9$

### Element Flow Data

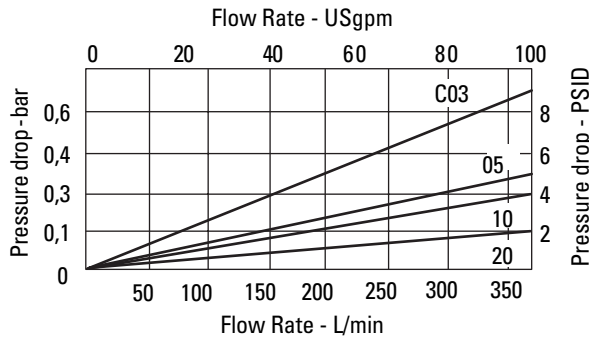
**HF4P C-Pak Element Length 3**



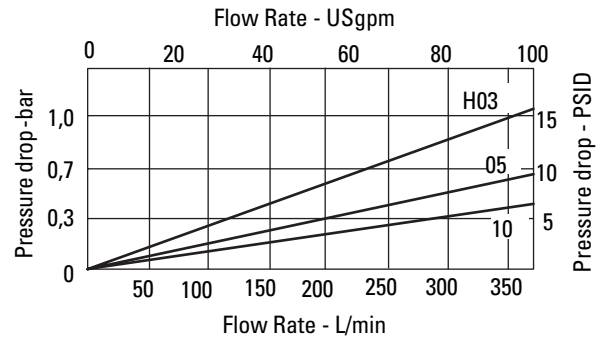
**HF4P H-Pak Element Length 3**



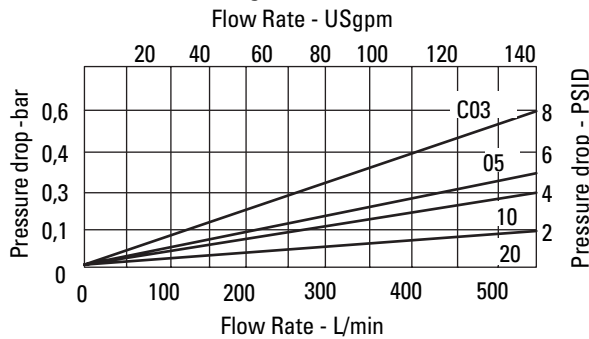
**HF4P C-Pak Element Length 6**



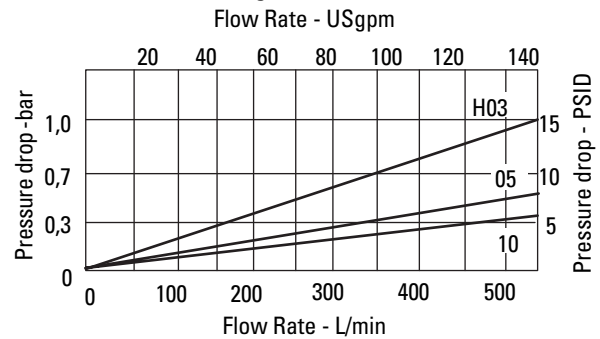
**HF4P H-Pak Element Length 6**



**HF4P C-Pak Element Length 7**

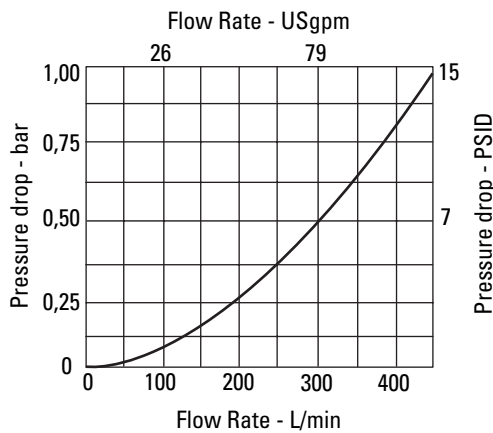


**HF4P H-Pak Element Length 7**



### Housing/Bypass Valve Flow Data

#### Housing



#### Bypass Valve

