



HMK03

Max Flow: 25 gpm (95 lpm)



HMK03 DURAMAX® Spin-On Filters

Working Pressures to: 1000 *psi*
6895 kPa
69 bar

Rated Static Burst to: 2000 *psi*
13790 kPa
138 bar

Flow Range to: 25 *gpm*
95 *lpm*



Features

HMK03 Series Duramax® spin-on filters offer twice the capacity of competitive filters, yet they are physically smaller than traditional housing/cartridge filter assemblies. It features a die cast aluminum head and a unique radial seal O-ring gasket design that eliminates leakage.

Take advantage of Donaldson's mix and match system of in-stock heads, housings and media choices – so you can get exactly what you need. A full range of media options are available, using Donaldson's exclusive Synteq™ synthetic media designed especially for liquid filtration. You can also select the exact indicator types and bypass options to suit your application.

Beta Rating

- Performance to $\beta_{7(c)}=1000$

Porting Size Option

- SAE-12 O-ring

Assembly Weight

- Short: 3.3 lbs / 1.5 kg
- Long: 4.2 lbs / 1.9 kg

Replacement Filter Lengths

- 5.5" / 140mm
- 9.5" / 242mm

Standard Bypass Ratings

- No Bypass
- 50 psi / 345 kPa / 3.5 bar

Operating Temperatures

- -20°F to 250°F / -29°C to 121°C

Housing Fatigue Strength Ratings*

- 100,000 Cycles: 0-1000 *psi* / 0-6895 kPa / 68 bar
- 300,000 Cycles: 0-800 *psi* / 0-5516 kPa / 55 bar
- 1,000,000 Cycles: 0-700 *psi* / 0-4826 kPa / 48 bar

*Per T3.10.17 NFPA

Filter Collapse Rating

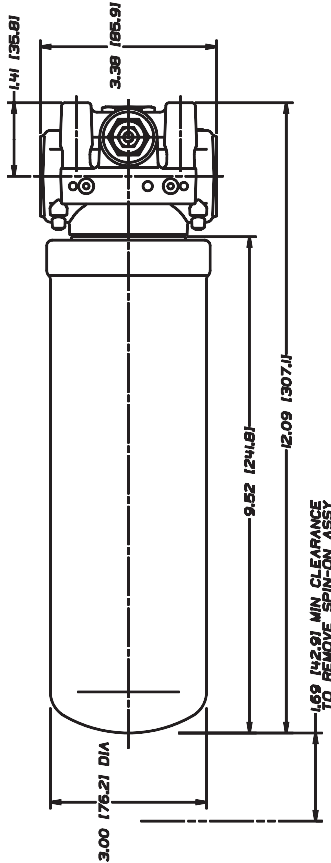
- 290 psid / 20 bar

HMK03 Specification Illustrations

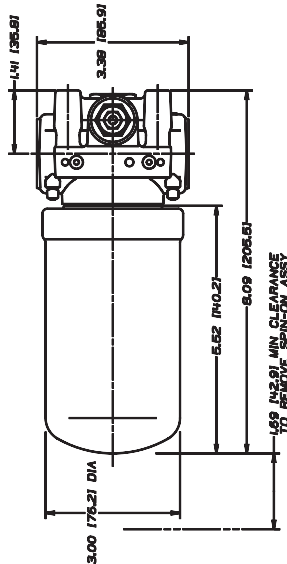
All dimensions are shown in inches [millimeters].

Assembly - Side Views

Long Assembly

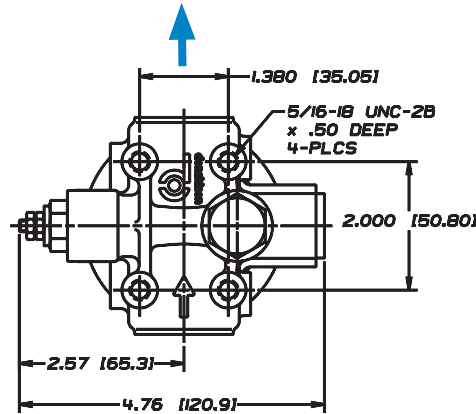


Short Assembly

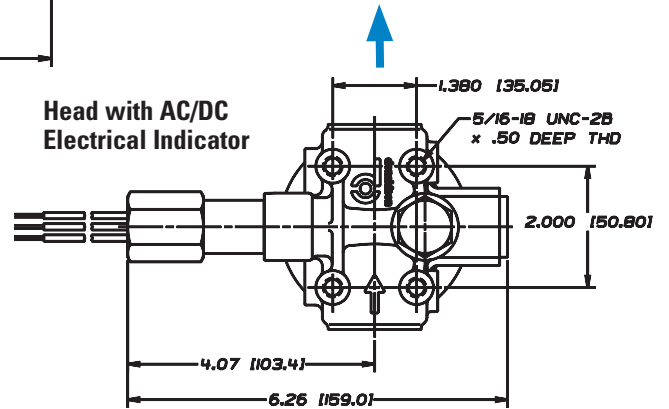


Head - Top View with Indicators

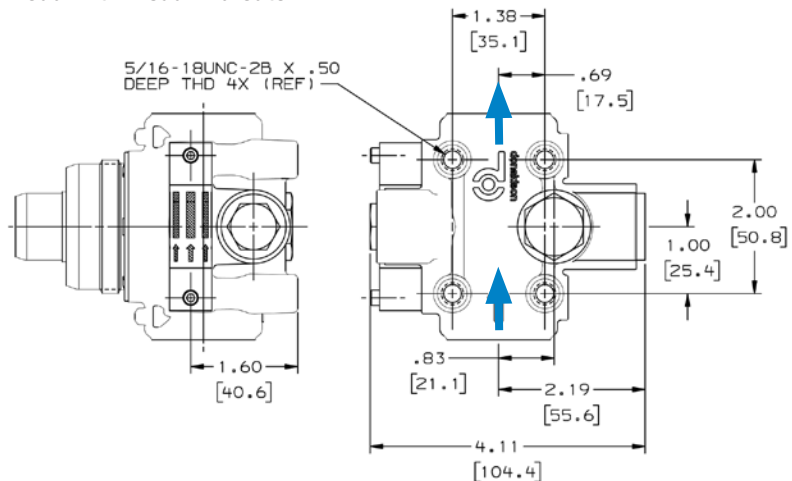
Head with DC Electrical Indicator



Head with AC/DC Electrical Indicator



Head with Visual Indicator



Applications

- Hydrostatic Charge Pumps
- Hydrostatic Transmission
- Pilot Control Circuits
- Refrigeration Compressor Circuits



HMK03

Max Flow: 25 gpm (95 lpm)



HMK03 Components

Filter Choices

Media Type	$\beta_{x(c)} = 1000$ Rating based on ISO 16889	Length		Donaldson Part No.	Comments
		in	mm		
Synteq Synthetic	7 μ m	5.5	140	P170306	Buna-N®
	7 μ m	5.5	140	P170308	Buna-N
	7 μ m	9.5	242	P170307	Buna-N
	7 μ m	9.5	242	P170309	Buna-N
	9 μ m	5.5	140	P170310	Buna-N
	9 μ m	9.5	242	P176107	Buna-N
	9 μ m	9.5	242	P173702	Buna-N
	9 μ m	9.5	242	P170311	Buna-N
	23 μ m	5.5	140	P170312	Buna-N
	23 μ m	9.5	242	P170313	Buna-N

Filter Notes

- Synteq™ filter media is compatible with petroleum based fluids, most phosphate esters, water oil emulsions, and HWCF (high water content fluids)
- Some part numbers are offered with the same beta ratings to maintain customer ordering patterns.
- All models have 2"-12 threads
- Buna-N® is a registered trademark of E. I. DuPont de Nemours and Company.



HMK03 Head

Port Size	Bypass Rating	Indicator	Head Part No.
SAE-12 O-Ring	No Bypass	None*	P170327
		None* 345 kPa	P170773
	50 psi	Visual*	P179460

*Head is machined to accept optional electrical indicators. See Indicator list at right for the available choices.

Oil Service Indicator Choices

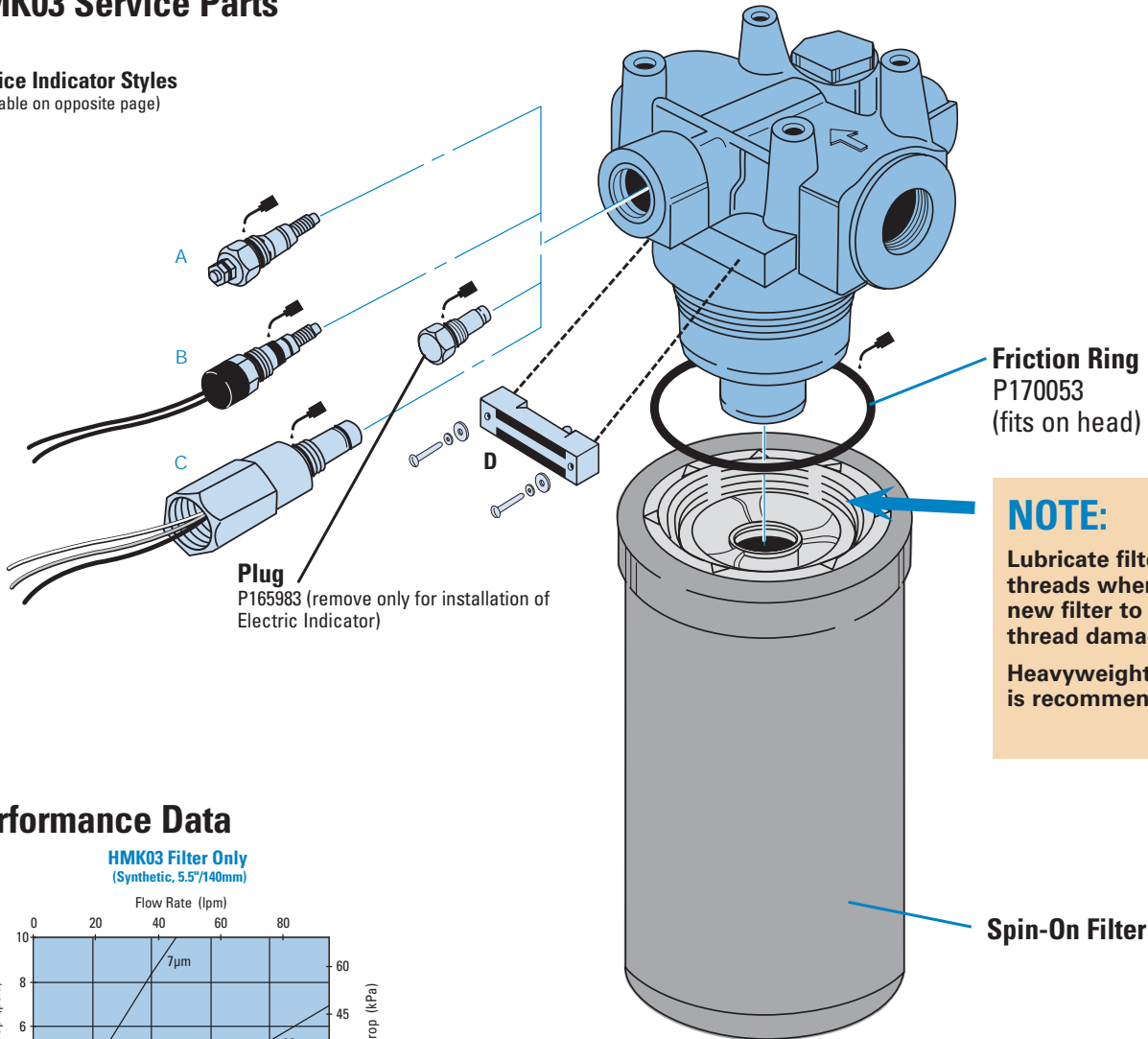
Use with Bypass Valve Pressure of:	Part No.	Style ²	Description ¹
25 psi / 172.5 kPa	P171143	B	Electric 2-wire DC
	P173944	C	Electric 3-wire AC/DC
	P165965	D	Visual
50 psi / 345 kPa	P165194	A	Electric Single post DC
	P171087	B	Electric 2-wire DC
	P174396	C	Electric 3-wire AC/DC

¹ All electric models have a maximum operating temperature of 250°F/121°C.

² See illustration of indicator styles on next page and complete details for all parts in the service indicators portion of the accessories section.

HMK03 Service Parts

Service Indicator Styles
(See table on opposite page)



Performance Data

