

Spin-on Filters

HS22 Series

Flows to 450 L/min (120 USgpm)
Pressures to 14 bar (200 PSI)

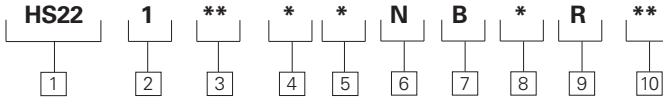


Features and Benefits

- Designed to comply with ANSI specifications and ISO cleanliness standards.
- Dual flow path design maximizes flow capability and service life.
- Spin-on element make servicing fast and easy
- High efficiency replacement elements in standard configurations (R-Pak) to meet Target Cleanliness Levels

DESIGN SPECIFICATIONS

Rated flow:	Length 1	227 L/min (60 USgpm)
	Length 2	454 L/min(120 USgpm)
Fluid compatibility	Compatible with most petroleum oil, water glycol, oil-in-water and water-in-oil fluids	
Temp range:	-32°C to +107°C (-25°F to +225°F)	
Pressure rating:	Operating	14 bar (200 PSI)
Material:	Head	Aluminum
Dry weight:	Length 1	7.3 kg (16 lbs)
	Length 2	8.6 kg (19 lbs)



HS22 Series Filter and Element Model Code

Sample model code:
HS221SD32NB2R05

1 Filter Series - HS22

2 Element Collapse Rating

1 - 150 PSI Low Pressure

3 Port options

BD - G1-1/2 to ISO 228

ME - 1-1/2" SAE 4 bolt Flange

Code 61 (M12 x 1.75)

SD - 1.875 - 12 UN sae-24 str.

Thd (1-1/2 tube)

FE - 1-1/2" SAE 4 bolt Flange

Code 61 (UNC)

4 Valve options

3 - Bypass set at 25 PSI cracking pressure

4 - Bypass set at 50 PSI cracking pressure

5 Indicator options

1 - No indicator

2 - 200 PSI gauge

4 - 60 PSI gauge

6 Receptical

N - None

7 Seal material

B - Buna-N

8 Assembly Length

mm (inch)

1 - 253 (10)

2 - 355 (14)

9 Element construction

R - Standard construction (grade 3, 5, 10, 20)

10 Fluid cleanliness rating

Code **Target fluid cleanliness level**

03 16/14/12 or better

05 18/16/14 or better

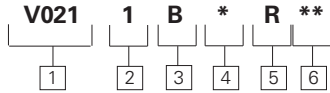
10 20/18/15 or better

20 22/19/16 or better

Spin-on Filters

HS22 Series

Flows to 450 L/min (120 USgpm)
Pressures to 14 bar (200 PSI)



V021 Element Model Code

Sample model code:
VO211B2R05

1 Filter Element

V021 - Filter element for use with HS22 and OFRS-60 series filters (R-Pak construction only)

2 Element collapse rating

1 - 150 PSI Low Pressure

3 Seal material

B - Buna-N

4 Element Length

mm (inch)
1 - 184 (7)
2 - 286 (11)

5 Element construction

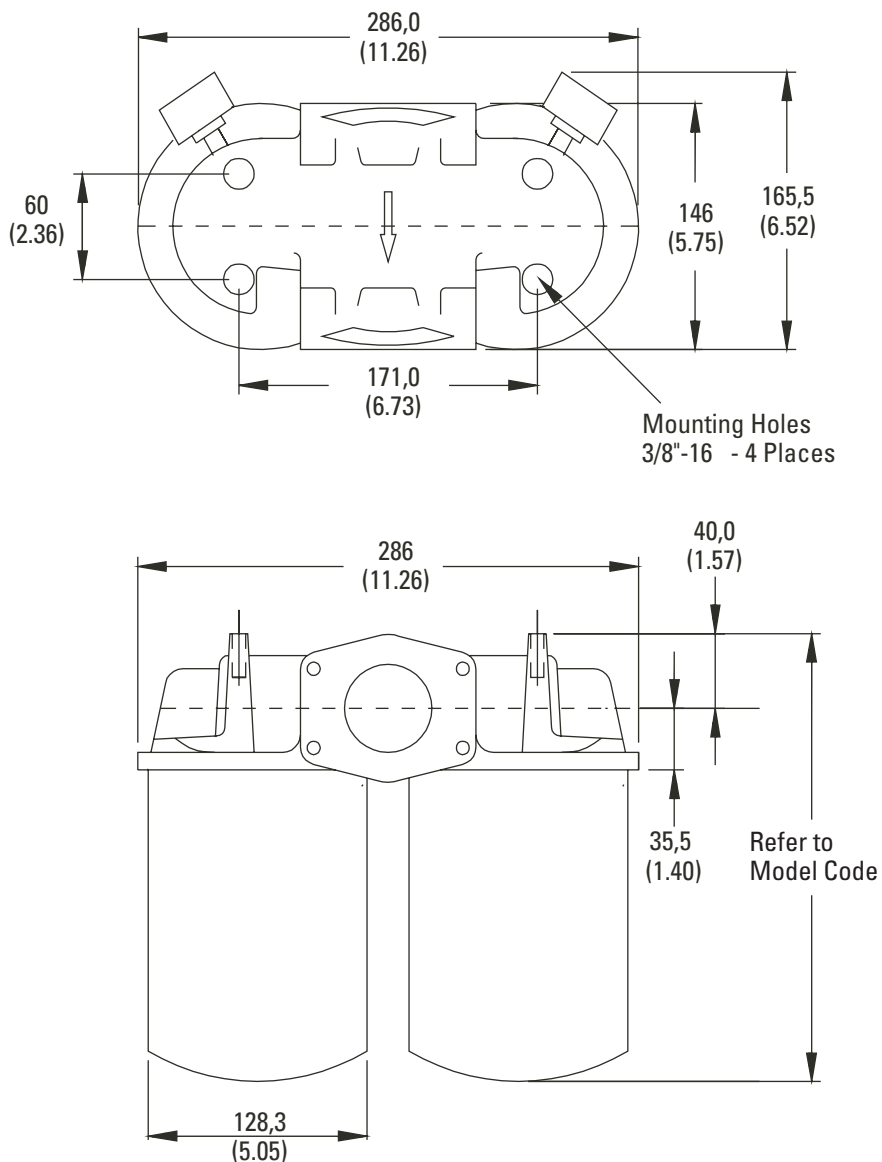
R - R-Pak (grade 3,5,10,20)

6 Fluid cleanliness rating

Code	Target fluid cleanliness level	Element construction
03	16/14/12	R-Pak
05	18/16/14	R-Pak
10	20/18/15	R-Pak
20	22/19/16	R-Pak

Housing Dimensions

mm (inch)



Items not in bold are non-standard and may have a longer lead time

Spin-on Filters

HS22 Series

Flow Data

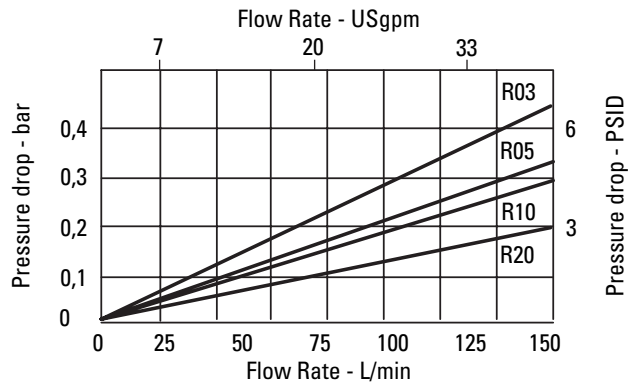
Flows to 450 L/min (120 USgpm)
Pressures to 14 bar (200 PSI)

Flow versus pressure drop:

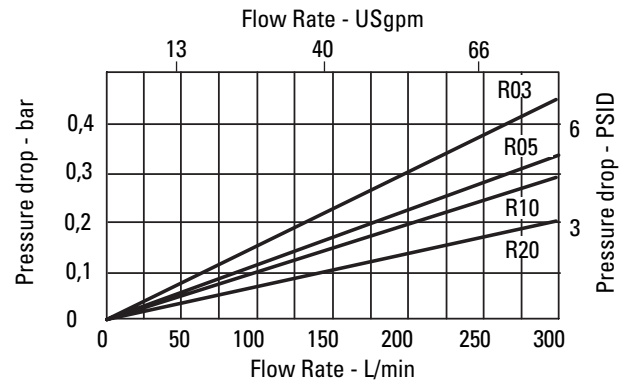
150 SUS (32 cSt) oil with specific gravity of ≤ 0.9

Element Flow Data

HS22 R-Pak Element Length 1

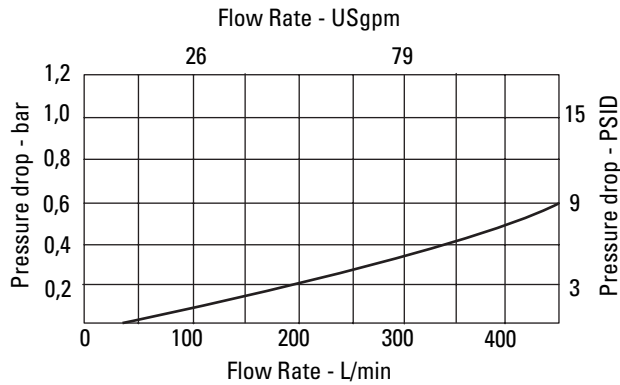


HS22 R-Pak Element Length 2



Housing/Bypass Valve Flow Data

Housing



Bypass Valve

