

Return Line Filters

HV6R Series

Flows to 1700 L/min (450 USgpm)
Pressures to 25 bar (360 PSI)

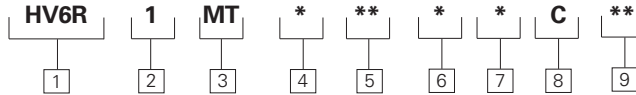


Features and Benefits

- Designed to comply with ANSI specifications and ISO cleanliness standards.
- Easy to remove cap to facilitate element change and minimize spillage.
- Vent and drain ports to facilitate maintenance and system start-up.
- Delta P visual, electrical, and electrical indicators with lamp options for system design flexibility.
- High efficiency replacement elements in standard configurations (C-Pak).

DESIGN SPECIFICATIONS

Rated flow:	Length 5	1300 L/min (343 USgpm)
	Length 8	1700 L/min (450 USgpm)
Fluid compatibility:	Compatible with most petroleum oil, oil-in-water and water-in-oil fluids. Optional seals available for phosphate esters.	
Temp range:	-30°C to *121°C (-22°F to *250°F)	
Pressure rating:	Operating	25 bar (360 PSI)
	Fatigue	25 bar (360 PSI)
Material:	Head, Housing, Lid Aluminum	
Dry weight: (Approximate)	Length 5	17 kg (37 lbs)
	Length 8	23 kg (50 lbs)



HV6R Series Filter and Element Model Code

Sample model code:

HV6R1MT4RLB8C05

1 Filter Series - HV6R

2 Element Collapse Rating

1 - 250 PSI Low Collapse

3 Port Options

MT - 4" SAE 4 Bolt Flange with Metric threads (M16 bolts provided)

4 Valve Options

- 1 - Non-Bypass
- 2 - Bypass set at 25 PSI cracking pressure
- 4 - Bypass set at 43 PSI cracking pressure

5 Indicator Options

- AN - Visual 70 PSI, No Connector
- KN - Visual 15 PSI, No Connector
- LN - Visual 30 PSI, No Connector

JN - No Indicator (plug), No Connector

RB - Electrical 30 PSI, Brad Harrison

RJ - Electrical 30 PSI, Hirshman w 24 volt light

RK - Electrical 30 PSI, Hirshman w 115 volt light

RL - Electrical 30 PSI, Hirshman w 230 volt light

RH - Electrical 30 PSI, Hirshman

UB - Electrical 70 PSI, Brad Harrison

UJ - Electrical 70 PSI, Hirshman w 24 volt light

UK - Electrical 70 PSI, Hirshman w 115 volt light

UL - Electrical 70 PSI, Hirshman w 230 volt light

UH - Electrical 70 PSI, Hirshman

6 Seal Material

- B - Buna-N
- V - Viton-A

7 Assembly Length

- mm (inch)
- 5 - 606 (23.9)
- 8 - 1045 (41.1)

8 Element Construction

- C - Standard Construction

9 Fluid Cleanliness Rating

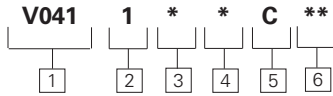
Code	Target fluid cleanliness level
03	16/14/12 or better
05	18/16/14 or better
10	20/18/15 or better
20	22/19/16 or better

Items not in bold are non-standard and may have a longer lead time

Return Line Filters

HV6R Series

Flows to 1100 L/min (300 USgpm)
Pressures to 25 bar (350 PSI)



V041 Element Model Code

Sample model code:

V0411B5L03

1 Filter element

V041 - For use with HV6R series housings

2 Element collapse rating

1 - 250 PSI Low Collapse

3 Seal material

B - Buna-N
V - Viton-A

4 Element length

mm (inch)
5 - 406 (16)
8 - 990 (39)

5 Element construction

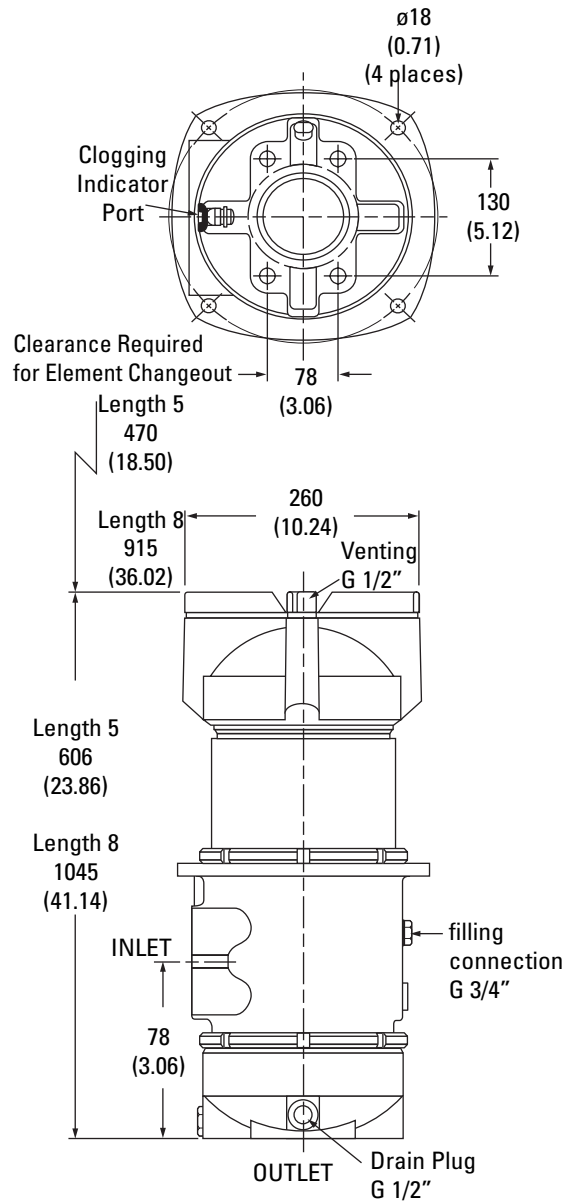
C - C-Pak (grade 3, 5, 10, 20)

6 Fluid cleanliness rating

Code	Target fluid cleanliness level
03	16/14/12 or better
05	18/16/14 or better
10	20/18/15 or better
20	22/19/16 or better

Housing Dimensions

mm (inch)



Items not in bold are non-standard and may have a longer lead time

Return Line Filters

HV6R Series

Flow Data

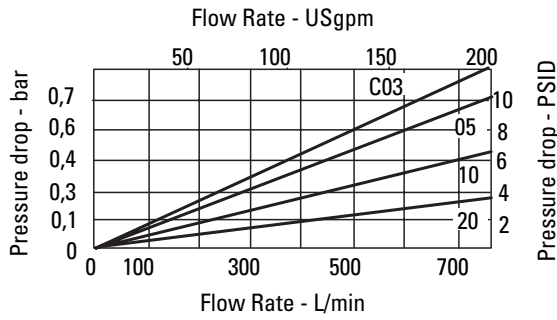
Flows to 1100 L/min (300 USgpm)
Pressures to 25 bar (350 PSI)

Flow versus pressure drop:

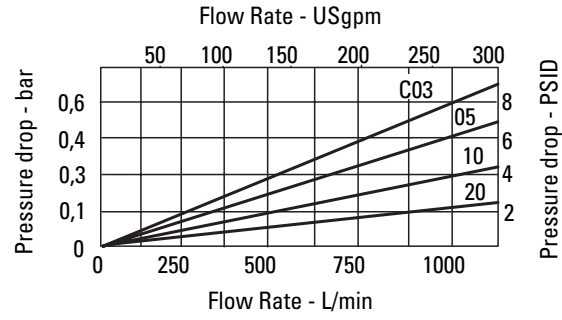
150 SUS (32 cSt) oil with specific gravity of ≤ 0.9

Element Flow Data

HV6R C-Pak Length 5

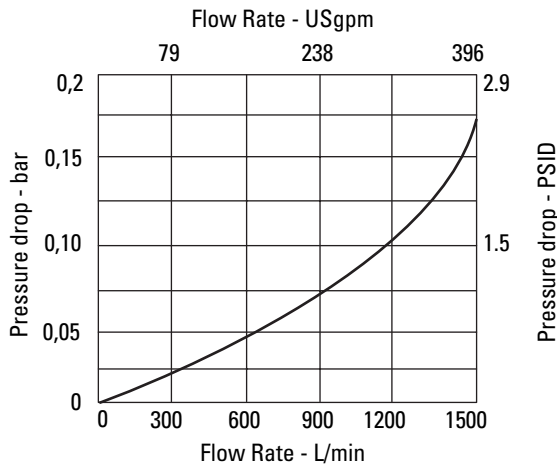


HV6R C-Pak Length 8



Housing/Bypass Valve Flow Data

Housing



Bypass Valve

