

Pressure Filters

LND

Flows to 400 L/min (105 USgpm)
Pressures to 25 bar (360 PSI)

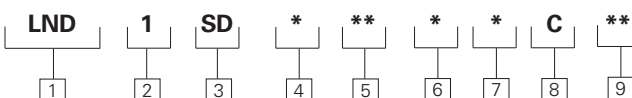


Features and Benefits

- Lightweight duplex filter constructed of aluminum.
- Aluminum alloy is water tolerant - anodization is not required for high water based fluids (HWBF).
- The screw-in bowl allows the filter element to be easily removed for replacement or cleaning.
- The standard model is supplied with vent and drain plugs, and also a connection for differential clogging indicator.

DESIGN SPECIFICATIONS

Rated flow:	Length 1	160 L/min (42 USgpm)
	Length 2	250 L/min (66 USgpm)
	Length 4	400 L/min (105 USgpm)
Fluid compatibility:	Compatible with all petroleum oils and synthetic fluids rated for use with Fluoro-Rubber or Ethylene Propylene seals.	
Temp range:	-30°C to + 121°C (-22°F to 250°F)	
Pressure rating:	Operating	25 bar (360 PSI)
	Fatigue	25 bar (360 PSI)
Material:	Aluminum	
Dry weight: (Approximate)	Length 1	10,3 kg (22.7 lbs)
	Length 2	11,6 kg (25.6 lbs)
	Length 4	13,0 kg (28.7 lbs)



LND Series Filter and Element Model Code

Sample model code:

LND1SD1ANV2C05

1 Filter Series - LND

2 Element Collapse Rating

1 - 250 PSI Low Collapse

3 Port Options

SD - SAE-24 -1-1/2"

4 Valve Options

- 1 - Non-Bypass
- 4 - Bypass set at 43 PSI cracking pressure
- 7 - Bypass set at 102 PSI cracking pressure

5 Indicator Options

- AN - Visual 70 PSI, No Connector
- JN - No Indicator (plug), No Connector
- LN - Visual 30 PSI, No Connector
- RB - Electrical 30 PSI, Brad Harrison
- RH - Electrical 30 PSI, Hirshman

- RJ - Electrical 30 PSI, Hirshman w 24 volt light
- RK - Electrical 30 PSI, Hirshman w 115 volt light
- RL - Electrical 30 PSI, Hirshman w 230 volt light
- UB - Electrical 70 PSI, Brad Harrison
- UH - Electrical 70 PSI, Hirshman
- UJ - Electrical 70 PSI, Hirshman w 24 volt light
- UK - Electrical 70 PSI, Hirshman w 115 volt light
- UL - Electrical 70 PSI, Hirshman w 230 volt light

6 Seal Material

V - Viton-A

7 Assembly Length

- mm (inch)
- 1 - 297 (11.7")
- 2 - 375 (14.8")
- 4 - 525 (20.7")

8 Element Construction

C - Standard Construction

9 Fluid Cleanliness Rating

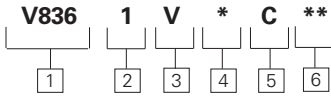
Code	Target fluid cleanliness level
03	16/14/12 or better
05	18/16/14 or better
10	20/18/15 or better
20	22/19/16 or better

Items not in bold are non-standard and may have a longer lead time

Pressure Filters

LND

Flows to 400 L/min (105 USgpm)
Pressures to 25 bar (360 PSI)



Element model code

Sample model code:

V8361V1C05

1 Filter Element - V836

2 Element Collapse Rating

1 - 250 PSI Low Collapse

3 Seal Material

V - Viton-A

4 Assembly Length

mm (inch)

1 - 297 (11.7)

2 - 375 (14.8)

4 - 525 (20.7)

5 Element Construction

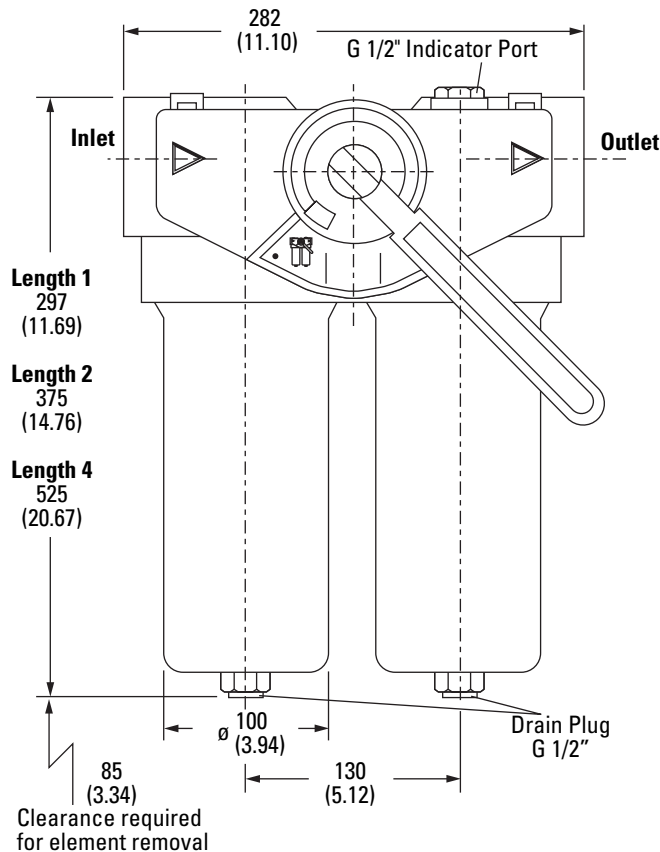
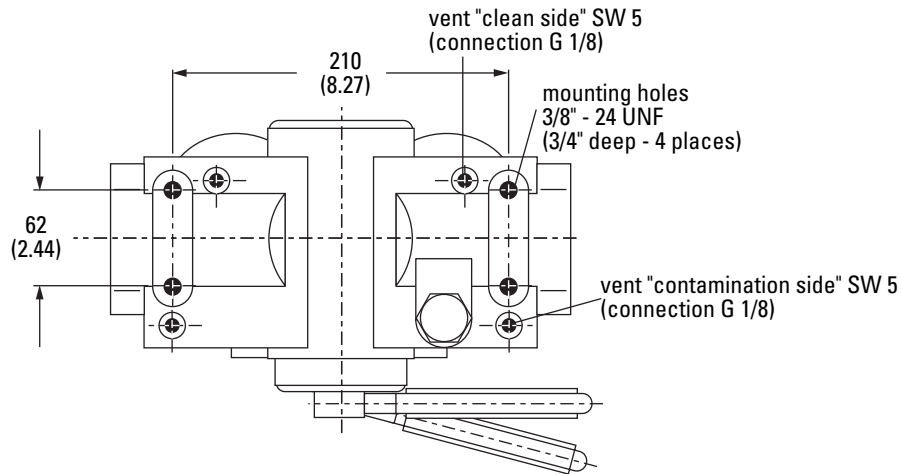
C - Standard Construction

6 Fluid Cleanliness Rating

Code	Target fluid cleanliness level
03	16/14/12 or better
05	18/16/14 or better
10	20/18/15 or better
20	22/19/16 or better

Housing Dimensions

mm (inch)



Items not in bold are non-standard and may have a longer lead time

Pressure Filters

Flows to 400 L/min (105 USgpm)
Pressures to 25 bar (360 PSI)

LND

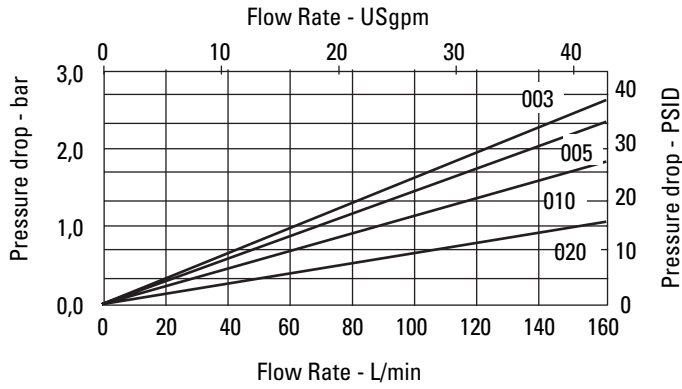
Flow Data

Flow versus pressure drop:

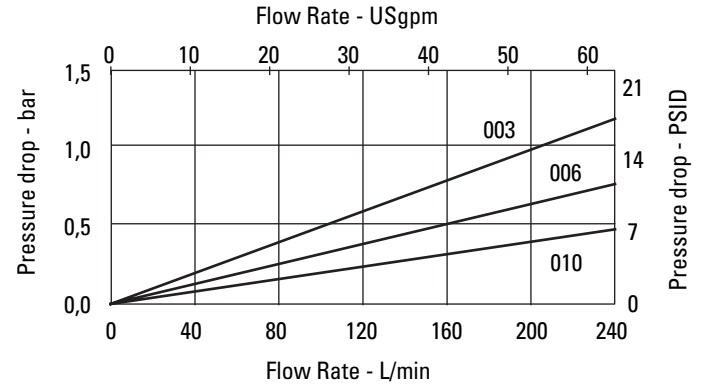
150 SUS (32 cSt) oil with specific gravity of ≤ 0.9

Element Flow Data

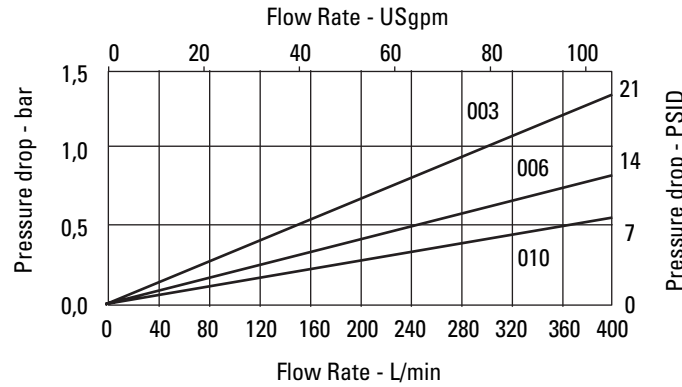
LND C-pak Element Length 1



LND C-pak Element Length 2



LND C-pak Element Length 4



Housing/Bypass Valve Flow Data

