

Pressure Filters

LV2P Series

Flows to 110 L/min (29 USgpm)
Pressures to 100 bar (1500 PSI)

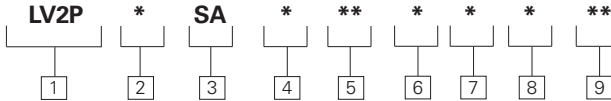


Features and Benefits

- Designed to comply with ANSI specifications and ISO cleanliness standards.
- Visual, electrical, and electrical indicators with lamp options for system design flexibility.
- Poppet type by-pass valve construction.
- High efficiency replacement elements in standard configurations (C-Pak) to meet Target Cleanliness Levels.
- High collapse elements available for non-bypass applications.

DESIGN SPECIFICATIONS

Rated flow:	Length 3	60 L/min (16 USgpm)
	Length 6	110 L/min (29 USgpm)
Fluid compatibility:	Compatible with most petroleum oil, oil-in-water and water-in-oil fluids. Optional seals available for phosphate esters.	
Temp range:	-26°C to +121°C (-15°F to +250°F)	
Pressure rating:	Operating	100 bar (1500 PSI)
	Fatigue	100 bar (1500 PSI)
Material:	Head	Aluminum
	Bowl	Aluminum
Dry weight: (Approximate)	Length 3	1,5 kg (3.3 lbs)
	Length 6	1,8 kg (4.0 lbs)



LV2P Series Filter Assembly Model Code

Sample model code:

LV2P1SA4LNB3C05

1 Filter Series - LV2P

2 Element Collapse Rating

- 1** - 250 PSI Low Collapse
4 - 1500 PSI High Collapse

3 Port Options

SA - 1.062 - 12UN SAE-12
(3/4" tube)

4 Valve Options

- 1** - Non-Bypass
4 - Bypass set at 43 PSI
cracking pressure
6 - Bypass set at 90 PSI
cracking pressure

5 Indicator Options

- AN** - Visual 70 PSI,
No Connector
LN - Visual 30 PSI,
No Connector
JN - No Indicator (plug),
No Connector
RB - Electrical 30 PSI,
Brad Harrison
RJ - Electrical 30 PSI,
Hirshman w 24 volt light
RK - Electrical 30 PSI,
Hirshman w 115 volt light
RL - Electrical 30 PSI,
Hirshman w 230 volt light
RH - Electrical 30 PSI,
Hirshman
UB - Electrical 70 PSI,
Brad Harrison
UJ - Electrical 70 PSI,
Hirshman w 24 volt light
UK - Electrical 70 PSI,
Hirshman w 115 volt light
UL - Electrical 70 PSI,
Hirshman w 230 volt light
UH - Electrical 70 PSI,
Hirshman

6 Seal Material

- B** - Buna-N
V - Viton-A

7 Assembly Length

- mm (inch)
3 - 187 (7.36)
6 - 254 (10.0)

8 Element Construction

- C** - C-Pak (grade 3, 5, 10, 20)
H - H-Pak (grade 3, 5, 10)

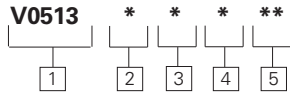
9 Fluid Cleanliness Rating

Code	Target fluid cleanliness level
03	16/14/12 or better
05	18/16/14 or better
10	20/18/15 or better
20	22/19/16 or better

Pressure Filters

LV2P Series

Flows to 110 L/min (29 USgpm)
Pressures to 100 bar (1500 PSI)



V0513 Element Model Codes

Sample model code:
V0513B6C05

1 Filter Element

V0513 - For use with LV2P series housings

2 Seal Material

B - Buna-N
V - Viton-A

3 Element Length

mm (inch)
3 - 140 (5.51)
6 - 207 (8.15)

4 Element Construction

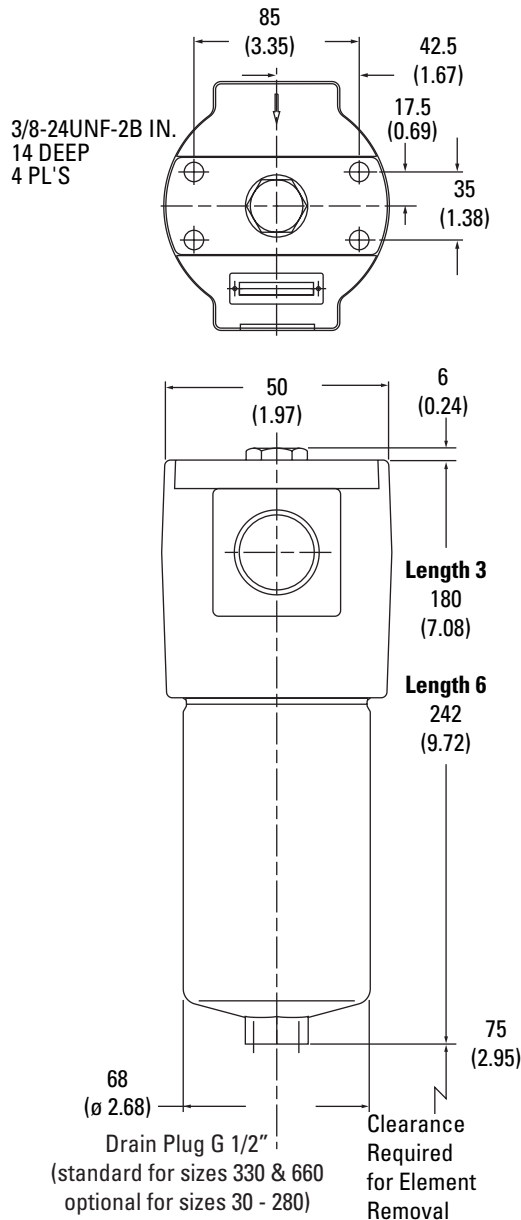
C - C-Pak (grade 3, 5, 10, 20)
H - H-Pak (grade 3, 5, 10)

5 Fluid Cleanliness Ratings

Code	Target fluid cleanliness level
03	16/14/12 or better
05	18/16/14 or better
10	20/18/15 or better
20	22/19/16 or better

Housing Dimensions

mm (inch)



Items not in bold are non-standard and may have a longer lead time

Pressure Filters

Flows to 110 L/min (29 USgpm)
Pressures to 100 bar (1500 PSI)

LV2P Series

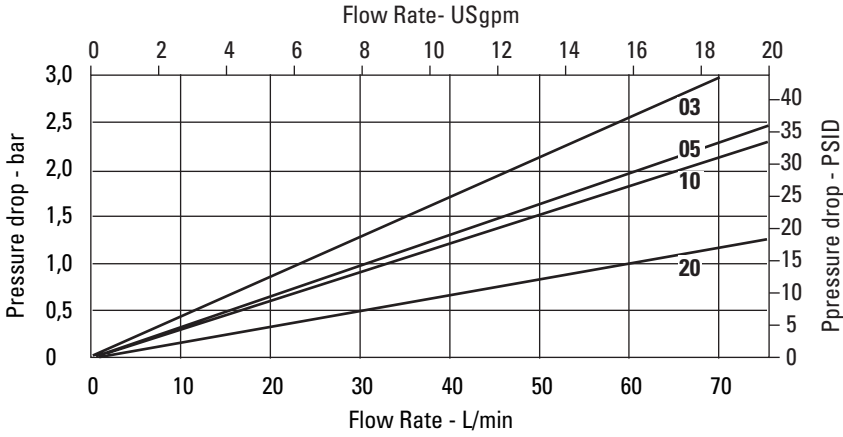
Flow Data

Flow versus pressure drop:

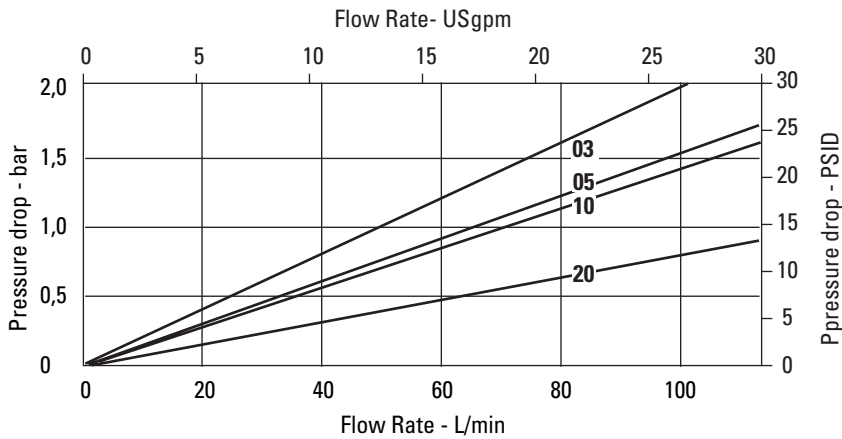
150 SUS (32 cSt) oil with specific gravity of ≤ 0.9

Element Flow Data

LV2P C-Pak Element Length 3

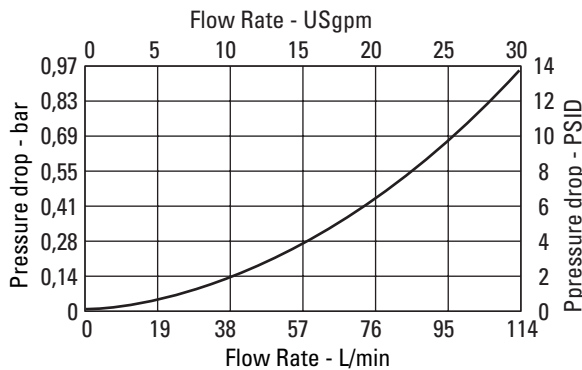


LV2P C-Pak Element Length 6



Housing/Bypass Valve Flow Data

Housing



Bypass Valve

