

Pressure Filters

MF2P Series

Flows to 113.5 L/min (30 USgpm)
Pressures to 275.5 bar (4000 PSI)

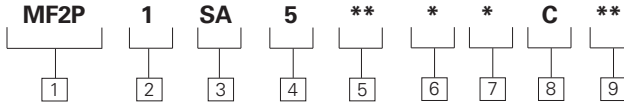


Features and Benefits

- Designed to comply with ANSI specifications and ISO cleanliness standards.
- Visual, electrical, and electrical indicators with lamp options for system design flexibility.
- High efficiency replacement elements in standard configurations (C-Pak) to meet Target Cleanliness Levels.
- Poppet type leak by-pass valve construction.

DESIGN SPECIFICATIONS

Rated flow:	Length 5	68 L/min (18 USgpm)
	Length 7	113.5 L/min (30 USgpm)
Fluid compatibility:	Compatible with most petroleum oil, oil-in-water and water-in-oil fluids. Optional seals available for phosphate esters.	
Temp range:	-26°C to +121°C (-15°F to +250°F)	
Pressure rating:	Operating	276 bar (4000 PSI)
	Fatigue	276 bar (4000 PSI)
Material:	Head	Ductile iron
	Bowl	Steel
Dry weight: (Approximate)	Length 5	3,9 kg (8.3 lbs)
	Length 7	4,5 kg (9.9 lbs)



MF2P Series Filter Assembly Model Code

Sample model code:
MF2P1SA5UNB5C05

1 Filter Series - MF2P

2 Element Collapse Rating

1 - 250 PSI Low Collapse

3 Port Options

SA - 1.062 - 12UN SAE-12
(3/4" tube)

4 Valve Options

5 - Bypass set at 100 PSI
(7 bar) cracking pressure

5 Indicator Options

AN - Visual 70 PSI,
No Connector

JN - No Indicator (plug),
No Connector

UB - Electrical 70 PSI,
Brad Harrison

UJ - Electrical 70 PSI,
Hirshman w 24 volt light

UK - Electrical 70 PSI,
Hirshman w 115 volt light

UL - Electrical 70 PSI,
Hirshman w 230 volt light

UH - Electrical 70 PSI,
Hirshman

6 Seal Material

B - Buna-N

V - Viton-A

7 Assembly Length

mm (inch)

5 - 210 (8.27)

7 - 263 (10.36)

8 Element Construction

C - 250 PSI Low Collapse

9 Fluid Cleanliness Rating

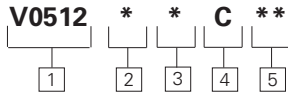
Code	Target fluid cleanliness level
03	16/14/12 or better
05	18/16/14 or better
10	20/18/15 or better
20	22/19/16 or better

Items not in bold are non-standard and may have a longer lead time

Pressure Filters

MF2P Series

Flows to 113.5 L/min (30 USgpm)
Pressures to 275.5 bar (4000 PSI)



V0512 Element Model Codes

Sample model code:

V0512B5C05

1 Filter Element

V0512 - For use with MF2P series housings

2 Seal Material

B - Buna-N
V - Viton-A

3 Element Length

mm (inch)
5 - 117 (5)
7 - 169 (7)

4 Element Construction

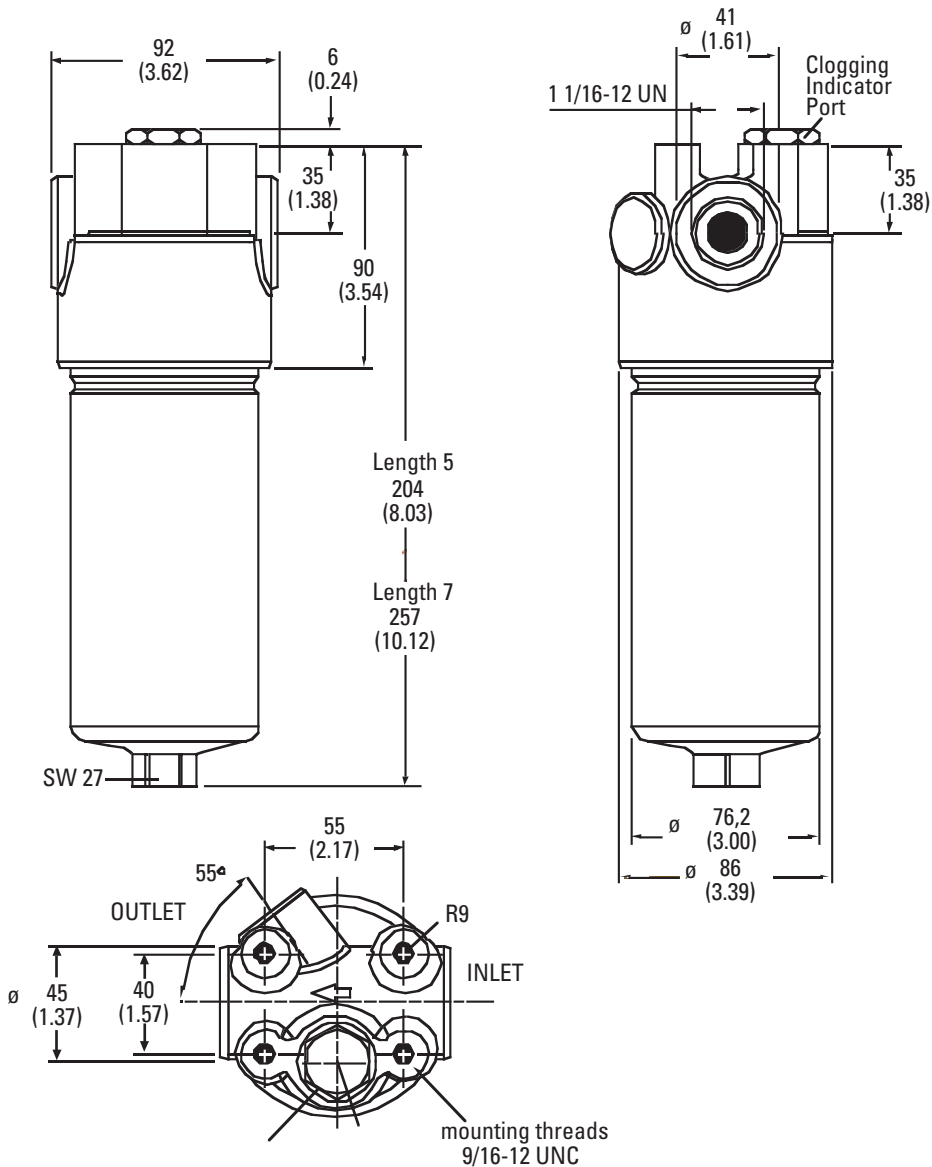
C - C-Pak (grade 3, 5, 10, 20)

9 Fluid Cleanliness Rating

Code	Target fluid cleanliness level
03	16/14/12 or better
05	18/16/14 or better
10	20/18/15 or better
20	22/19/16 or better

Housing Dimensions

mm (inch)



Items not in bold are non-standard and may have a longer lead time

Pressure Filters

Flows to 113.5 L/min (30 USgpm)
Pressures to 275.5 bar (4000 PSI)

MF2P Series

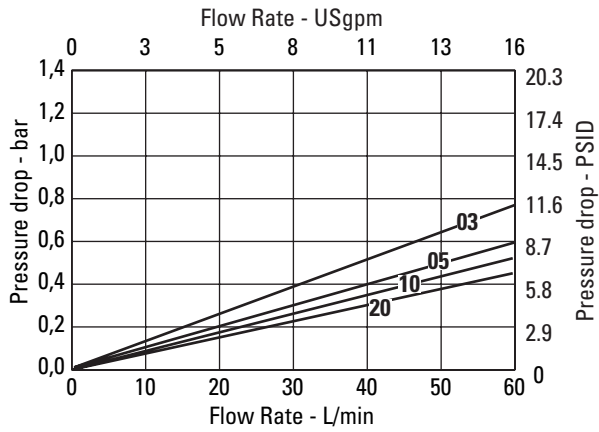
Flow Data

Flow versus pressure drop:

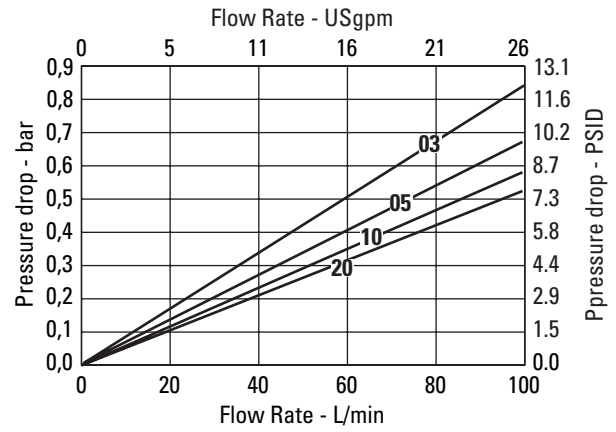
150 SUS (32 cSt) oil with specific gravity of ≤ 0.9

Element Flow Data

MF2P Length 5

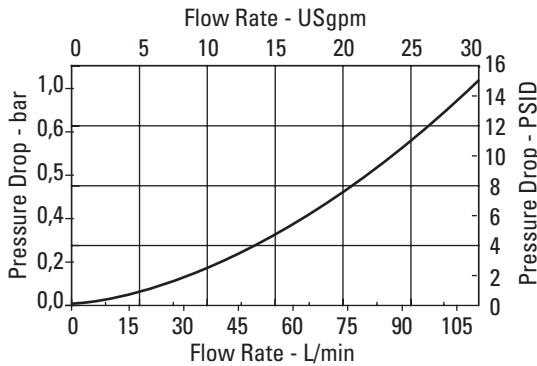


MF2P Length 7



Housing/Bypass Valve Flow Data

Housing



Bypass

