

In-tank Filters

OFMT020 Series

Flows to 50 L/min (13.2 USgpm)
Pressures to 7 bar (100 PSI)

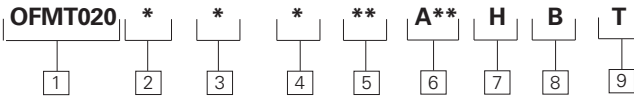


Features and Benefits

- High efficiency filter elements with superior dirt-holding capacity designed for return lines and installed semi-immersed in a reservoir.
- Excellent pressure drop characteristics.
- P indicator options for flexibility in system design.
- Bowl length options for design flexibility.
- Easy element changes.
- Bypass valve prevents excessive pressure drop and prevents element collapse and release of retained contaminant's back into hydraulic system.
- Designed to comply with ISO standards

DESIGN SPECIFICATIONS

Rated flow:	Length 1	30 L/min (7.9 USgpm)
	Length 2	35 L/min (9.2 USgpm)
	Length 3	50 L/min (13.2 USgpm)
Fluid compatibility:	Compatible with most petroleum oil, water glycol, oil-in-water and water-in-oil fluids	
Temp range:	-25°C to +110°C (-13°F to +230°F)	
Pressure rating:	Operating	7 bar (100 PSI)
	Fatigue	7 bar (100 PSI)
Material:	Head	Die Cast Aluminum
	Cover	Nylon
	Bowl	Nylon
Dry weight: (Approximate)	Length 1	0,3 kg. (0.66 lbs.)
	Length 2	0,4 kg. (0.88 lbs.)
	Length 3	0,5 kg. (1.10 lbs.)



OFMT 020 Series Filter and Element Model Code

Sample model code:

OFMT0201SAG7A06HBT

1 Filter Series - OFMT020

2 Assembly Length

mm (inch)

- 1** - 102 (4.0)
- 2** - 165 (6.5)
- 3** - 210 (8.3)

3 Breather Options

- S** - No breather
- C** - 10 µm breather
- M** - 40 µm breather

4 Seal Material

- A** - Buna-N
- V** - Viton-A

5 Port Options

- G1** - 3/8" BSP
- G2** - 1/2" BSP
- G4** - 3/8" NPT
- G5** - 1/2" NPT
- G7** - SAE 6
- G8** - SAE 8

6 Fluid Cleanliness Rating

Code	cleanliness level
A03	16/14/12 or better
A06	18/16/14 or better
A10	20/18/15 or better

7 Element Collapse Rating

- H** - 10 bar (150 PSI)

8 Valve Options

- B** - Bypass set at 25 PSI cracking pressure

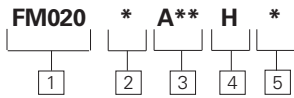
9 Indicator Options

- T** - No Indicator (plug), No Connector

In-tank Filters

OFMT020 Series

Flows to 50 L/min (13.2 USgpm)
Pressures to 7 bar (100 PSI)



Element model code

Sample model code:

FM0202A06HA

1 Filter Element - FM 020

2 Assembly Length

mm (inch)
1 - 102 (4.0)
2 - 165 (6.5)
3 - 210 (8.3)

3 Fluid Cleanliness Rating

Code **Target fluid cleanliness level**

A03 16/14/12 or better

A06 18/16/14 or better

A10 20/18/15 or better

4 Element Collapse Rating

H - 10 bar (150 PSI)

5 Seal Material

A - Buna-N

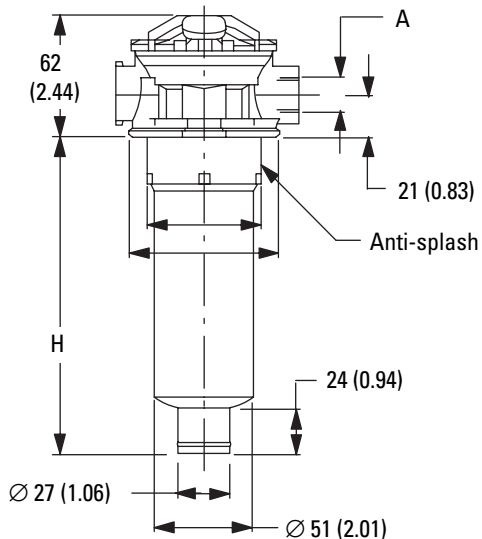
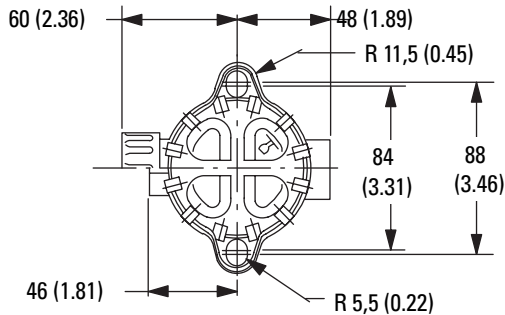
V - Viton-A

Note: Element comes with bypass set at 25 PSI cracking pressure

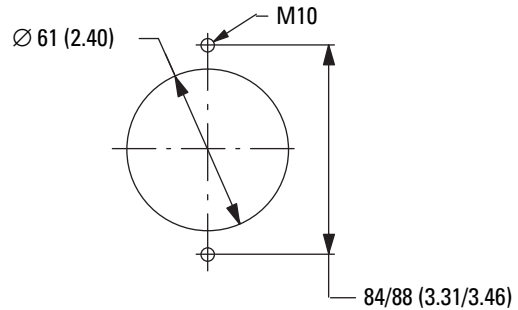
Housing Dimensions

mm (inch)

Dimensions in mm (inch)



Holes required on tank



Items not in bold are non-standard and may have a longer lead time

In-tank Filters

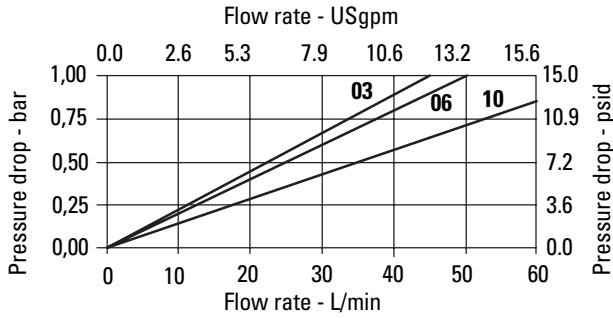
OFMT020 Series

Flows to 50 L/min (13.2 USgpm)
Pressures to 7 bar (100 PSI)

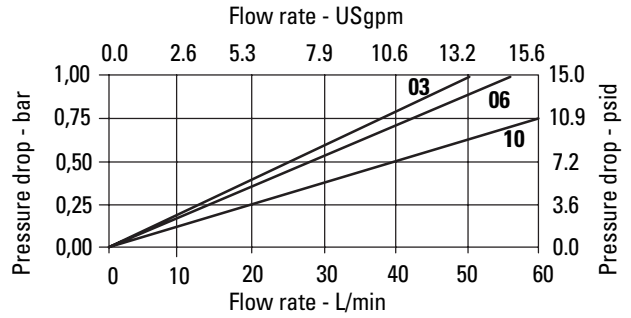
Flow Data

Element Flow Data

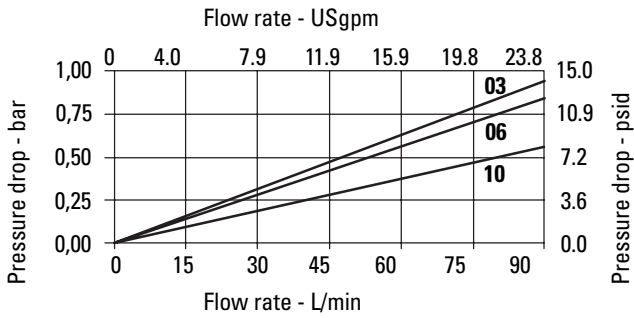
OFMT020 H-Pak Length 1



OFMT020 H-Pak Length 2

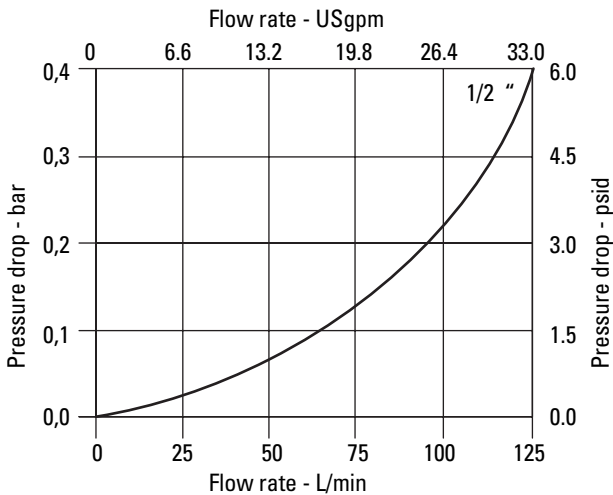


OFMT020 H-Pak Length 3



Housing/Bypass Valve Flow Data

Housing



Bypass Valve

Based on mineral oil with density of 0,86 kg/dm
 ΔP varies proportionally to density.

