

In-tank Filters

OFMT100 Series

Flows to 70 L/min (18.5 USgpm)
Pressures to 7 bar (100 PSI)

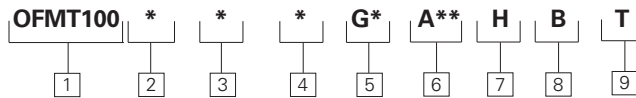


Features and Benefits

- High efficiency filter elements with superior dirt-holding capacity designed for return lines and installed semi-immersed in a reservoir.
- Excellent pressure drop characteristics.
- P indicator options for flexibility in system design.
- Bowl length options for design flexibility.
- Easy element changes.
- Bypass valve prevents excessive pressure drop and prevents element collapse and release of retained contaminant's back into hydraulic system.
- Designed to comply with ISO standards

DESIGN SPECIFICATIONS

Rated flow:	Length 1	35 L/min (9.2 USgpm)
	Length 2	45 L/min (11.9 USgpm)
	Length 3	70 L/min (18.5 USgpm)
Fluid compatibility:	Compatible with most petroleum oil, water glycol, oil-in-water and water-in-oil fluids	
Temp range:	-25°C to +110°C (-13°F to +230°F)	
Pressure rating:	Operating	7 bar (100 PSI)
	Fatigue	7 bar (100 PSI)
Material:	Head	Die Cast Aluminum
	Cover and Bowl	Nylon
Dry weight: (Approximate)	Length 1	0,3 kg. (0.66 lbs.)
	Length 2	0,4 kg. (0.88 lbs.)
	Length 3	0,5 kg. (1.10 lbs.)



OFMT 100 Series Filter and Element Model Code

Sample model code:
OFMT1001SAG7A06HBT

[1] Filter Series - OFMT 100

[2] Assembly Length

mm (inch)
1 - 102 (4.0)
2 - 145 (5.7)
3 - 225 (8.9)

[3] Breather Options

S - No breather
C - 10 µm breather
M - 40 µm breather

[4] Seal Material

A - Buna-N
V - Viton-A

[5] Port Options

G1 - 3/4" BSP
G2 - 1" BSP
G3 - 1-1/4" BSP
G4 - 3/4" BSP
G5 - 1" NPT
G6 - SAE 12
G7 - SAE 16
G8 - SAE 20

[6] Fluid Cleanliness Rating

Code	cleanliness level
A03	16/14/12 or better
A06	18/16/14 or better
A10	20/18/15 or better

[7] Element Collapse Rating

H - 10 bar (150 PSI)

[8] Valve Options

B - Bypass set at 25 PSI cracking pressure

[9] Indicator Options

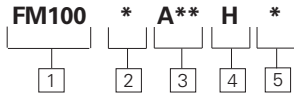
T - No Indicator (plug), No Connector

Items not in bold are non-standard and may have a longer lead time

In-tank Filters

OFMT100 Series

Flows to 70 L/min (18.5 USgpm)
Pressures to 7 bar (100 PSI)



Element model code

1 Filter Element - FM 100

2 Assembly Length

mm (inch)
1 - 102 (4.0)
2 - 145 (5.7)
3 - 225 (8.9)

Sample model code:

FM1002A06HA

3 Fluid Cleanliness Rating

Code	Target fluid cleanliness level
A03	16/14/12 or better
A06	18/16/14 or better
A10	20/18/15 or better

4 Element Collapse Rating

H - 10 bar (150 PSI)

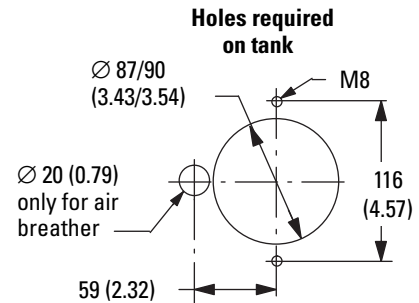
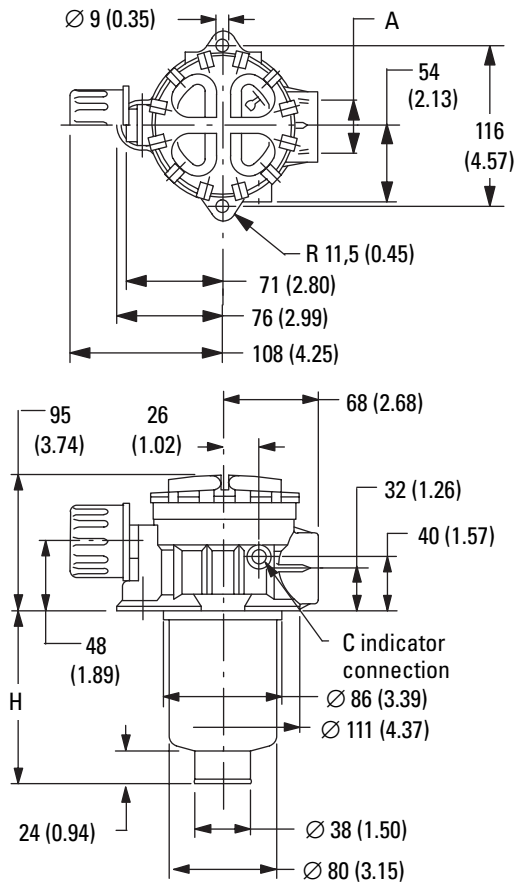
5 Seal Material

A - Buna-N
V - Viton-A

Note: Element comes with bypass set at 25 PSI cracking pressure

Housing Dimensions

mm (inch)



Items not in bold are non-standard and may have a longer lead time

In-tank Filters

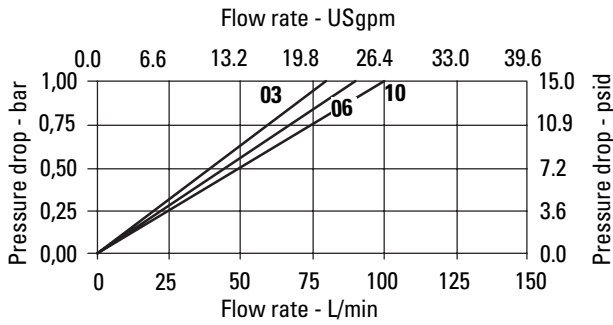
OFMT100 Series

Flows to 70 L/min (18.5 USgpm)
Pressures to 7 bar (100 PSI)

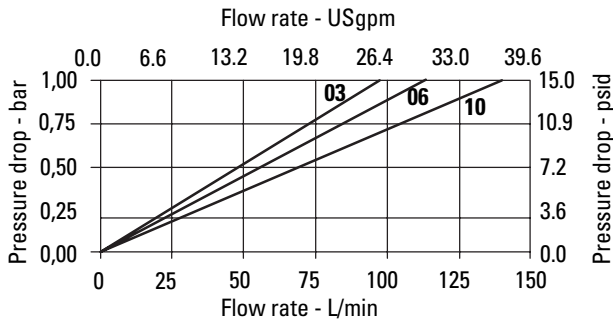
Flow Data

Element Flow Data

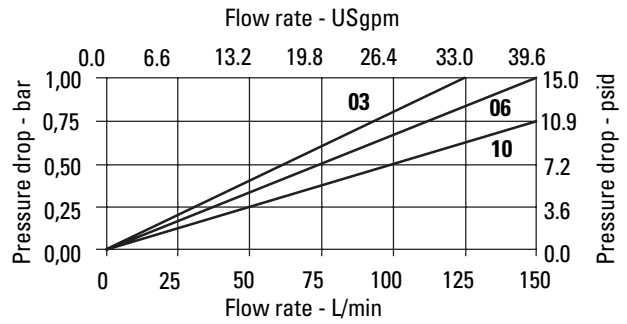
OFMT100 H-Pak Length 1



OFMT100 H-Pak Length 2

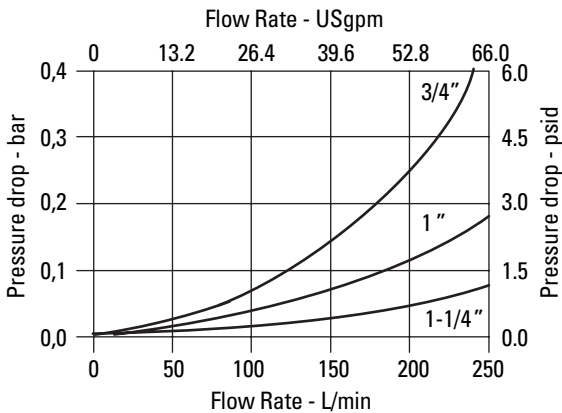


OFMT100 H-Pak Length 3



Housing/Bypass Valve Flow Data

Housing



Bypass Valve

Based on mineral oil with density of 0,86 kg/dm³.
ΔP varies proportionally to density.

