

Pressure Filters

OFR30 Series

Flows to 115 L/min (30 USgpm)
Pressures to 40 bar (600 PSI)

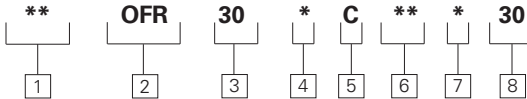


Features and Benefits

- OFR-30 conforms to HF3 specifications.
- Flows to 30 USgpm.
- Visual indicator is standard.
- Electrical indicator also available.
- Bypass valve is standard.
- Replacement elements available in C-Pak.

DESIGN SPECIFICATIONS

Rated flow:	115 L/min (30 US gpm)	
Fluid compatibility:	Compatible with most petroleum oil, oil-in-water and water-in-oil fluids.	
Temp range:	-40°C to +107°C (- 40°F to +225°F)	
Pressure rating:	Operating	40 bar (600 PSI)
Bypass setting:	25 PSI	
Material:	Head Bowl	Die cast aluminum Carbon steel
Dry weight: (Approximate)	5,4 kg (12lbs)	



OFR30 Series Filter and Element Model Code

Sample model code:
F3OFR30S03E30S50

1 Seals

Blank - Buna-N
F3 - Viton-A

2 Filter Series - OFR

3 Flow Capacity

30 - 115 L/min (30 USgpm)

4 Port Options

B - G1 (formerly 1" BSPF) thread
F - 1" SAE 4-bolt flange Code 61
S - 1.3125-12 UN SAE-16 straight thread 1" O.D. tube

5 Element Construction

C - C-Pak (grade 3, 5 10, 20)

6 Fluid Cleanliness Rating

Code	Target fluid cleanliness level
03	16/14/12
05	18/16/14
10	20/18/15
20	22/19/16

7 Delta Indicator Options

Blank - Mechanical 25 PSI
E - Electrical 25 PSI

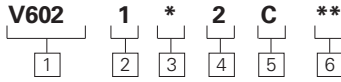
8 Design

30 -Standard Design

Pressure Filters

OFR30 Series

Flows to 115 L/min (30 USgpm)
Pressures to 40 bar (600 PSI)



V602 Element Model Codes

(Meets HF3 Specifications)

Sample model code:

V6021B2C03

1 Filter Element -V602

2 Element Collapse Rating

1 - 150 PSI Low Collapse

3 Seals

B - Buna-N
V - Viton-A

4 Element Length

mm (inch)
2 - 203 (8) (HF3 length)

5 Element Construction

C - C-Pak (grade 3, 5, 10, 20)

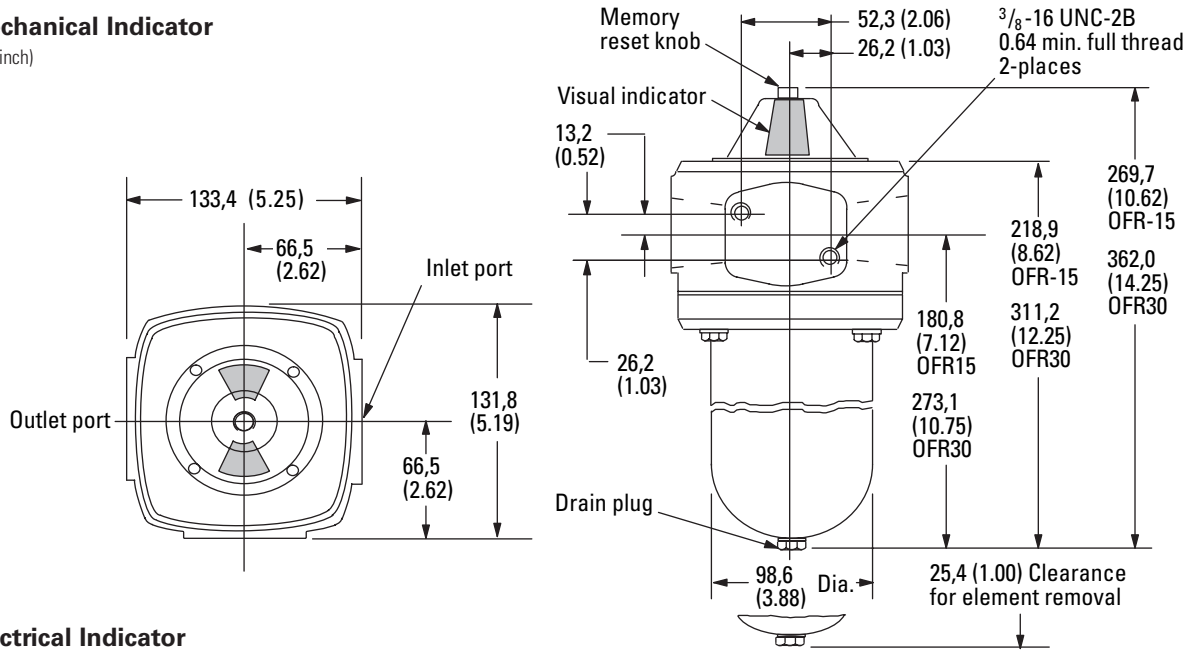
6 Fluid Cleanliness Ratings

Code	Target fluid cleanliness level
03	16/14/12
05	18/16/14
10	20/18/15
20	22/19/16

Housing Dimensions

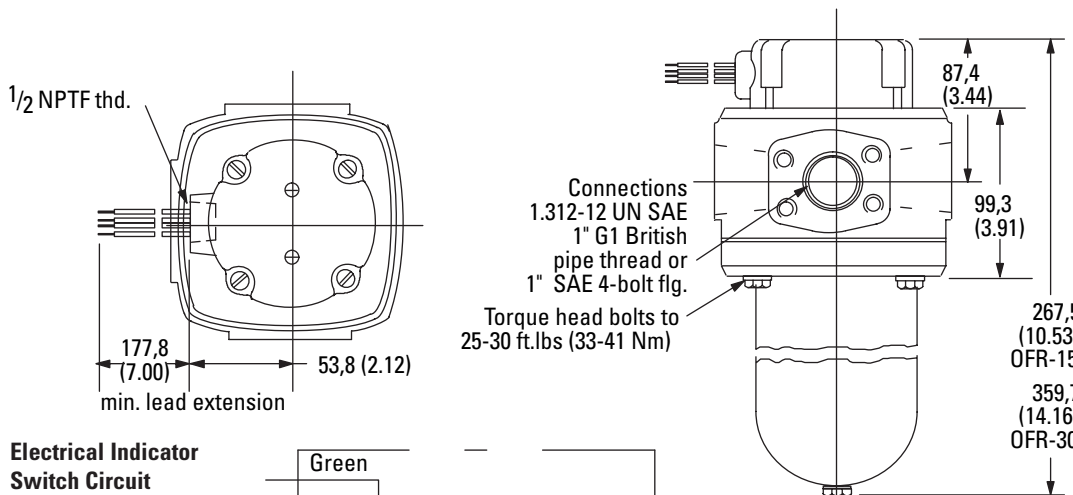
Mechanical Indicator

mm (inch)

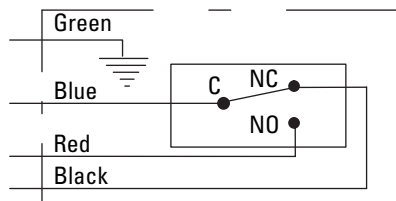


Electrical Indicator

mm (inch)



Electrical Indicator Switch Circuit



Items not in bold are non-standard and may have a longer lead time

Pressure Filters

Flows to 115 L/min (30 USgpm)
Pressures to 40 bar (600 PSI)

OFR 30 Series

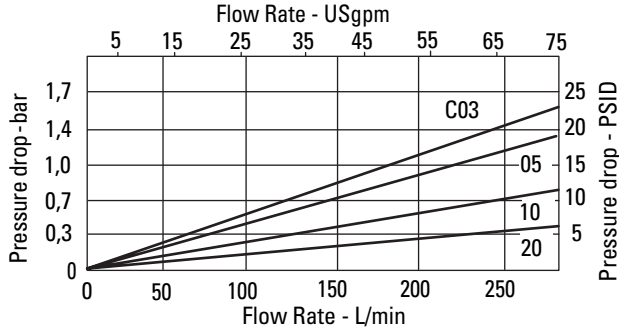
Flow Data

Flow versus pressure drop:

150 SUS (32 cSt) oil with specific gravity of ≤ 0.9

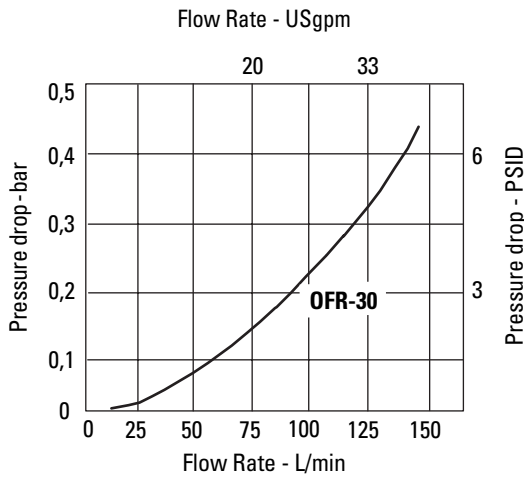
Element Flow Data

OFR30 C-Pak



Housing/Bypass Valve Flow Data

Housing



Bypass Valve

