

# Pressure Filters

## OFR 60/120 Series

Flows to 450 L/min (120 USgpm)  
Pressures to 27 bar (400 PSI)

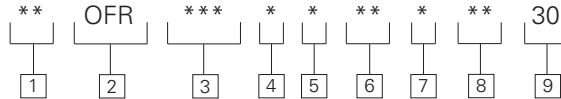


### Features and Benefits

- Visual indicator is standard.
- Electrical indicator also available.
- Bypass valve is standard.
- Replacement elements available in C-Pak.

### DESIGN SPECIFICATIONS

<b>Rated flow:</b>	OFR60 OFR120	225 L/min (60 USgpm) 450 L/min (120 USgpm)
<b>Fluid compatibility:</b>	Compatible with most petroleum oil, water glycol, oil-in-water and water-in-oil fluids.	
<b>Temp range:</b>	-40°C to +107°C (-40°F to +225°F)	
<b>Pressure rating:</b>	Operating	27 bar (400 PSI)
<b>Material:</b>	Head Bowl	Die cast aluminum Carbon steel
<b>Dry weight:</b> (Approximate)	OFR60 OFR120	6,8 kg (15 lbs) 9,5 kg (21 lbs)



### OFR 60/120 Series Filter and Element Model Code

Sample model code:  
F3OFR60S03E3530

#### 1 Seals

**Blank** - Buna-N  
**F3** - Viton-A

#### 2 Filter Type

**OFR** - Oil filter return line

#### 3 Flow Capacity

**60** - 227 L/min (60 USgpm)  
**120** - 454 L/min (120 USgpm)

#### 4 Port Options

**F** - 1½" SAE 4-bolt flange  
Code 61  
**S** - 1.875-12 UN SAE-24  
straight thread for 1½"  
O.D. tube

#### 5 Element Construction

**C** - C-Pak (grade 3, 5 10, 20)


#### 6 Fluid cleanliness rating

Code	Target fluid cleanliness level
<b>03</b>	16/14/12
<b>05</b>	18/16/14
<b>10</b>	20/18/15
<b>20</b>	22/19/16

#### 7 P Indicator Options

**Blank** - Mechanical  
**E** - Electrical

#### 8 Bypass Setting

**Blank** - Bypass set at 25 PSI  
Standard cracking pressure  
**35** - Bypass set at 35 PSI  
cracking pressure  
**50** - Bypass set at 50 PSI  
cracking pressure  
**\*\***  **CAUTION**  
Applications involving high flow surges may cause element collapse due to instantaneous pressure spikes.

#### 9 Design

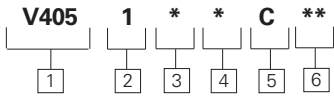
**30** - Standard Design

Items not in bold are non-standard and may have a longer lead time

# Pressure Filters

Flows to 450 L/min (120 USgpm)  
Pressures to 27 bar (400 PSI)

## OFR 60/120 Series



### V405 Element Model Code

(Meets HF4 Standard)

### Sample model code:

V4051B3C03

**1** Filter Element - V405

**2** Element Collapse Rating

**1** - 150 PSI

**3** Seals

**B** - Buna-N

**V** - Viton-A

**4** Element Length

mm (inch)

**3** - 229 (9) (Use in OFR-60)\*

**6** - 457 (18) (Use in OFR-120)

**5** Element Construction

**C** - C-Pak (grade 3, 5, 10, 20)

**6** Fluid Cleanliness Rating

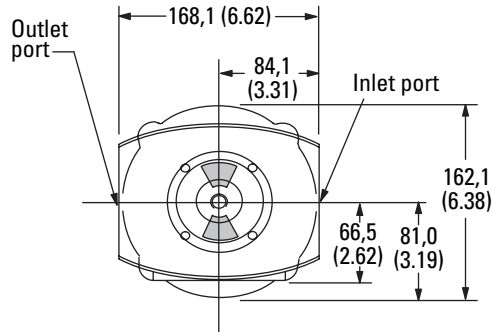
Code	Target fluid cleanliness level
<b>03</b>	<b>16/14/12</b>
<b>05</b>	<b>18/16/14</b>
<b>10</b>	<b>20/18/15</b>
<b>20</b>	<b>22/19/16</b>

\*NOTE: Two 9 inch elements and a P-227567-01 reusable connector can also be used in the OFR-120 housing. This arrangement meets HF4 specifications.

## Housing Dimensions

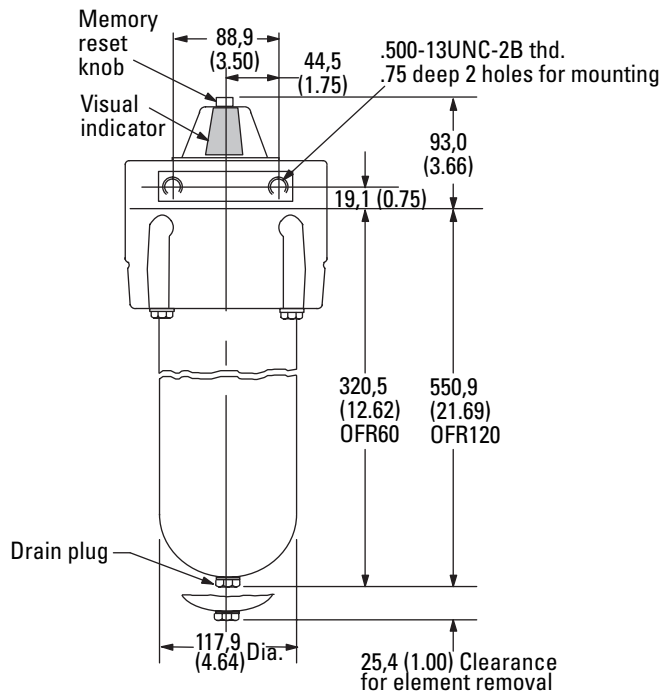
### Mechanical Indicator

mm (inch)



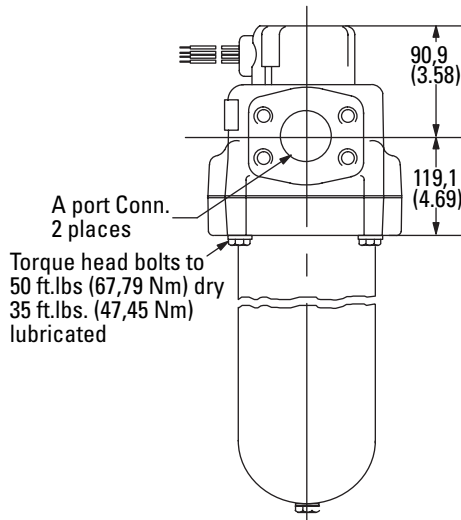
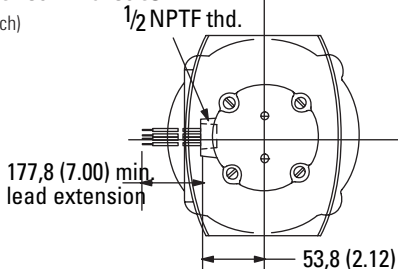
### Note

Plastic plug, part number 737365, is installed in the filter element to close the end of the element. When servicing element, remove and retain plastic plug 737365. Install new element with plastic plug on bottom.

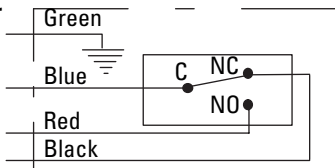


### Electrical Indicator

mm (inch)



### Electrical Indicator Switch Circuit



Items not in bold are non-standard and may have a longer lead time

# Pressure Filters

Flows to 450 L/min (120 USgpm)  
Pressures to 27 bar (400 PSI)

## OFR 60/120 Series

### Flow Data

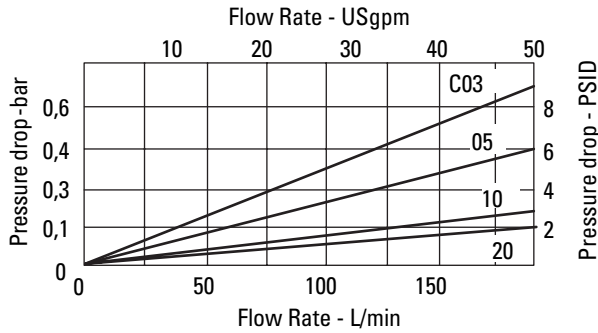
#### Flow versus pressure drop:

150 SUS (32 cSt) oil with specific gravity of  $\leq 0.9$

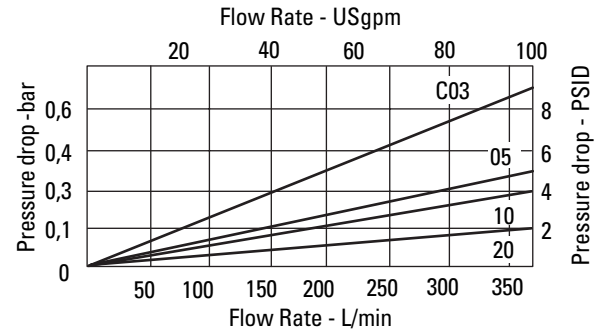
### Element Flow Data

#### Element Flow Data

##### OFR60 C-Pak Element

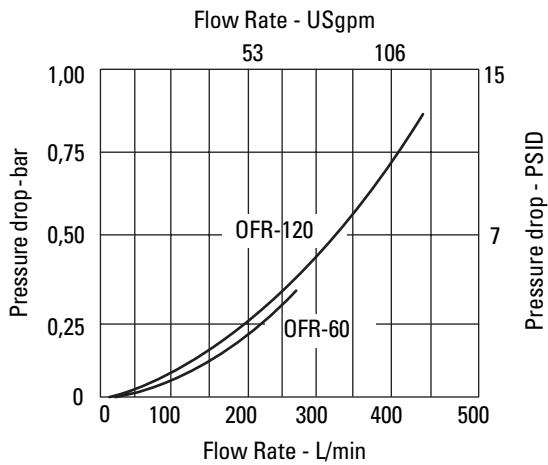


##### OFR120 C-Pak Element



#### Housing/Bypass Valve Flow Data

##### Housing



##### Bypass Valve

