

# Spin-on Filters

## OFRS15

Flows to 60 L/min (15 USgpm)  
Pressures to 7 bar (100 PSI)

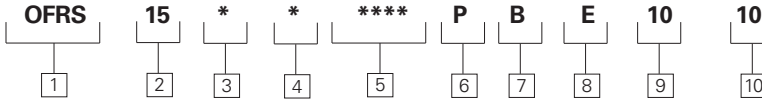


### Features and Benefits

- Simple spin-on element design for easy maintenance.
- Bypass valves prevent excessive pressure drop and accidental element collapse.
- Two available ports for use as gauge and/or diagnostic ports

### DESIGN SPECIFICATIONS

<b>Rated flow:</b>	57 L/min 15 USgpm)	
<b>Fluid compatibility:</b>	Compatible with most petroleum oil, water glycol, oil-in-water and water-in-oil fluids.	
<b>Temp range:</b>	40°C to +107°C (-40°F to +225°F)	
<b>Pressure rating:</b>	Operating	7 bar (100 PSI)
<b>Material:</b>	Head	Die cast aluminum
	Bowl	Carbon steel
<b>Dry weight:</b>	1,0 kg (2.2 lbs.)	



### OFRS15 Series Filter and Element Model Code

Sample model code:  
OFRS15S2R03PBE1010

**1 Filter Series - OFRS**

**2 Flow Rating**  
15 - 15 USgpm (57 L/min)

**3 Port Type**  
B - G1 (formerly 1" BSPF) thd.  
P - 1" NPTF  
S - 1.312-12 UN SAE-16 straight thd. for 1" OD tube

**4 Assembly Length**  
mm (inch)  
1 - 194,6 (7.7)  
2 - 250,4 (9.9)

Code	Target fluid cleanliness level
R03	16/14/12
R05	18/16/14
R10	20/18/15

**6 Pressure Gauge Option**  
P - Pressure gauge 0-120 PSI (0-8 bar)  
Blank - Omit if not required.

**7 Inlet Gauge Port Location (1/8" NPTF)**  
B - Location B  
Blank - Omit if not required.

**8 Outlet Gauge Port Location (1/8" NPTF)**  
E - Location E  
Blank - Omit if not required.

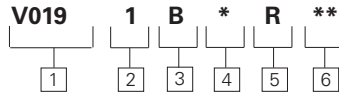
**9 Bypass Valve**  
10 - Bypass valve set at 10 PSI  
Blank - Bypass valve set at 25 PSI

**10 Design Number**  
10 - Standard Design

# Spin-on Filters

## OFRS15

Flows to 60 L/min (15 USgpm)  
Pressures to 7 bar (100 PSI)



### V019 Element Model Code

Sample model code:

V0191B2R03

**1 Series Designation**

**V019** - Filter element for use with OFRS15

**2 Element Collapse Rating**

**1** - 150 PSI

**3 Seal Material**

**B** - Buna-N

**4 Element Length**

mm (inch)

**1** - 147 (5.8)

**2** - 203 (8.0)

**5 Element Construction**

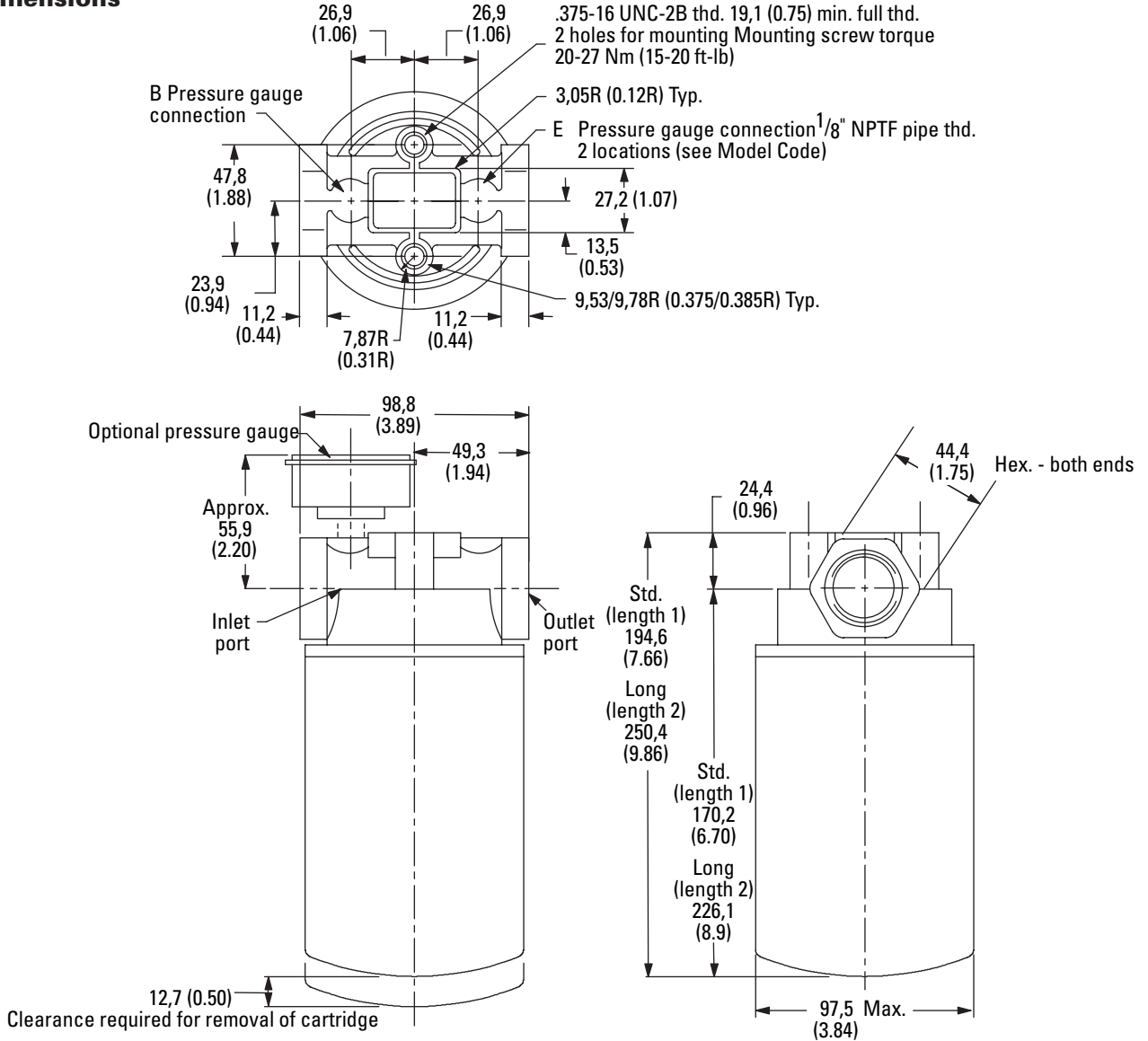
**R** - R-Pak

**6 Fluid Cleanliness Rating**

Code	Target fluid cleanliness level
<b>03</b>	16/14/12
<b>05</b>	18/16/14
<b>10</b>	20/18/15

### Housing Dimensions

mm (inch)



Items not in bold are non-standard and may have a longer lead time

# Spin-on Filters

## OFRS15

### Flow Data

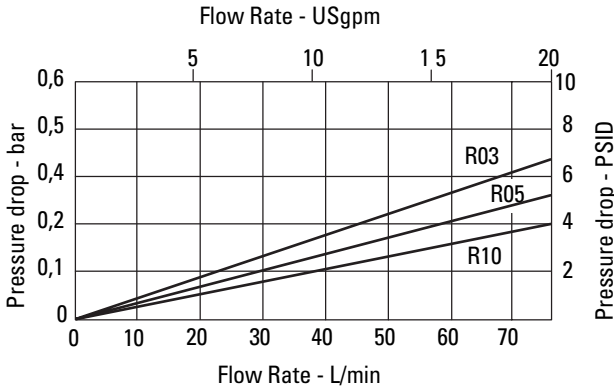
Flows to 60 L/min (15 USgpm)  
Pressures to 7 bar (100 PSI)

### Flow versus pressure drop:

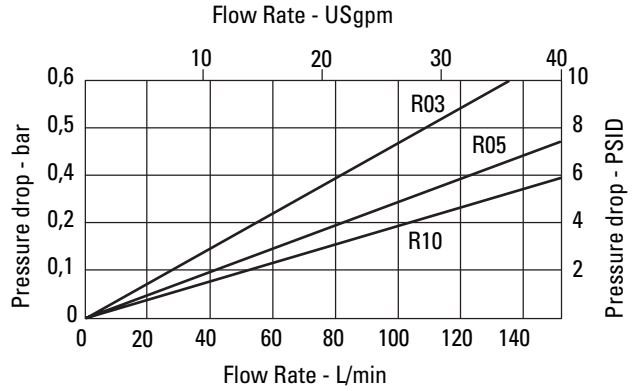
150 SUS (32 cSt) oil with specific gravity of  $\leq 0.9$

### Element Flow Data

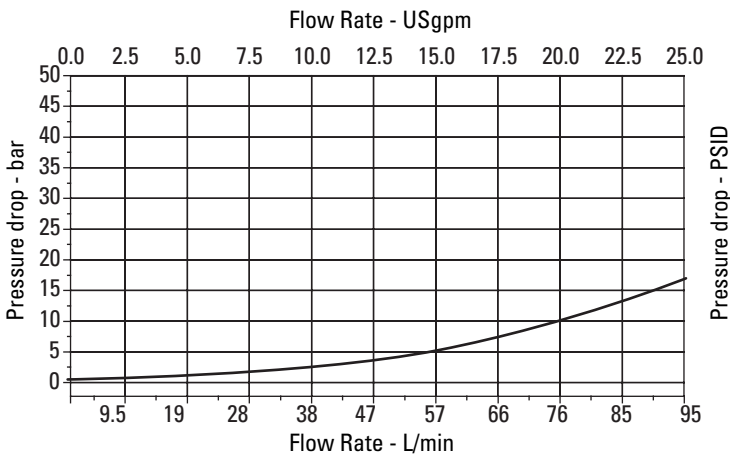
OFRS 15 Element Length 1



OFRS 15 Element Length 2



### Housing/Bypass Valve Flow Data



### Bypass Valve

