

Spin-on Filters

OFRS25

Flows to 95 L/min (25 USgpm)
Pressures to 7 bar (100 PSI)



Features and Benefits

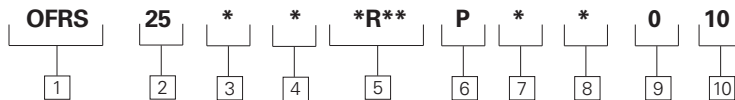
- Simple spin-on element design for easy maintenance.
- Bypass valve prevents excessive pressure drop and accidental element collapse.
- Six available ports for use as gauge and/or diagnostic ports.

DESIGN SPECIFICATIONS

Rated flow:	95 L/min (25 USgpm)	
Fluid compatibility:	Suitable for use with petroleum based, oil-water emulsions, high water based and most water-glycol fluids.	
Temp range:	40°C to +107°C (-40°F to +225°F)	
Pressure rating:	Operating	7 bar (100 PSI)
Material:	Head	Die cast aluminum
	Canister	Carbon steel
Dry weight:	0,9 kg (2.0 lbs)	

OFRS25 Series Filter and Element Model Code

Sample model code:
OFRS25S1R03PAD010



1 Filter Series - OFRS

2 Flow Rating

25 -25 USgpm (95 L/min)

3 Port Type

B - G1 (formerly 1" BSPF) thd.
F - 1" SAE-4-bolt flange code 61
P - 1" NPTF
S - 1.312-12 UN SAE-16 straight thd. for 1" OD tube

4 Assembly Length

mm (inch)
1 - 194,1 (7.6)
2 - 250,4 (9.9)

5 Fluid Cleanliness Rating

Code	Target fluid cleanliness level
R03	16/14/12
R05	18/16/14
R10	20/18/15

6 Pressure Gauge Option

P - Pressure gauge 0-120 PSI (0-8 bar)
Blank - Omit if not required.

7 Inlet Gauge Port Location (1/8" NPTF)

A - Location A
B - Location B
C - Location C
Blank - Omit if not required.

8 Outlet Gauge Port Location (1/8" NPTF)

D - Location D
E - Location E
F - Location F
Blank - Omit if not required.
NOTE: Gauges cannot be mounted side by side. If inlet and outlet gauges are required, specify non-adjacent ports such as A and E.

9 Bypass Valve

0 - Non-bypass
Blank - Bypass valve set at 25 PSI

10 Design Number

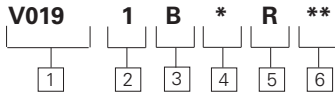
10 - Standard Design

Items not in bold are non-standard and may have a longer lead time

Spin-on Filters

OFRS25

Flows to 95 L/min (25 USgpm)
Pressures to 7 bar (100 PSI)



V019 Element Model Code

Sample model code:

V0191B2R03

1 Series Designation

V019 - Filter element for use with OFRS25

2 Element Collapse Rating

1 - 150 PSI

3 Seal Material

B - Buna-N

4 Element Length

mm (inch)

1 - 147 (5.8)

2 - 203 (8.0)

5 Element Construction

R - R-Pak

6 Fluid Cleanliness Rating

Target fluid cleanliness level

Code **16/14/12**

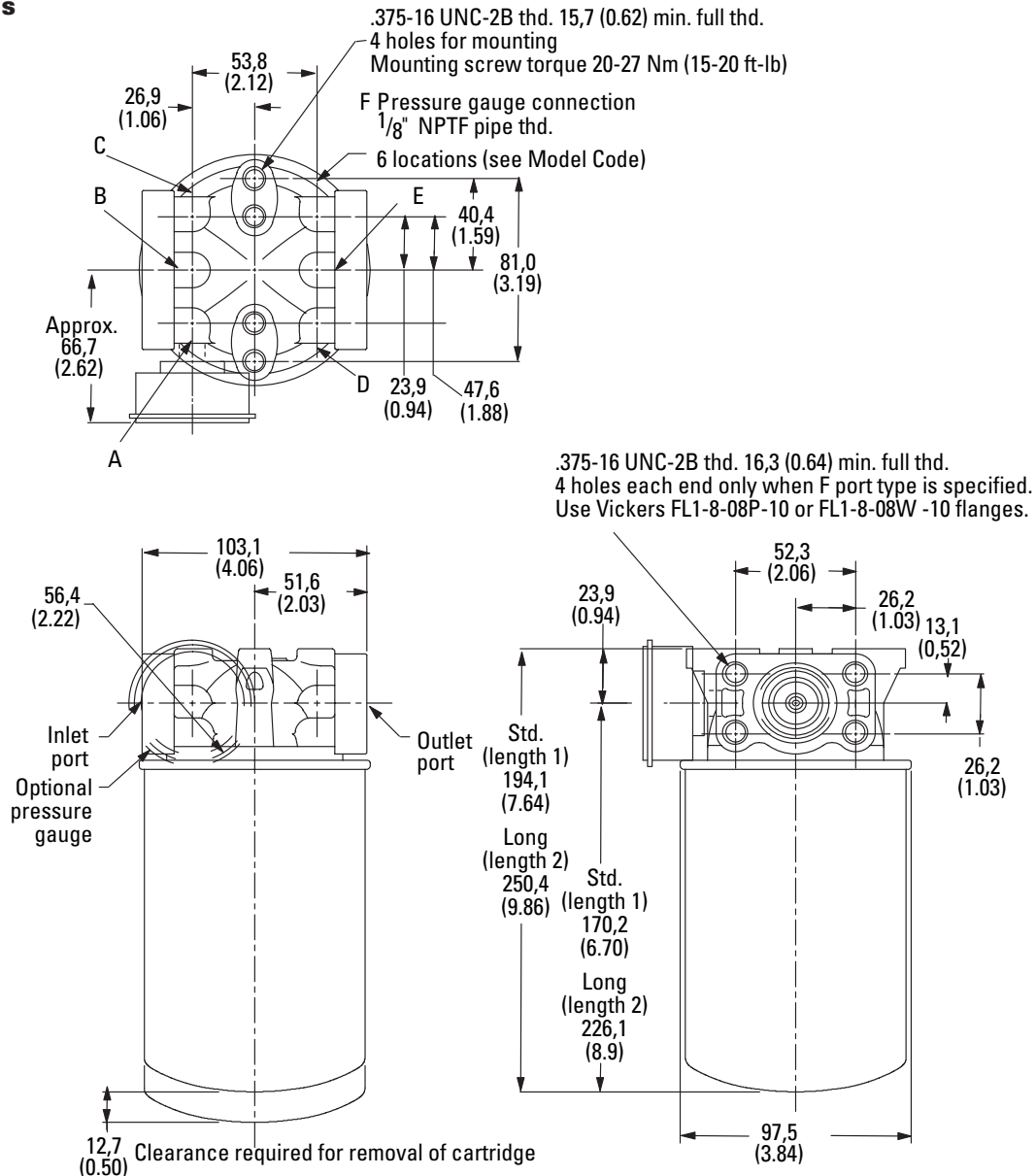
03 **18/16/14**

05 **20/18/15**

10 **20/18/15**

Housing Dimensions

mm (inch)



Items not in bold are non-standard and may have a longer lead time

Spin-on Filters

Flows to 95 L/min (25 USgpm)
Pressures to 7 bar (100 PSI)

OFRS25

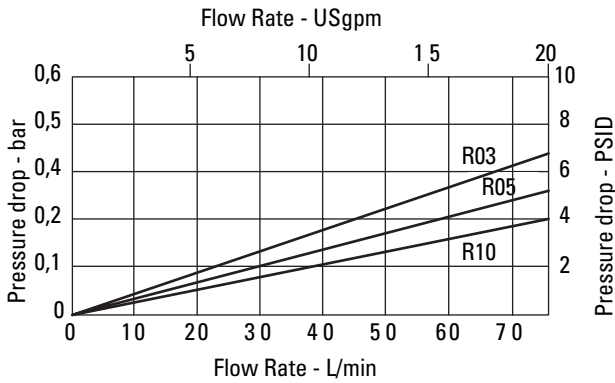
Flow Data

Flow versus pressure drop:

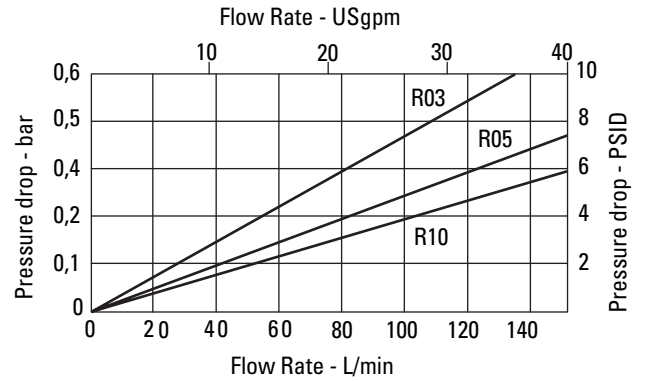
150 SUS (32 cSt) oil with specific gravity of ≤ 0.9

Element Flow Data

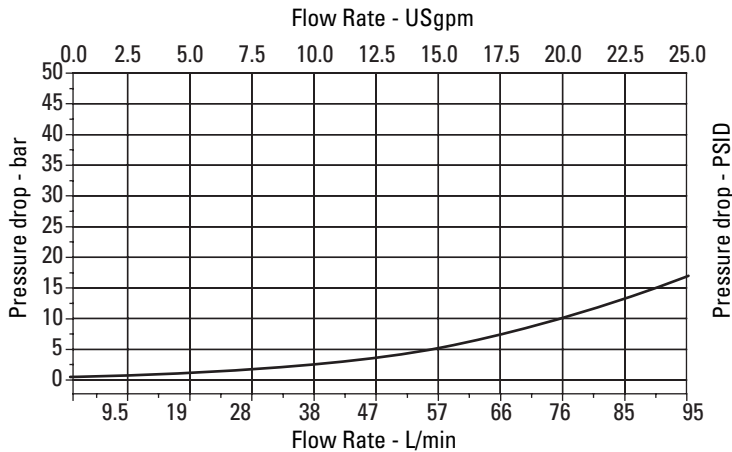
OFRS Element Length 1



OFRS Element Length 2



Housing/Bypass Valve Flow Data



Bypass Valve

