

Spin-on Filters

OFRS60 Series

Flows to 227 L/min (60 USgpm)
Pressures to 7 bar (100 PSI)

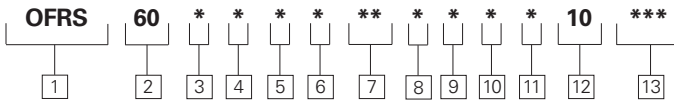


Features and Benefits

- Available with Vickers proprietary R-Pak media.
- Simple spin-on element design for easy maintenance.
- Optional bypass valves prevent excessive pressure drop and accidental element collapse.
- Six available ports for use as gauge and/or diagnostic ports.
- H2O-Pro Water Removing Element available.

DESIGN SPECIFICATIONS

Rated flow:	227 L/min (60 USgpm)	
Fluid compatibility	Compatible with most petroleum oil, water glycol, oil-in-water and water-in-oil fluids	
Temp range:	40°C to +107°C (-40°F to +225°F)	
Pressure rating:	Operating	7 bar (100 PSI)
Material:	Head Canister	Die cast aluminum Carbon steel
Dry weight:	Length 1 Length 2	4,4 kg (5.0 lbs) 5,6 kg (6.5 lbs)



OFRS60 Series Filter and Element Model Code

Sample model code:

OFRS602S1R03PAD010S14

1 Series designation - OFRS

2 Flow rating
60 -60 USgpm (227 L/min)

3 Mounting
2 - Reservoir mount flange (outlet)
Blank - Body or line mounting

4 Port type
B - G1-1/2 (formerly 1/2" BSPF) thd.
F - 1-1/2" SAE 4-bolt flange
P - 1-1/2" NPTF
S - 1.875-12 UN SAE-24 straight thd. for 1-1/2" OD tube

5 Canister Length
mm (inch)
1 - 184 (7)
2 - 286 (11)

6 Element construction
R - R-Pak (grade 3,5,10,20)
W - Water Removal (10)

7 Fluid cleanliness rating
Target fluid cleanliness level Element construction

Code	Target fluid cleanliness level	Element construction
03	16/14/12	R-Pak
05	18/16/14	R-Pak
10	20/18/15	R-Pak
20	22/19/16	R-Pak

10 Water Removal (Length 2 Only)

8 Pressure gauge option
P - Pressure gauge
Blank - Omit if not required

9 Inlet gauge port location (1/8" NPTF)
A - Location A
B - Location B
C - Location C
Blank - Omit if not required

10 Outlet gauge port location (1/8" NPTF)

D - Location D
E - Location E
F - Location F
Blank - Omit if not required
NOTE: Gauges cannot be mounted side by side. If inlet and outlet gauges are required, specify non-adjacent ports such as A and E.

11 Bypass valve
0 - No bypass valve
Blank - Bypass valve set at 25 PSI cracking pressure

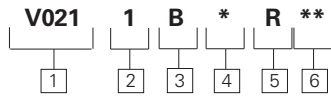
12 Design number
10 - Standard Design

13 Special feature suffix
Blank - Omit if not required

Spin-on Filters

OFRS60 Series

Flows to 227 L/min (60 USgpm)
Pressures to 7 bar (100 PSI)



V021 Element Model Code

Sample model code:
VO211B1R03

1 Filter Element

V021 - Filter element for use with H021, H022, H023 and OFRS-60 series filters (R-Pak construction only)

2 Element Collapse Rating

1 - 150 PSI Low Pressure

3 Seal Material

B - Buna-N

4 Canister Length

mm (inch)
1 - 184 (7)
2 - 286 (11)

5 Element Construction

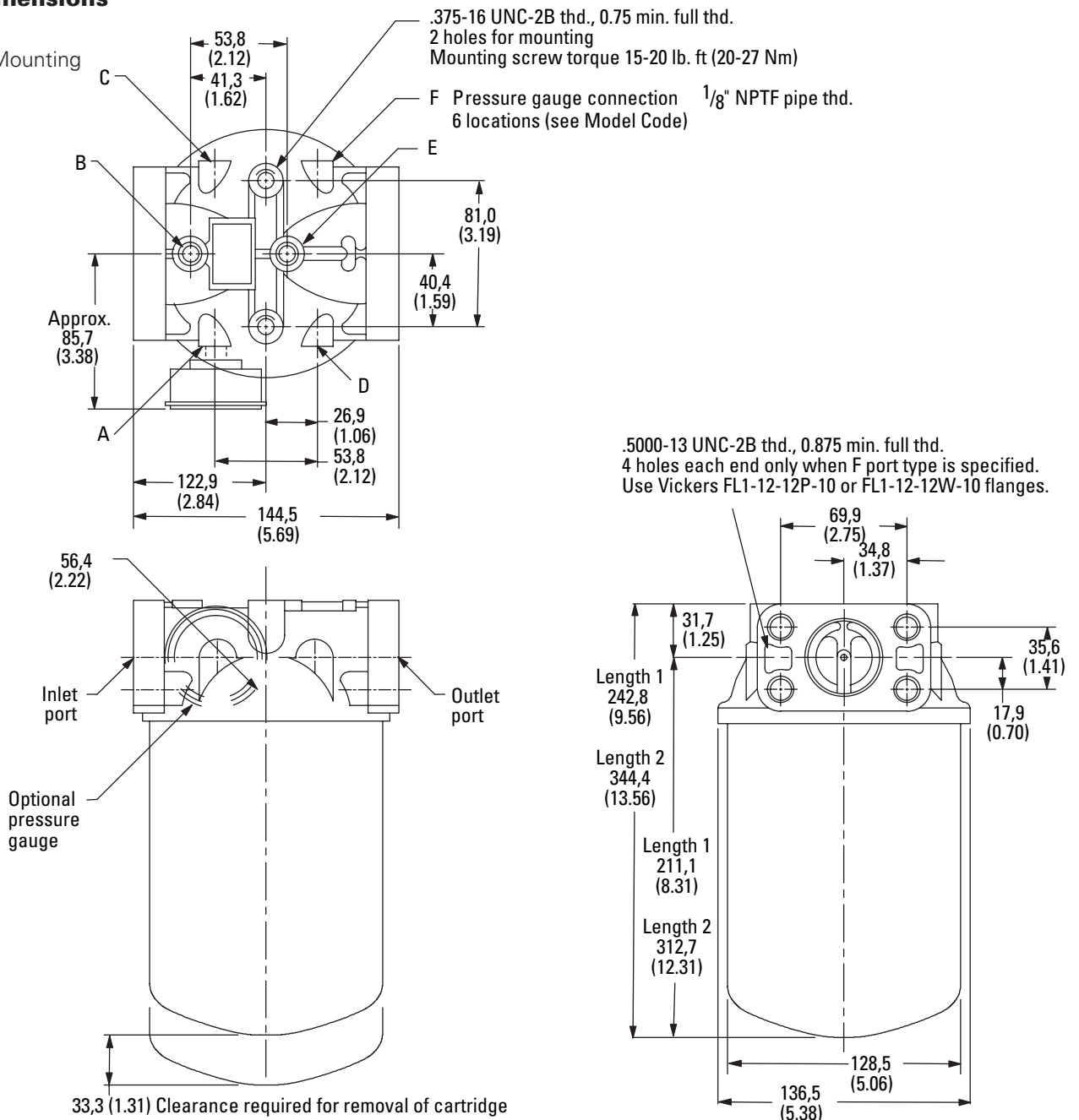
R - R-Pak (grade 3,5,10,20)
W - Water Removal (10)

6 Fluid Cleanliness Rating

Code	Target fluid cleanliness level	Element construction
03	16/14/12	R-Pak
05	18/16/14	R-Pak
10	20/18/15	R-Pak
20	22/19/16	R-Pak
10 Water Removal (Length 2 Only)		

Housing Dimensions

OFRS-60
Body or Line Mounting
mm (inch)



Spin-on Filters

Flows to 227 L/min (60 USgpm)
Pressures to 7 bar (100 PSI)

OFRS60 Series

Housing Dimensions

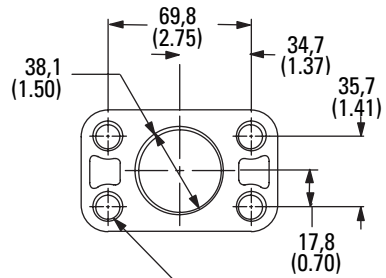
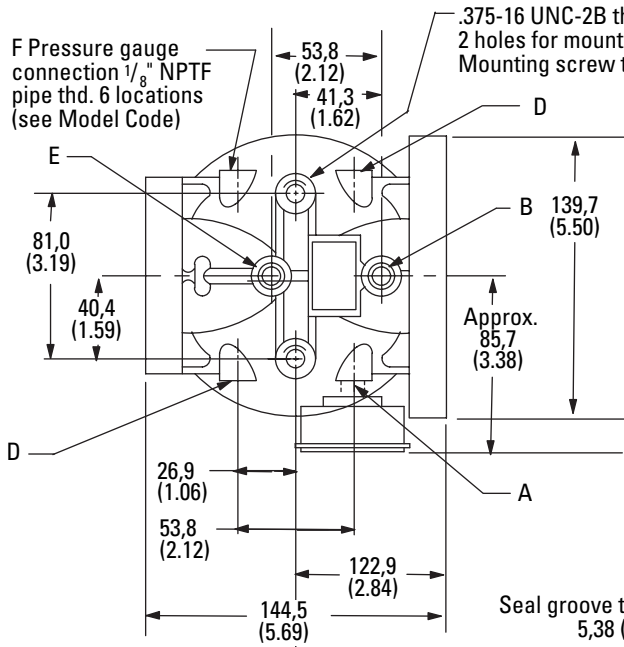
OFRS-60-2
Manifold Mounting
Outlet Port Connection
mm (inch)

Note:

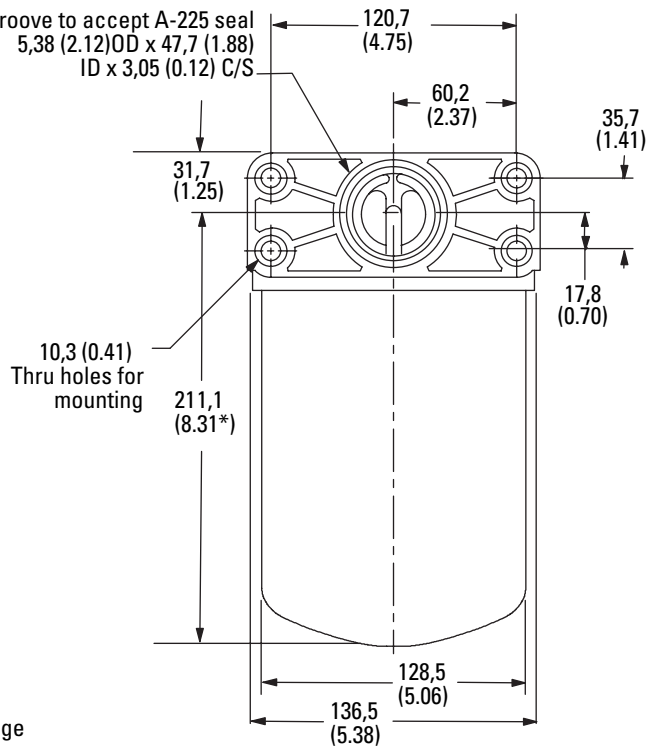
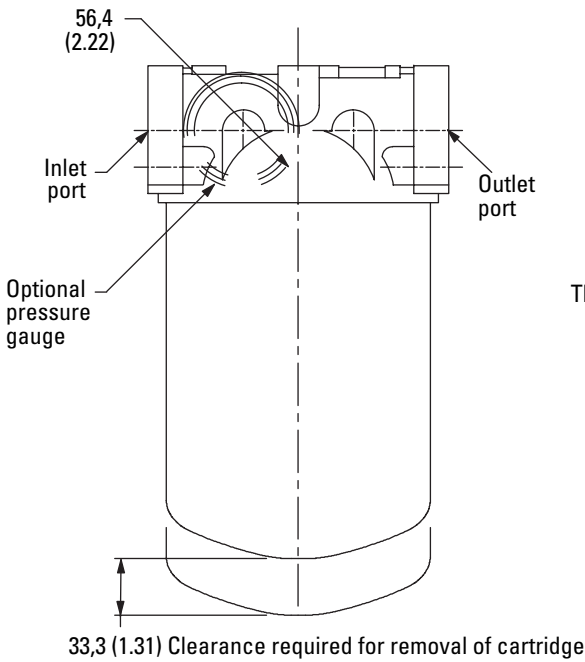
A, B, C Inlet gauge port locations

D, E, F Outlet gauge port locations

Pressure gauge in locations D and F will require additional fitting to clear mounting bolt hex nuts. Use Aeroquip No. 2040-2-25 or equivalent.



.5000-13 UNC-2B thd., 0.875 min. full thd.
4 holes each end only when F port type is specified.
Use Vickers FL1-12-12P-10 or FL1-12-12W-10 flanges.



* Add 101,6 (4.00) for long 10mm element.

Spin-on Filters

OFRS60 Series

Flow Data

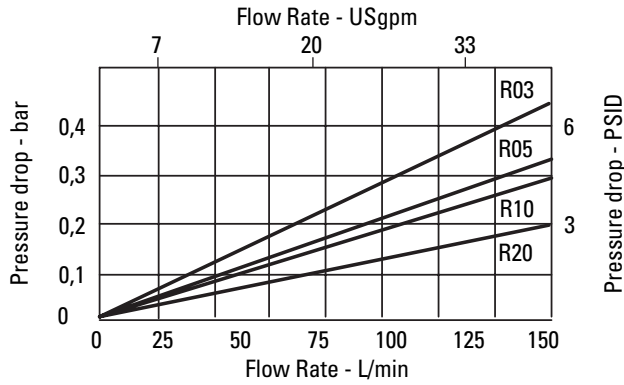
Flows to 227 L/min (60 USgpm)
Pressures to 7 bar (100 PSI)

Flow versus pressure drop:

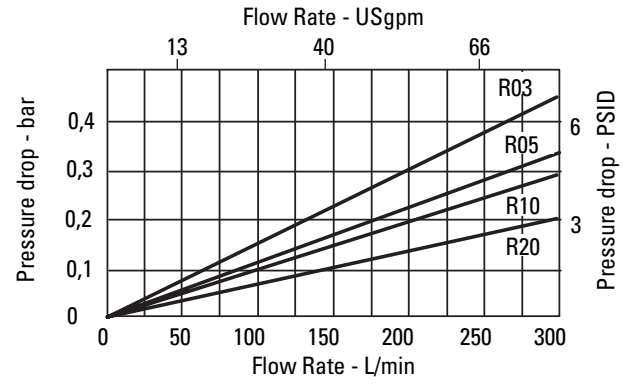
150 SUS (32 cSt) oil with specific gravity of ≤ 0.9

Element Flow Data

OFRS60 R-Pak Element Length 1

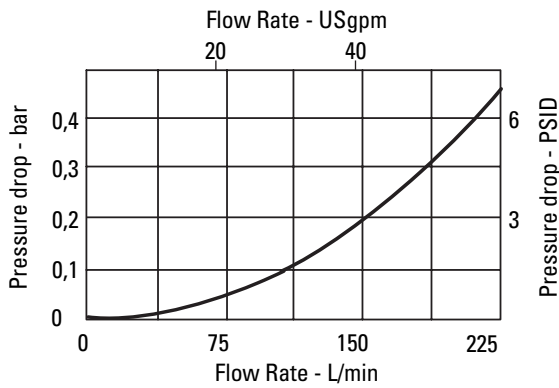


OFRS60 R-Pak Element Length 2



Housing/Bypass Valve Flow Data

Housing Flow Data



Bypass Valve

