

In-tank Filters

OFRT100 Series

Flows to 105 L/min (27.7 USgpm)
Pressures to 10 bar (150 PSI)

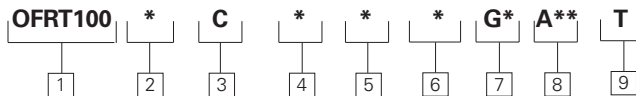


Features and Benefits

- High efficiency filter elements with superior dirt-holding capacity designed for return lines and installed semi-immersed in a reservoir.
- Excellent pressure drop characteristics.
- Indicators ordered separately
- Bowl length options for design flexibility.
- Easy element changes.
- Bypass valve prevents excessive pressure drop and prevents element collapse and release of retained contaminant's back into hydraulic system.
- Designed to comply with ISO standards

DESIGN SPECIFICATIONS

Rated flow:	Length 1	35 L/min (9.2 USgpm)
	Length 2	40 L/min (10.6 USgpm)
	Length 3	75 L/min (19.8 USgpm)
	Length 4	105 L/min (27.7 USgpm)
Fluid compatibility:	Compatible with most petroleum oil, water glycol, oil-in-water and water-in-oil fluids, Optional seals available for phosphate esters.	
Temp range:	-25°C to 110°C (-13°F to 230°F)	
Pressure rating:	Operating	10 bar (150 PSI)
	Fatigue	10 bar (150 PSI)
Material:	Head	Die Cast Aluminum
	Cover	Nylon
Dry weight: (Approximate)	Length 1	1,0 kg. (2.20 lbs.)
	Length 2	1,2 kg. (2.63 lbs.)
	Length 3	1,3 kg. (2.87 lbs.)
	Length 4	1,5 kg. (3.31 lbs.)



OFRT 100 Series Filter and Element Model Code

Sample model code:

OFRT1001COSAG7A06T

1 Filter Series - OFRT 100

2 Assembly Length

mm (inch)

1 - 225 (8.8)

2 - 269 (10.6)

3 - 319 (12.6)

4 - 419 (16.5)

Length given does not include diffuser

3 Bypass Options

C - Bypass set at 25 PSI cracking pressure

4 Diffuser Options

O - No diffuser

D - With diffuser

5 Breather Options

S - No breather

C - 10 µm breather

M - 40 µm breather

6 Seal Material

A - Buna-N

V - Viton-A

7 Port Options

G1 - 3/4" BSP

G2 - 1" BSP

G3 - 1-1/4" BSP

G4 - 3/4" BSP

G5 - 1" NPT

G6 - 1-1/4" NPT

G7 - SAE 12

G8 - SAE 16

G9 - SAE 20

8 Fluid Cleanliness Rating

Target fluid

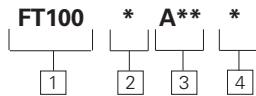
Code	cleanliness level
A06	18/16/14 or better
A10	20/18/15 or better

Items not in bold are non-standard and may have a longer lead time

In-tank Filters

OFRT100 Series

Flows to 105 L/min (27.7 USgpm)
Pressures to 10 bar (150 PSI)



Element model code

Sample model code:

FT1002A06A

1 Filter Element - FT 100

2 Element Length

- mm (inch)
- 1** - 128 (5.0)
 - 2** - 172 (6.8)
 - 3** - 222 (8.7)
 - 4** - 322 (12.7)

3 Fluid Cleanliness Rating

Code Target fluid cleanliness level

A06 18/16/14 or better

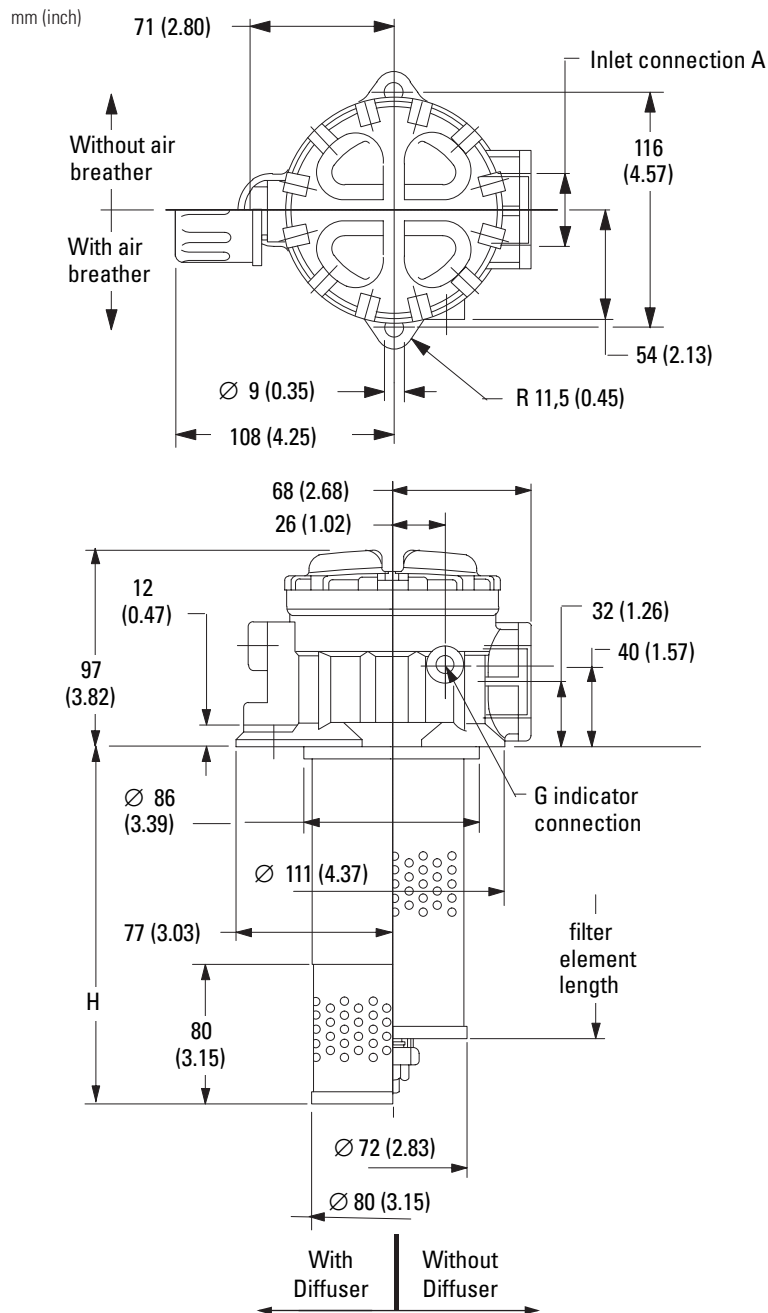
A10 20/18/15 or better

4 Seal Material

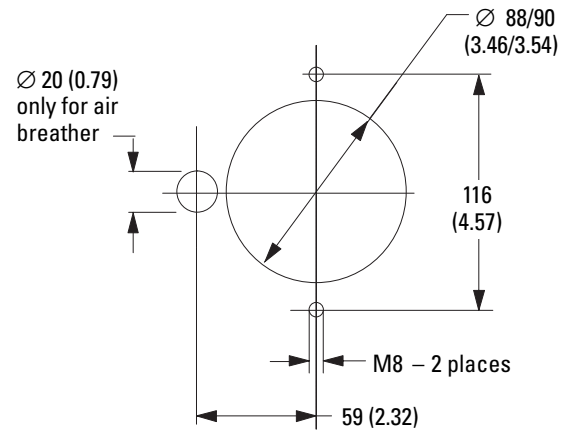
A - Buna-N

V - Viton-A

Housing Dimensions



Holes required on tank



Items not in bold are non-standard and may have a longer lead time

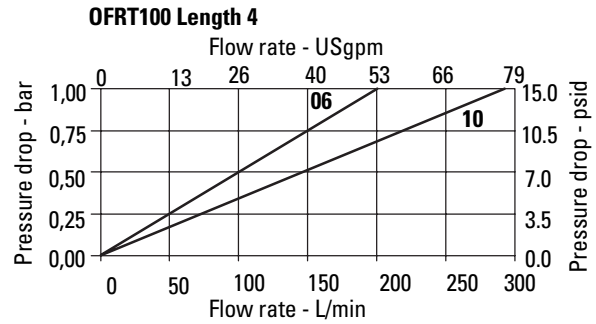
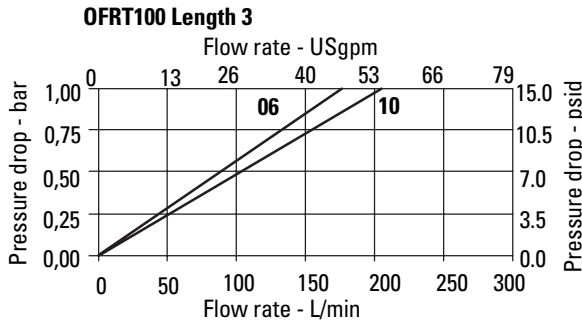
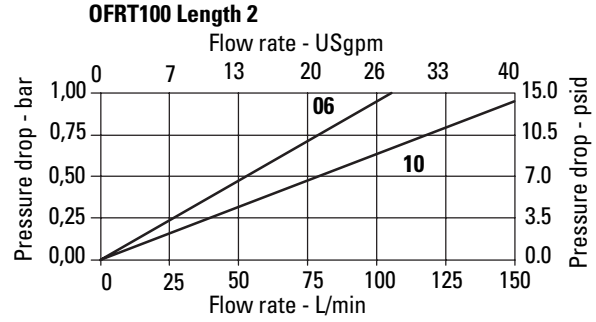
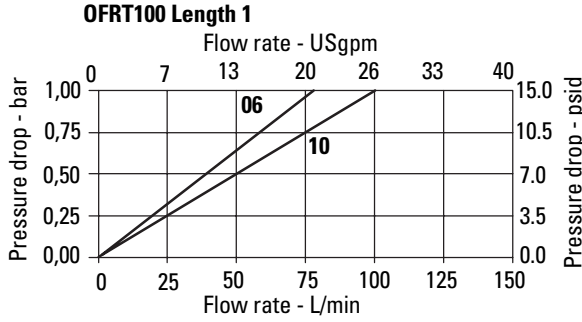
In-tank Filters

OFRT100 Series

Flows to 105 L/min (27.7 USgpm)
Pressures to 10 bar (150 PSI)

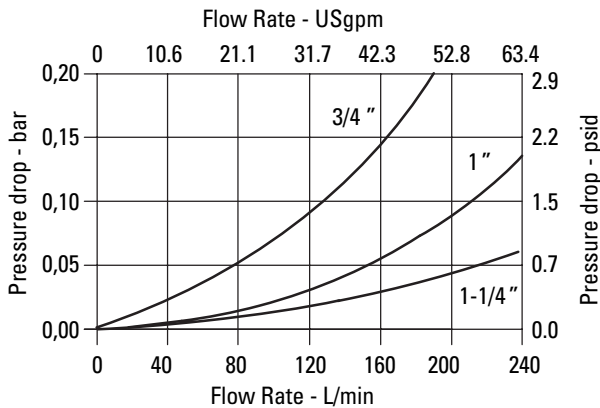
Flow Data

Element Flow Data



Housing/Bypass Valve Flow Data

Housing



Bypass Valve

Based on mineral oil with density of 0,86 kg/dm³.
ΔP varies proportionally to density.

