

In-tank Filters

OFRT250 Series

Flows to 105 L/min (27.7 USgpm)
Pressures to 10 bar (150 PSI)

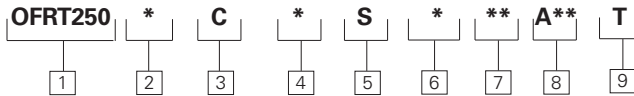


Features and Benefits

- High efficiency filter elements with superior dirt-holding capacity designed for return lines and installed semi-immersed in a reservoir.
- Excellent pressure drop characteristics.
- Indicators ordered separately
- Bowl length options for design flexibility.
- Easy element changes.
- Bypass valve prevents excessive pressure drop and prevents element collapse and release of retained contaminant's back into hydraulic system.
- Designed to comply with ISO standards

DESIGN SPECIFICATIONS

Rated flow:	Length 1	115 L/min (30.4 USgpm)
	Length 2	160 L/min (42.3 USgpm)
	Length 3	205 L/min (54.2 USgpm)
	Length 4	360 L/min (95.1 USgpm)
Fluid compatibility:	Compatible with most petroleum oil, water glycol, oil-in-water and water-in-oil fluids, Optional seals available for phosphate esters.	
Temp range:	-25°C to +110°C (-13°F to +230°F)	
Pressure rating:	Operating	10 bar (150 PSI)
	Fatigue	10 bar (150 PSI)
Material:	Head	Die Cast Aluminum
	Cover	Aluminum
Dry weight: (Approximate)	Length 1	3,9 kg. (8.60 lbs.)
	Length 2	4,1 kg. (9.04 lbs.)
	Length 3	4,6 kg. (10.14 lbs.)
	Length 4	4,8 kg. (10.58 lbs.)



OFRT 250 Series Filter and Element Model Code

Sample model code:
OFRT2501COSAG7A06T

1 Filter Series - OFRT 250

2 Assembly Length

mm (inch)
1 - 285 (11.2)
2 - 335 (13.2)
3 - 405 (15.9)
4 - 610 (24.0)

Length given does not include diffuser

3 Bypass Options

C - Bypass set at 25 PSI cracking pressure

4 Diffuser Options

O - No diffuser
D - With diffuser

5 Breather Options

S - No breather

6 Seal Material

A - Buna-N
V - Viton-A

7 Port Options (G-threaded, F-flanged)

G1 - 1-1/2" BSP
G2 - 1-1/2" and 1-1/4" dual BSP
G4 - 1-1/2" BSP
G5 - 1-1/2" and 1-1/4" dual NPT
G7 - SAE 24
G8 - SAE 20 and 24 dual
F1 - 1-1/2" SAE/Metric Bolt Holes
F2 - 1-1/2" and 1-1/4" dual SAE/Metric Bolt Holes
F3 - 1-1/2" SAE/Inch Bolt Holes
F4 - 1-1/2" and 1-1/4" SAE/Inch Bolt Holes

8 Fluid Cleanliness Rating Target fluid

Code	cleanliness level
A06	18/16/14 or better
A10	20/18/15 or better

9 Indicator Options

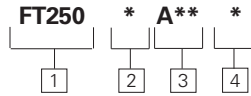
T - No Indicator (plug), No Connector

Items not in bold are non-standard and may have a longer lead time

In-tank Filters

OFRT250 Series

Flows to 105 L/min (27.7 USgpm)
Pressures to 10 bar (150 PSI)



Element model code

Sample model code:

FT2502A06A

1 Filter Element - FT 250

2 Element Length

mm (inch)

1 - 175 (6.9)

2 - 225 (8.9)

3 - 295 (11.6)

4 - 500 (19.7)

3 Fluid Cleanliness Rating

Code Target fluid cleanliness level

A06 18/16/14 or better

A10 20/18/15 or better

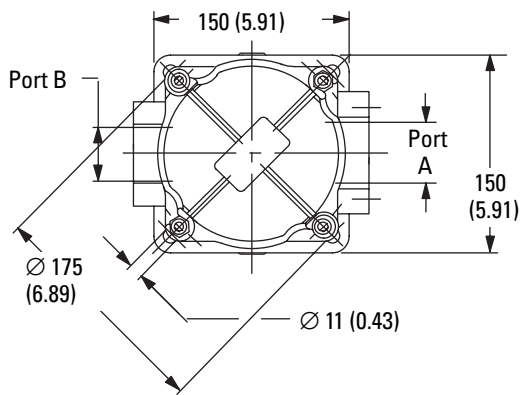
4 Seal Material

A - Buna-N

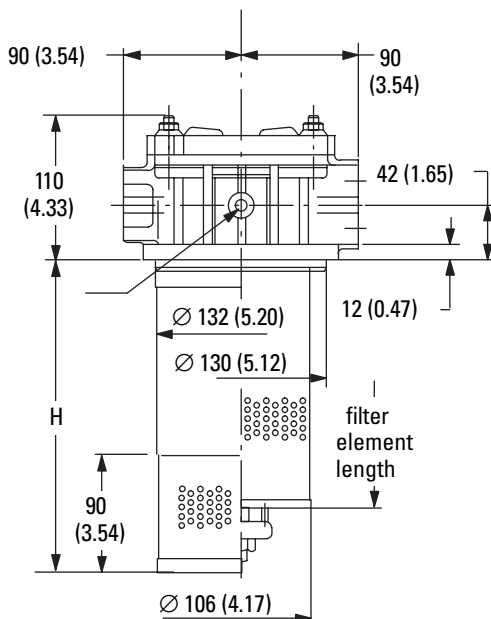
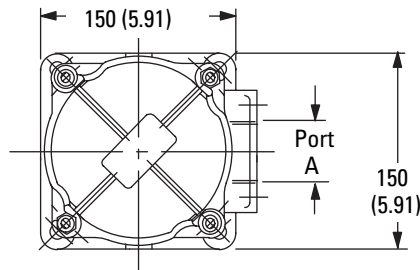
V - Viton-A

Housing Dimensions

mm (inch)



Single inlet models



Items not in bold are non-standard and may have a longer lead time

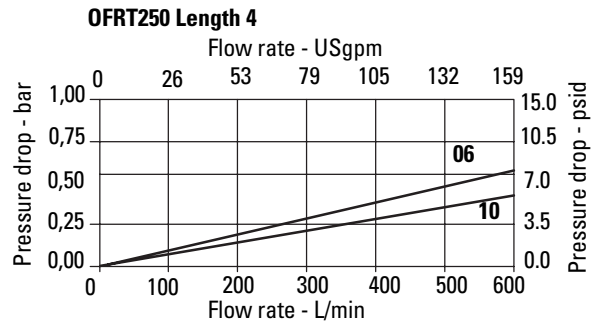
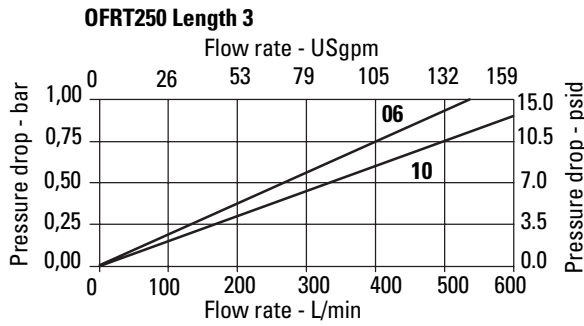
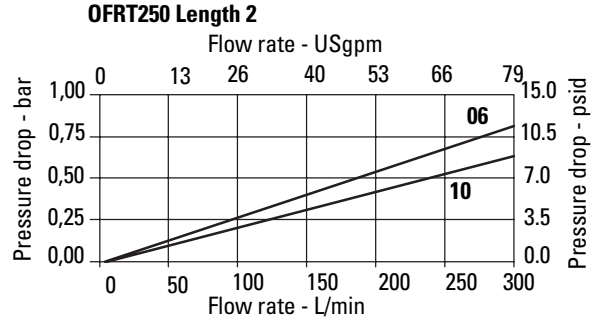
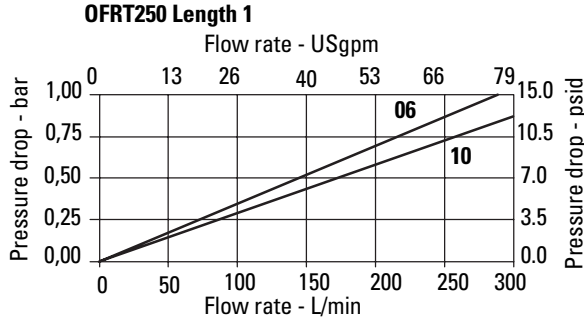
In-tank Filters

OFRT250 Series

Flows to 105 L/min (27.7 USgpm)
Pressures to 10 bar (150 PSI)

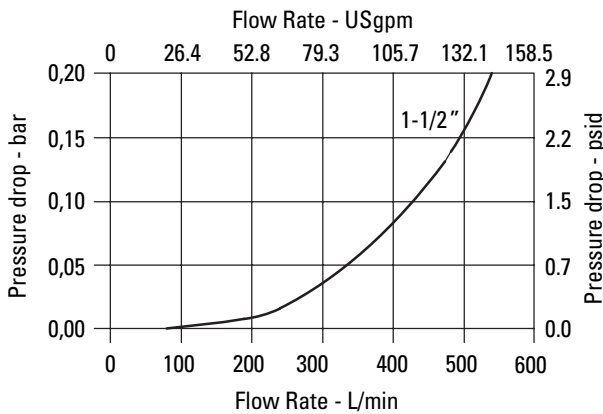
Flow Data

Element Flow Data



Housing/Bypass Valve Flow Data

Housing



Bypass Valve

Based on mineral oil with density of 0,86 kg/dm³.
 ΔP varies proportionally to density.

