

In-tank Filters

OFRT630 Series

Flows to 480 L/min (126.8 USgpm)
Pressures to 10 bar (150 PSI)

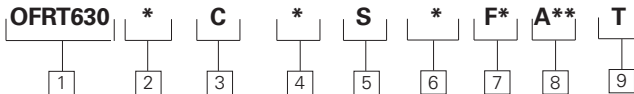


Features and Benefits

- High efficiency filter elements with superior dirt-holding capacity designed for return lines and installed semi-immersed in a reservoir.
- Excellent pressure drop characteristics.
- Indicators ordered separately.
- Bowl length options for design flexibility.
- Easy element changes.
- Bypass valve prevents excessive pressure drop and prevents element collapse and release of retained contaminant's back into hydraulic system.
- Designed to comply with ISO standards

DESIGN SPECIFICATIONS

Rated flow:	Length 1	320 L/min (84.5 USgpm)
	Length 2	400 L/min (105.7 USgpm)
	Length 3	440 L/min (116.2 USgpm)
	Length 4	480 L/min (126.8 USgpm)
Fluid compatibility:	Compatible with most petroleum oil, water glycol, oil-in-water and water-in-oil fluids, Optional seals available for phosphate esters.	
Temp range:	-25°C to 110°C (-13°F to 230°F)	
Pressure rating:	Operating	10 bar (150 PSI)
	Fatigue	10 bar (150 PSI)
Material:	Head	Die Cast Aluminum
	Cover	Aluminum
Dry weight: (Approximate)	Length 1	8,2 kg. (18.1 lbs.)
	Length 2	8,7 kg. (19.2 lbs.)
	Length 3	9,0 kg. (19.8 lbs.)
	Length 4	9,5 kg. (20.9 lbs.)



OFRT 630 Series Filter and Element Model Code

Sample model code:
OFRT6301COSAF3A06T

1 Filter Series - OFRT 630

2 Assembly Length

mm (inch)
1 - 400 (15.7)
2 - 480 (18.8)
3 - 580 (22.8)
4 - 670 (26.4)

Length given does not include diffuser

3 Bypass Options

C - Bypass set at 25 PSI cracking pressure

4 Diffuser Options

O - No diffuser
D - With diffuser

5 Breather Options

S - No breather

6 Seal Material

A - Buna-N
V - Viton-A

7 Port Options (G-threaded, F-flanged)

F1 - 2-1/2" SAE/Metric Bolt Holes
F2 - 2" and 2-1/2" dual SAE/Metric Bolt Holes
F3 - 2-1/2" SAE/Inch Bolt Holes
F4 - 2" and 2-1/2" dual SAE/Inch Bolt Holes

8 Fluid Cleanliness Rating Target fluid

Code	cleanliness level
A06	18/16/14 or better
A10	20/18/15 or better

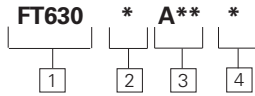
9 Indicator Options

T - No Indicator (plug), No Connector

In-tank Filters

OFRT630 Series

Flows to 480 L/min (126.8 USgpm)
Pressures to 10 bar (150 PSI)



Element model code

Sample model code:

FT6302A06A

1 Filter Element - FT 630

2 Element Length

mm (inch)

1 - 260 (10.2)

2 - 340 (13.4)

3 - 440 (17.3)

4 - 530 (20.9)

3 Fluid Cleanliness Rating

Code Target fluid cleanliness level

A06 18/16/14 or better

A10 20/18/15 or better

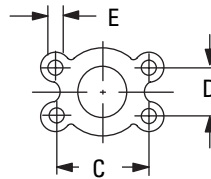
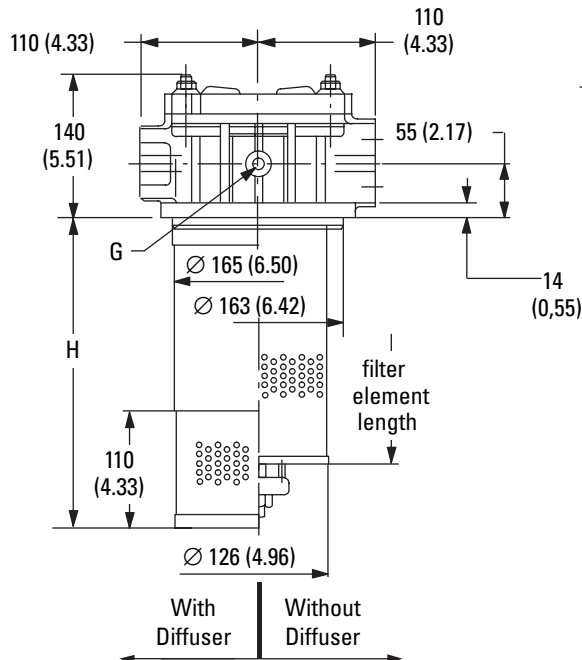
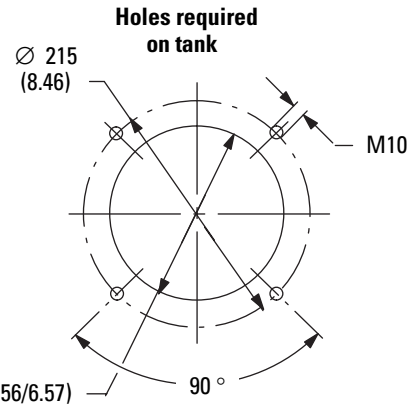
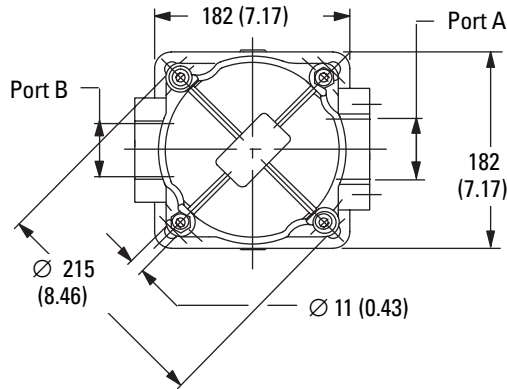
4 Seal Material

A - Buna-N

V - Viton-A

Housing Dimensions

mm (inch)



Items not in bold are non-standard and may have a longer lead time

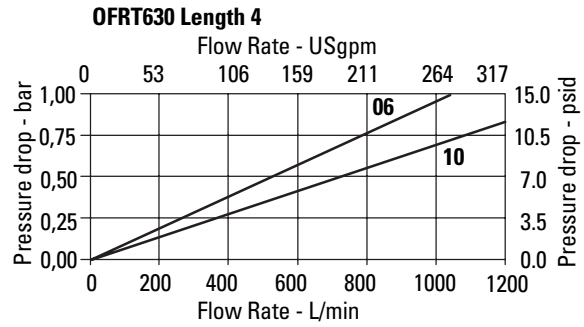
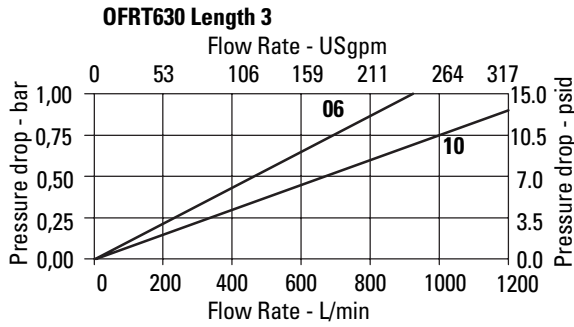
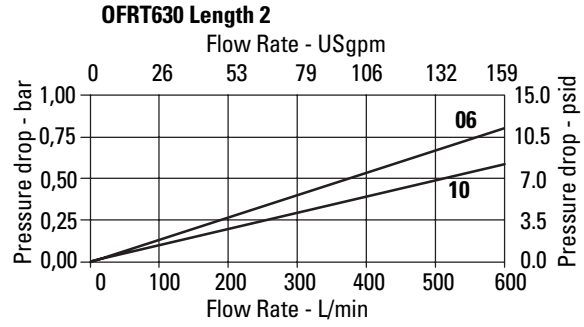
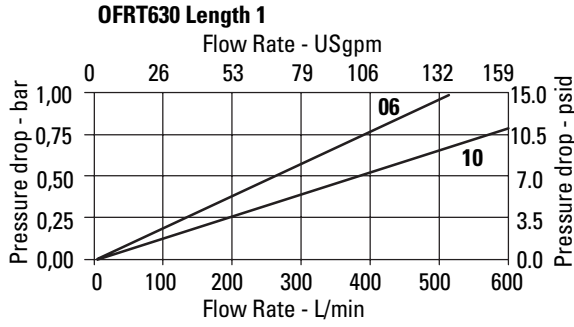
In-tank Filters

OFRT630 Series

Flows to 480 L/min (126.8 USgpm)
Pressures to 10 bar (150 PSI)

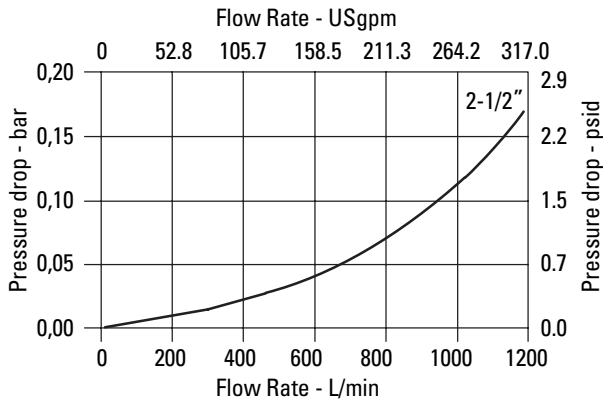
Flow Data

Element Flow Data



Housing/Bypass Valve Flow Data

Housing



Bypass Valve

Based on mineral oil with density of 0,86 kg/dm³.
ΔP varies proportionally to density.

