

In-tank Filters

ORF 1300

Flows to 1300 L/min (343 USgpm)
Pressures to 25 bar (360PSI)



Features and Benefits

- Non-welded housing design reduces stress concentrations prevents fatigue failure.
- O-ring seals are used to provide positive, reliable sealing.
- Bolt-on lid requires minimal clearance for removal.
- Reusable contamination basket prevents loss of retained contaminant's into the reservoir during element replacement.
- Clogging indicators can be serviced without interruption of the hydraulic system.
- Single piece casting provides rigidity for inline or in-tank mounting.

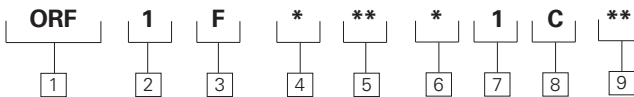
DESIGN SPECIFICATIONS

Rated flow:	Length 1	1300 L/min (343 USgpm)
Fluid compatibility:	Compatible with all petroleum oils and synthetic fluids rated for use with Fluoro-Rubber or Ethylene Propylene seals.	
Temp range:	-30°C to + 121°C (-22°F to 250°F)	
Pressure rating:	Operating	25 bar (360 PSI)
	Fatigue	25 bar (360 PSI)
Material:	Housing, Lid, Transfer Valve:	Ductile Iron
Dry weight: (Approximate)	Length 1	43kg (94.8 lbs)

ORF 1300 Series Filter and Element Model Code

Sample model code:

ORF1F2JNB1C05



1 Filter Series - ORF

2 Element Collapse Rating

1 - 250 PSI Low Collapse

3 Port Options

F - 4" SAE Flange, Code 61

4 Valve Options

- 0 - Non-Bypass
- 1 - Bypass set at 25 PSI cracking pressure
- 2 - Bypass set at 43 PSI cracking pressure
- 3 - Bypass set at 87 PSI cracking pressure

5 Indicator Options

- AN** - Visual 70 PSI, No Connector
- KN** - Visual 15 PSI, No Connector
- LN** - Visual 30 PSI, No Connector
- JN** - No Indicator (plug), No Connector
- MB** - Electrical 15 PSI, Brad Harrison
- MJ** - Electrical 15 PSI, Hirshman w 24 volt light

MK - Electrical 15 PSI, Hirshman w 115 volt light

ML - Electrical 15 PSI, Hirshman w 230 volt light

MH - Electrical 15 PSI, Hirshman

RB - Electrical 30 PSI, Brad Harrison

RJ - Electrical 30 PSI, Hirshman w 24 volt light

RK - Electrical 30 PSI, Hirshman w 115 volt light

RL - Electrical 30 PSI, Hirshman w 230 volt light

RH - Electrical 30 PSI, Hirshman

UB - Electrical 70 PSI, Brad Harrison

UJ - Electrical 70 PSI, Hirshman w 24 volt light

UK - Electrical 70 PSI, Hirshman w 115 volt light

UL - Electrical 70 PSI, Hirshman w 230 volt light

UH - Electrical 70 PSI, Hirshman

GA - Gauge 0-4 Bar (0-60 psi). Use with valve option "1"

GB - Gauge 0-10 Bar (0-160 psi). Use with valve option "2"

6 Seal Material

B - Buna-N
V - Viton-A

7 Assembly Length

mm (inch)
1 - 584 (23.0)

8 Element Construction

C - Standard Construction

9 Fluid Cleanliness Rating

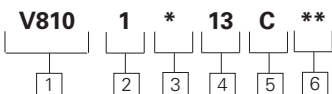
Code	Target fluid cleanliness level
03	16/14/12 or better
05	18/16/14 or better
10	20/18/15 or better
20	22/19/16 or better

Items not in bold are non-standard and may have a longer lead time

In-tank Filters

ORF 1300

Flows to 1300 L/min (343 USgpm)
Pressures to 25 bar (360PSI)



Element model code

Sample model code:
V8101B1C10

1 Filter element - V810

2 Element Collapse Rating
1 - 250 PSI Low Collapse

3 Seal material
B - Buna-N
V - Viton-A

7 Element Length
mm (inch)
1 - 253 (9.96)

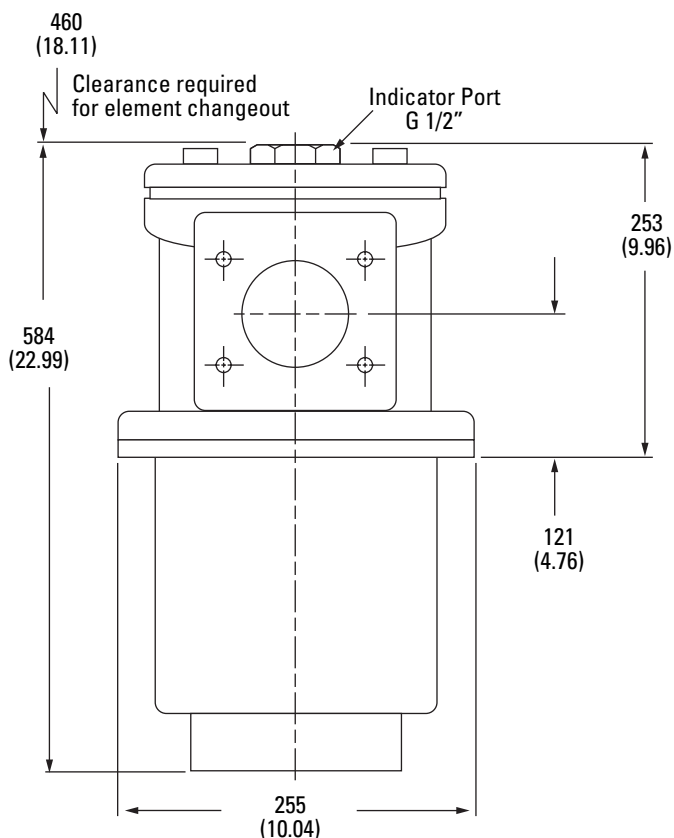
8 Element construction
C - Standard Construction

9 Fluid cleanliness rating
Target fluid cleanliness level

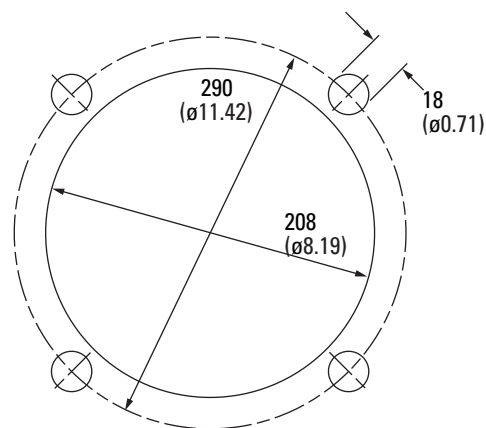
Code	Target fluid cleanliness level
03	16/14/12 or better
05	18/16/14 or better
10	20/18/15 or better
20	22/19/16 or better

Housing Dimensions

mm (inch)



Mounting Pattern



Items not in bold are non-standard and may have a longer lead time

In-tank Filters

ORF 1300

Flow Data

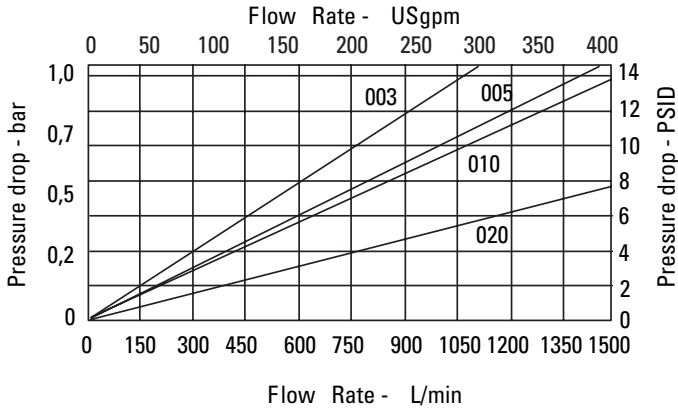
Flows to 1300 L/min (343 USgpm)
Pressures to 25 bar (360PSI)

Flow versus pressure drop:

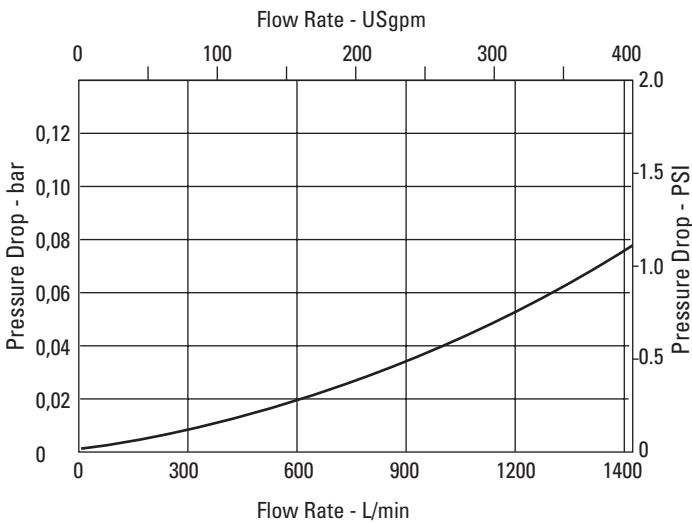
150 SUS (32 cSt) oil with specific gravity of ≤ 0.9

Element Flow Data

Element Flow



Housing



Bypass Valve

