

- Very fast response times
- Accurate output pressure
- Micro parameter settings
- Selectable I/O parameters
- Quick, full flow exhaust
- LED display indicates output pressure
- No air consumption in steady state
- Multiple mounting options
- Protection to IP65
- P31P flows to 19 dm³/s (40 scfm)
- P32P flows to 57 dm³/s (120 scfm)



P31PA Series
Bottom exhaust

P32PA Series
Bottom exhaust

Order Key

P 3	P A	2	1 A
------------	------------	----------	------------

Port size	
Global Mini (1/4")	1
Global Compact (1/2")	2

Thread type	
BSP	1
NPT	9

Port size	
Global Mini (1/4")	2
Global Compact (1/2")	4

Version	
Bottom ported exhaust NC	A
Bottom ported forced exhaust (NO) *	E

Pressure Range	
0 - 2 bar	Z
0 - 7 bar	S
0 - 10 bar	D

Power supply	
24 volts	2

Control Signal	
0-10 V	V
4-20 mA	A

Output Signal	
Digital, PNP 1)	D
PNP or 0-10V 2)	P
NPN or 0-10V 3)	N
4-20mA fixed 4)	M

Input connector	
M12 (4 pin)	1

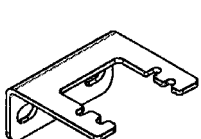
* When the supply voltage is lost the unit will automatically exhaust the regulated pressure to 0 bar (atmospheric pressure)

- 1) Digital PNP output only, no analogue output selectable
- 2) Digital PNP and analogue 0-10V outputs selectable, by means of parameter 6. (Factory default 0-10V)
- 3) Digital NPN and analogue 0-10 V outputs selectable by means of parameter 6. (Factory default 0-10V)
- 4) Analogue 4-20mA output only.

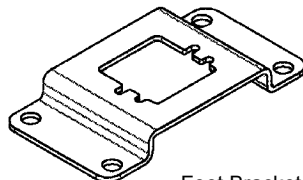
Note: On all analogue outputs the F.S. value can be adjusted by means of parameter 8

P31P Mounting brackets

Order Code	Description
P3HKA00ML	L-Bracket mounting kit
P3HKA00MC	Foot bracket mounting kit



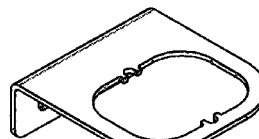
L-Bracket



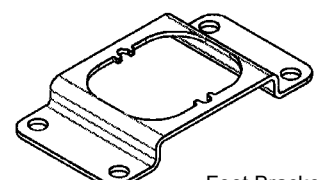
Foot Bracket

P32P Mounting brackets

Order Code	Description
P3KKA00ML	L-Bracket mounting kit
P3KKA00MC	Foot bracket mounting kit



L-Bracket



Foot Bracket

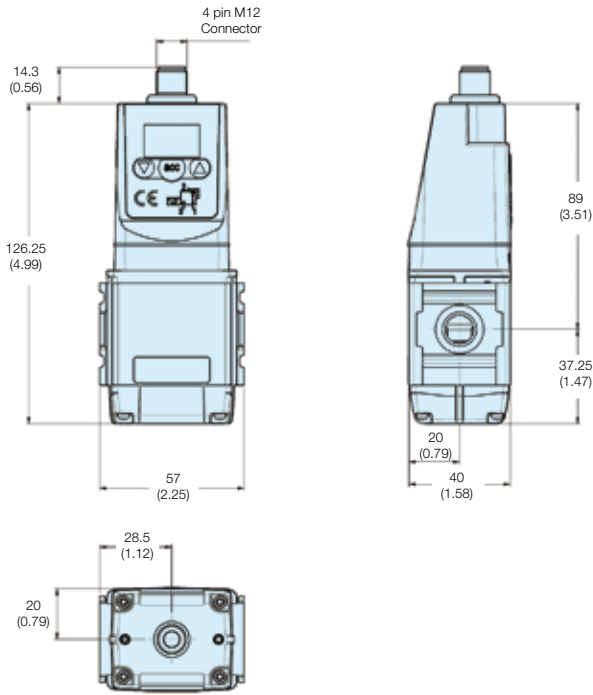
Cables

Order Code	Description
P8L-MC04A2A-M12	2 mtr. cable with moulded straight M12x1 connector
P8L-MC04R2A-M12	2 mtr. cable with moulded 90 degree M12x1 connector.

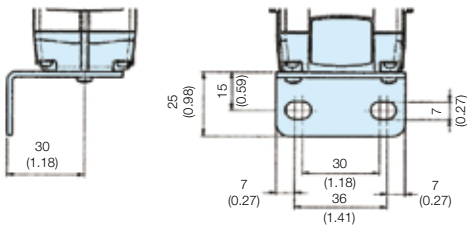
Note:

These brackets fit both Proportional Regulators and Combined Soft Start & Dump Valves.

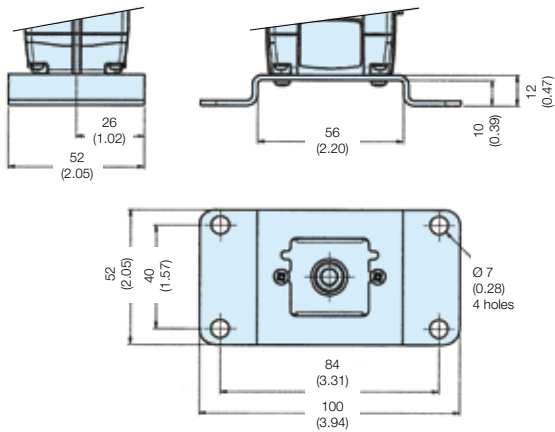
P31P



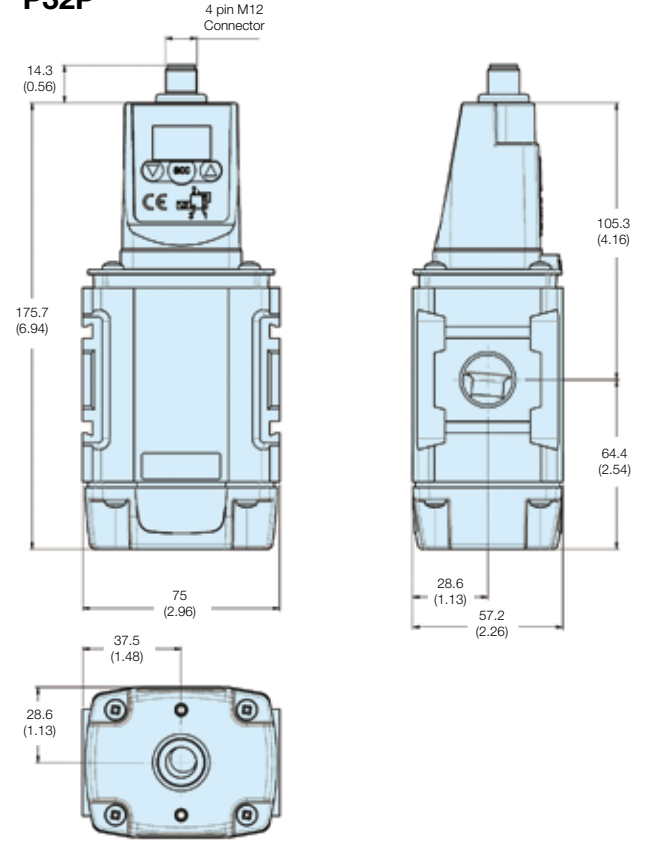
L-Bracket



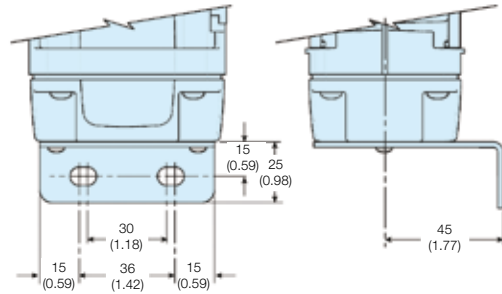
Foot Bracket



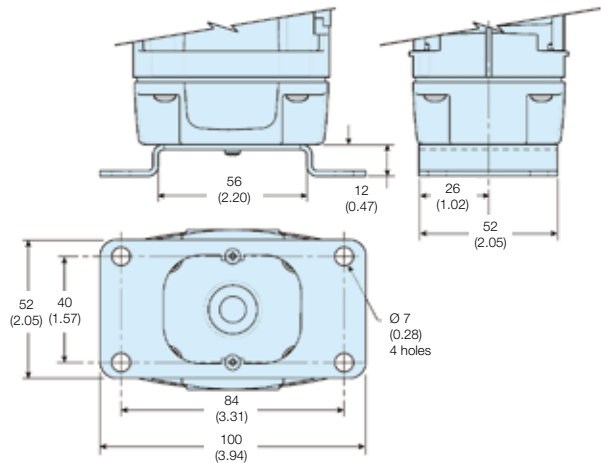
P32P



L-Bracket



Foot Bracket



Dimensions are in mm (Inches)