

**Pressure Switches G1/8", G1/4"
Series G1/4-..I / ..P**

- Suited for intrinsically safe operation
- Especially compact design
- High switching frequency
- Attractive design
- Shock proof up to 30 g



Characteristics			
Type - thread version	G1/4-0I* G1/4-2I G1/4-8I G1/4-16I	Voltage type	AC and DC
Type - flange version	G1/4-0P* G1/4-2P G1/4-8P G1/4-16P	Operating current and	AC12 to VDE0660 4A at 250 VAC AC14 to VDE0660 1A at 250 VAC DC12 to VDE0660 3A at 28 VDC DC13 to VDE0660 1A at 28 VDC
Setting range P _{min} /max (bar)	-1 to 0 0.2-2 0.5-8 1-16	CE marking	To EC Directive 73/23/EWG
Safety pressure relief P _{max}	80 80 80 80	Electrical connection	Plug to DIN EN 175301-803, Form A, ISO4400 or M12x1 - 4-pin
Port size	Type I: G1/4 internal thread, Type P: flange	Degree of protection	IP65
Mounting	2 through holes Ø 5.2	Switching element	Pole changing switch with catch spring as switching element, with self-cleaning contacts
Installation	In any position	Switching frequency	Max. 200 s/min
Weight (mass)	0.275 kg		* for vacuum operation
Medium	Filtered compressed air (10µm), lubricated or unlubricated	Material	
Medium and ambient T _{min}	-10 °C	Housing	Special aluminium die casting,
temperature range T _{max}	+80 °C	powder coated	
Consistency	±2 in relation to end-of-range value	Diaphragm, seals	Buna N
Hysteresis, vaccum version	<15%		
Vibration resistance	10 g (10 ... 2000 Hz)		
Shock resistance	30 g		
Voltage	Max. 250 V		

Selection and Mounting:

Range selection:

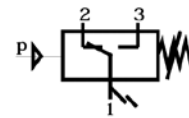
Selection is optimal when the switching points are in the middle of the switching range.

Electrical connection:

Wiring according to VDE regulations.

Tightening torque for plug: 0.7 ± 0.1 Nm

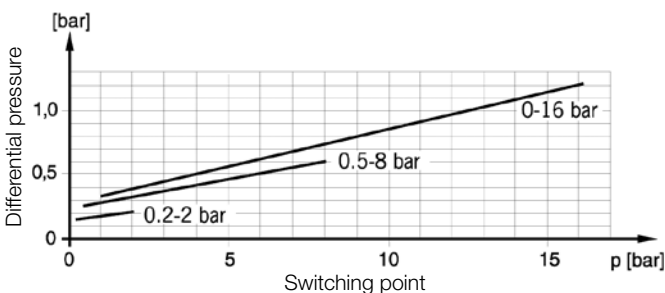
Outdoor use only with sufficient protection against critical environmental conditions (e.g. aggressive atmosphere, salty environments, high temperature changes).



Pin 1 - 3:
Rising pressure makes contact.

Pin 1 - 2:
Rising pressure breaks contact.

Switch back difference



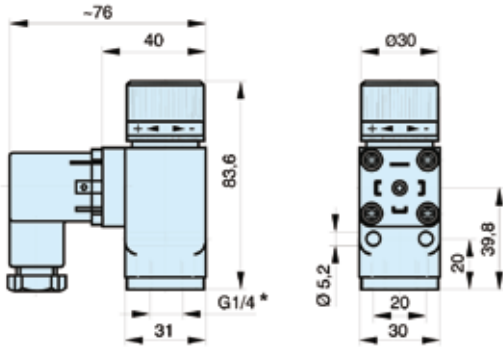
Delivery includes:

The flange version (surface roughness of flange surface 12µm) is supplied with an O-ring 5 x 1.5mm and 2 screws 5 x 35 DIN 912. Minimum thread length to be used: 4mm.

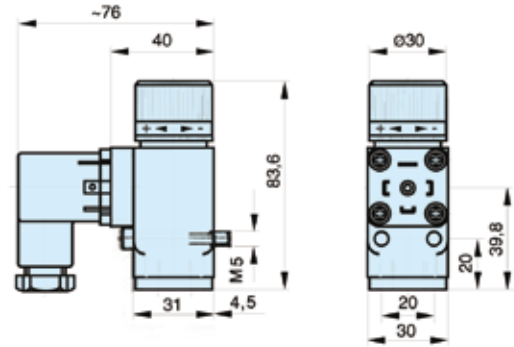
Max. diameter of the pressure opening 3mm.

Dimensions (mm)

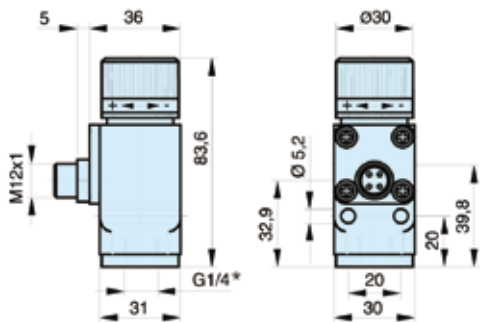
Version with internal thread and plug



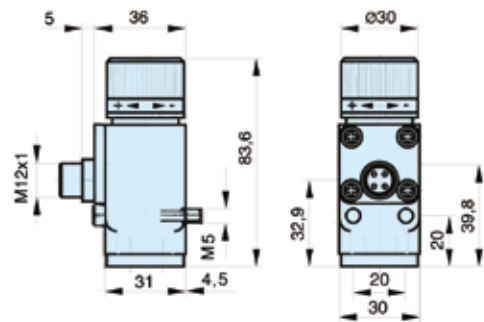
Flange version and plug



with M12 connector



with M12 connector



* Thread 11mm deep

Setting range (bar)	Type	Order code
-1 to 0	G1/4-0I-DIN	KL3200
-1 to 0	G1/4-0I-M12	KL3208
0.2 to 2	G1/4-2I-DIN	KL3201
0.2 to 2	G1/4-2I-M12	KL3209
0.5 to 8	G1/4-8I-DIN	KL3202
0.5 to 8	G1/4-8I-M12	KL3210
1.0 to 16	G1/4-16I-DIN	KL3203
1.0 to 16	G1/4-16I-M12	KL3211

Setting range (bar)	Type	Order code
-1 to 0	G1/4-0P-DIN	KL3204
-1 to 0	G1/4-0P-M12	KL3212
0.2 to 2	G1/4-2P-DIN	KL3205
0.2 to 2	G1/4-2P-M12	KL3213
0.5 to 8	G1/4-8P-DIN	KL3206
0.5 to 8	G1/4-8P-M12	KL3214
1.0 to 16	G1/4-16P-DIN	KL3207
1.0 to 16	G1/4-16P-M12	KL3215

Plugs to DIN EN 175301-803, Form A, ISO 4400

Standard version



Version with LEDs



Plugs to DIN EN 175301-803, Form A, ISO 4400

Description	Type	Order code
Standard version	GSD-30DS	KL3349
Version with LEDs 24 V	GSD-30DSL24V	KL3350
Version with LEDs 230 V	GSD-30DSL230V	KL3351