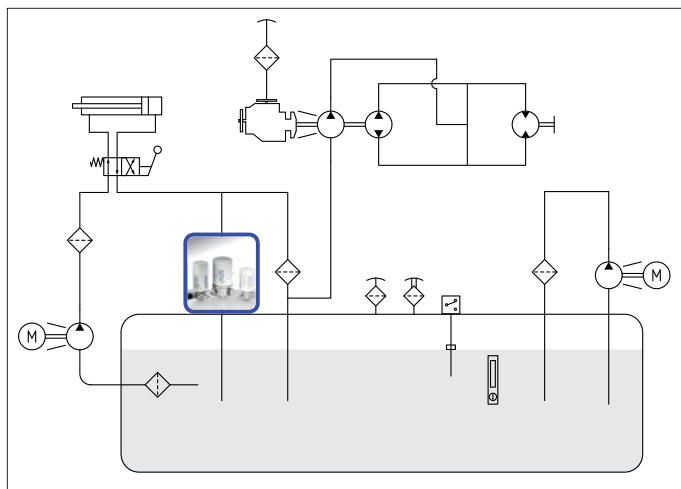


MAR



TANK-TOP RETURN LINE SPIN-ON FILTER





MAR

1,2 MPa (12 bar)

Port sizes: 3/4" ÷ 1" 1/2

Flow rates: 30 ÷ 205 l/min

TECHNICAL DATA

Max. working pressure: 1,2 MPa (12 bar)

Max. test pressure: 1,5 MPa (15 bar)

Bursting pressure: 2,5 MPa (25 bar)

Fatigue test: 0 ÷ 1,2 MPa (12 bar) / 100.000 cycles

Bypass valve: Δp 170 kPa (1,7 bar) $\pm 10\%$

Filter element collapse pressure: Δp 400 kPa (4 bar)

Working temperature: -25 ÷ +110°C

MATERIALS

Head: aluminium

Canister: steel

Seals: standard NBR

COMPATIBILITY (ISO 2943:1999)

Full with fluids: HH-HL-HM-HV-HTG

(according to ISO 6743/4).

For fluids different than the above mentioned,
please contact our Sales Department.

All tests performed according
to the following standards:

ISO 2941: Element collapse resistance test

ISO 2942: Production integrity test

ISO 2943: Fluids compatibility

ISO 3723: End load test method

ISO 3724: Flow fatigue resistance method

ISO 3968: Pressure drop versus flow rate

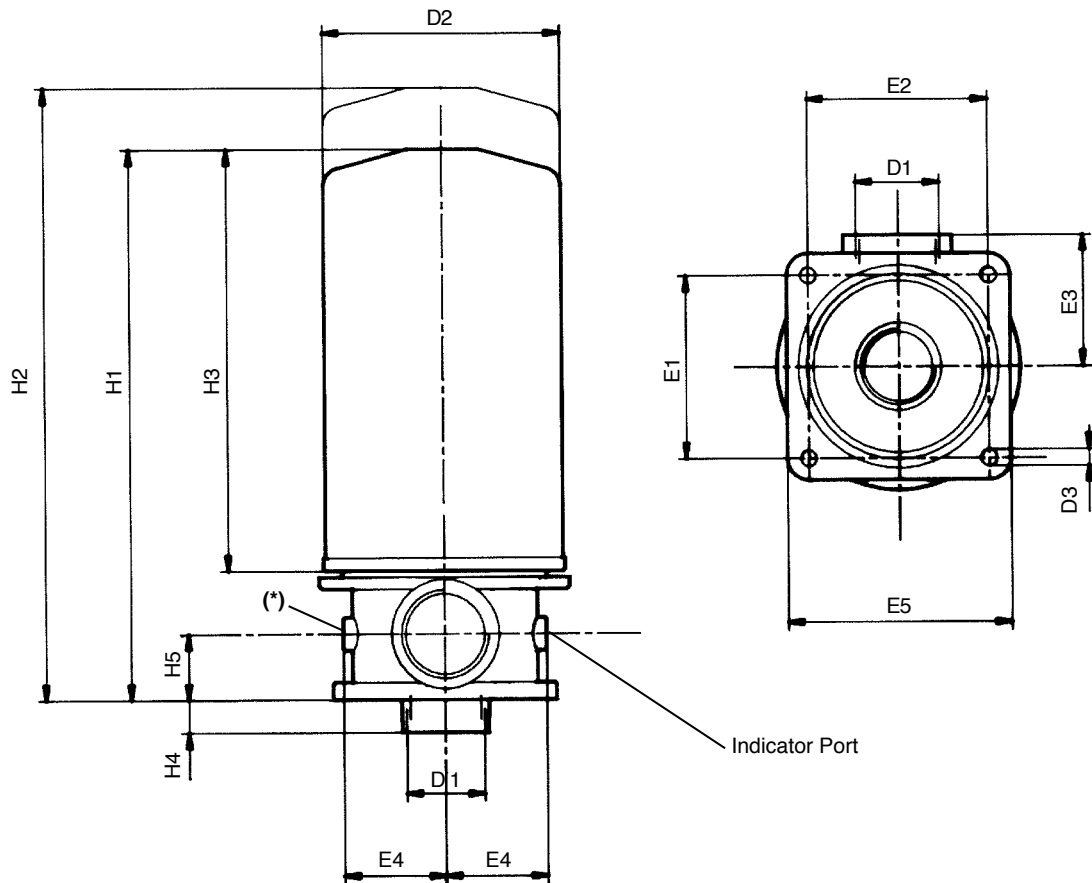
ISO 16889: Multipass test.

For further information contact our Technical Dept.

MAR	Type					Type	CCA
		151	152	301	302		
	Filter media					Filter media	
	FT = 5µm _(c)	FT	FT	FT	FT	FT = 5µm _(c)	
	FC = 7µm _(c) Inorganic fiber β>1000	FC	FC	FC	FC	FC = 7µm _(c) Inorganic fiber β>1000	
	FD = 12µm _(c)	FD	FD	FD	FD	FD = 12µm _(c)	
	FV = 21µm _(c)	FV	FV	FV	FV	FV = 21µm _(c)	
	CD = 10µ Paper	CD	CD	CD	CD	CD = 10µ Paper	
	CV = 25µ	CV	CV	CV	CV	CV = 25µ	
	MS = 60µ Steel wire mesh	MS	MS	MS	MS	MS = 60µ Steel wire mesh	
	MN = 90µ	MN	MN	MN	MN	MN = 90µ	
	Seals					Seals	
	1 = NBR Nitrile	1	1	1	1	1 = NBR Nitrile	
M	Bypass type					Bypass type	M
	M = 170 kPa (1,7 bar) with anti-drain membrane	M	M	M	M	M = 170 kPa (1,7 bar) with anti-drain membrane	
B	Ports						
	B = BSP	B	B	B	B		
	Port size						
	4 = 3/4"	4	4	-	-		
	7 = 1" 1/2	-	-	7	7		
	Indicators						
	05 = 1/8" ports, plugged	05	05	05	05		
	30 = Pressure gauge	30	30	30	30		
	P1 = Pressure switch	P1	P1	P1	P1		
XX	Accessories						
	XX = Not available	XX	XX	XX	XX		

DIMENSIONAL LAYOUT

(mm)

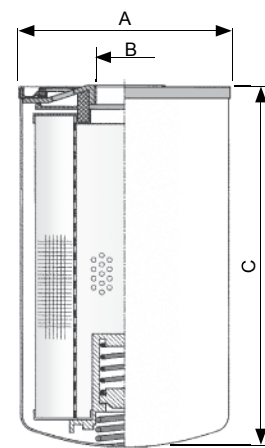


Type	D1	D2	D3	H1	H2	H3	H4	H5	E1	E2	E3	E4	E5	Weight Kg
MAR 151 ...	3/4" BSP	96	7	196	216	145	18	25	70	70	50	39	90	1,3
MAR 152 ...	3/4" BSP	96	7	241	261	191	18	25	70	70	50	39	90	1,6
MAR 301 ...	1"1/2 BSP	129	9	252	282	181	18	36	100	100	72	56	124	2,1
MAR 302 ...	1"1/2 BSP	129	9	297	327	226	18	36	100	100	72	56	124	2,2

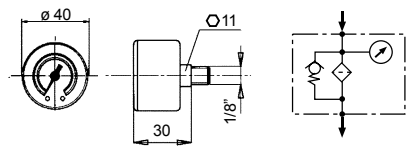
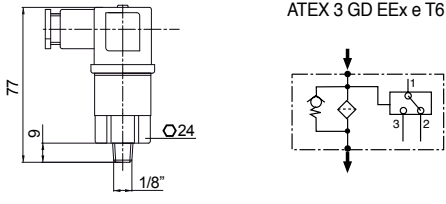
SPIN-ON ELEMENTS DIMENSIONAL LAYOUT

(mm)

Type	A	B	C	D	E	Weight Kg
CCA 151 ... M	95	145	3/4" BSP	62	72	0,6
CCA 152 ... M	95	191	3/4" BSP	62	72	0,7
CCA 301 ... M	129	181	1" 1/4 BSP	98	108	1,15
CCA 302 ... M	129	226	1" 1/4 BSP	98	108	1,4



CLOGGING INDICATORS

NBR	FKM	Pressure gauge	
30	-	Scale 0 ÷ 600 kPa (600 bar)	
NBR	FKM	Pressure switch	
P1	-	Setting 150 kPa (1,5 bar)	
<p>SPDT, C.C. 30V: > max resistive or inductive load 3A - 1A respectively C.A. 125 or 250V: > max resistive or inductive load 3A - 0,5A respectively Protection IP65 - Connector DIN 43650</p>			

FLOW RATES

(l/min)

$\Delta p = 40 \div 50 \text{ kPa} (0,4 \div 0,5 \text{ bar})$

Type	Filter Media							
	FT	FC	FD	FV	CD	CV	MS	MN
MAR 151	30	35	48	65	68	73	80	80
MAR 152	34	41	55	69	74	80	90	90
MAR 301	87	102	118	125	130	170	190	190
MAR 302	92	110	125	135	150	188	205	205

The reference fluid has a kinematic viscosity of 30 cSt and a density of 0,86 Kg/dm³.
 For different oil viscosity please contact our Sales Department for further information.

DIRT HOLDING CAPACITY

(g) ISO MTD $\Delta p = 400 \text{ kPa} (4 \text{ bar})$

Type	Filter Media			
	FT	FC	FD	FV
CCA 151...M	12,3	17,2	19,6	30,0
CCA 152...M	20,8	29,2	33,3	50,4
CCA 301...M	25,5	35,7	40,9	62,3
CCA 302...M	33,8	47,3	53,8	82,5

FILTER AREA

(cm²)

Filter Media			
MS	MN	CD	CV
980	980	3305	3305
1390	1390	4745	4745
1940	1940	5560	5560
2570	2570	7360	7360