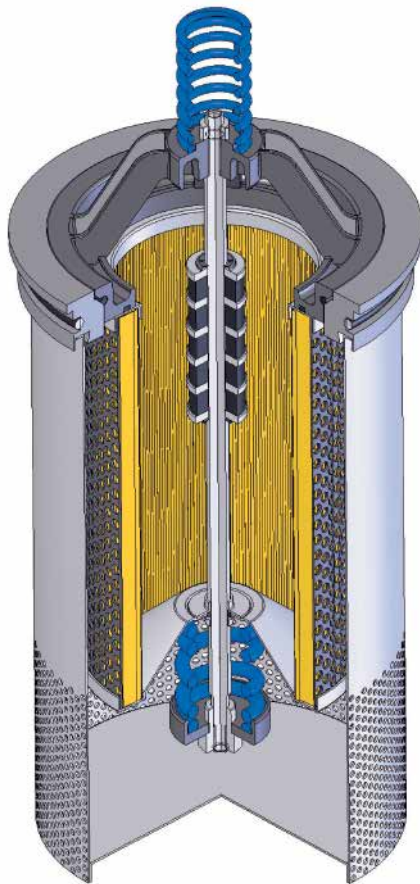
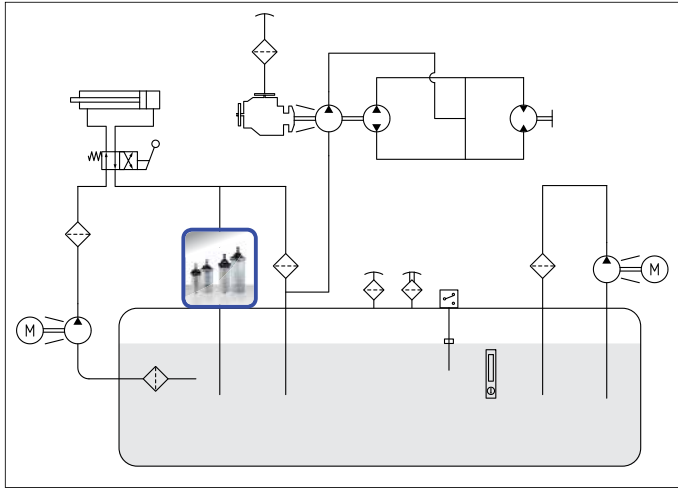


RSC



TANK INSERT RETURN FILTER, INSIDE TO OUTSIDE FILTRATION





RSC

1 MPa (10 bar)

Flow rates: 20 ÷ 2400 l/min

TECHNICAL DATA

Max. working pressure: 1 MPa (10 bar)

Max. testing pressure: 2 MPa (20 bar)

Bursting pressure: 3 MPa (30 bar)

Fatigue test: 0 ÷ 500 kPa (5 bar) / 1.000.000 cycles

Bypass valve: Δp 150 kPa (1,5 bar) \pm 0,2

Filter element collapse pressure: Δp 1 MPa (10 bar)

Working temperature: -25 ÷ +110°C

MATERIALS

Element support:

size 100 - 200 polyamide

size 300 aluminium

Diffusor: zinc plated steel

Magnetic core: synthesized magnetic material

Seals: standard NBR

on request FKM

COMPATIBILITY (ISO 2943:1999)

Full with fluids: HH-HL-HM-HV-HTG

(according to ISO 6743/4).

For fluids different than the above mentioned, please contact our Sales Department.

All tests performed according to the following standards:

ISO 2941: Element collapse resistance test

ISO 2942: Production integrity test

ISO 2943: Fluids compatibility

ISO 3723: End load test method

ISO 3724: Flow fatigue resistance method

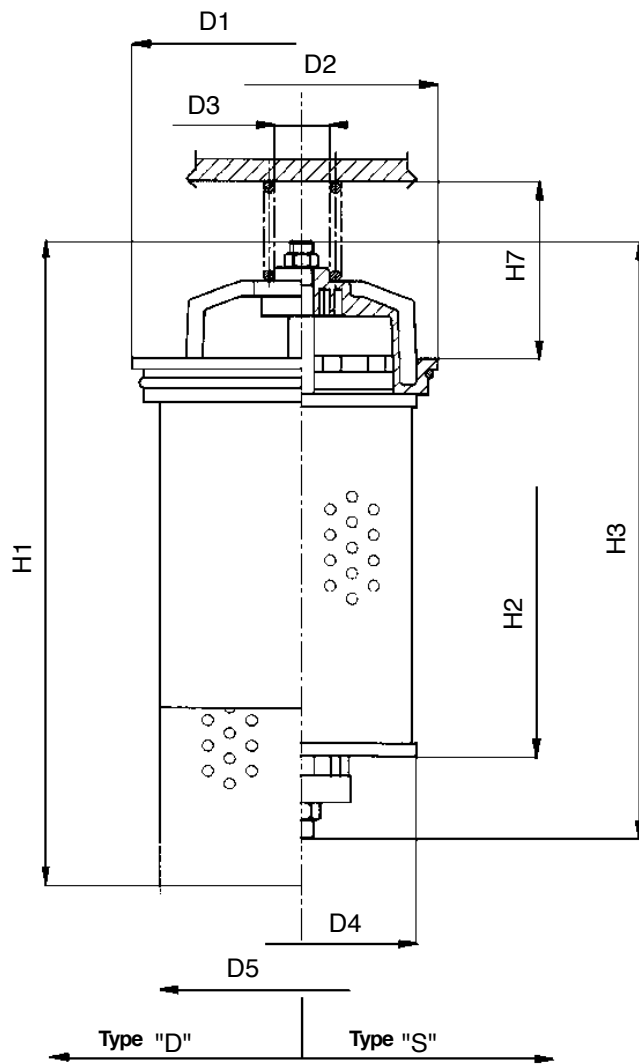
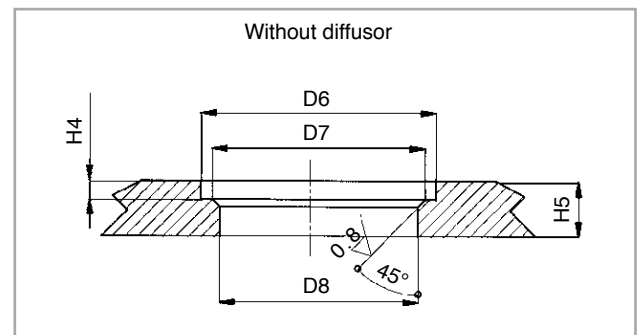
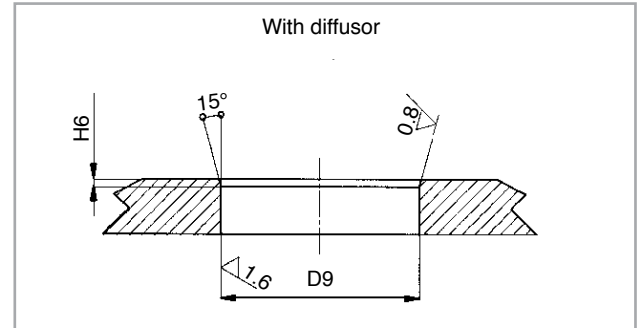
ISO 3968: Pressure drop versus flow rate

ISO 16889: Multipass test.

For further information contact our Technical Dept.

DIMENSIONAL LAYOUT

(mm)

**TANK HOLE**

Type	D1	D2	D3	D4	D5	D6	D7	D8	D9	H1	H2	H3	H4	H5	H6	H7
RSC 110	120	87	20	72	89	88	85	80	110	263,5	106	197	4	12	2,5	55
RSC 120	120	87	20	72	89	88	85	80	110	263,5	150	240	4	12	2,5	55
RSC 130	120	87	20	72	89	88	85	80	110	308,5	200	290	4	12	2,5	55
RSC 140	120	87	20	72	89	88	85	80	110	413,5	300	390	4	12	2,5	55
RSC 220	155	125,5	25	106	132	126	123,5	117	145	325	190	308	5	15	2,5	55
RSC 230	155	125,5	25	106	132	126	123,5	117	145	395	260	378	5	15	2,5	55
RSC 240	155	125,5	25	106	132	126	123,5	117	145	600	465	583	5	15	2,5	55
RSC 310	185	150	25	126	165	151	149	139	178	370,5	210	337	5	18	2,5	55
RSC 320	185	150	25	126	165	151	149	139	178	450,5	290	417	5	18	2,5	55
RSC 330	185	150	25	126	165	151	149	139	178	550	390	517	5	18	2,5	55
RSC 340	185	150	25	126	165	151	149	139	178	640	478	602	5	18	2,5	55
RSC 410	260	230	40	203	235	231	227	217	250,5	546	330	524	6	20	2,5	55
RSC 420	260	230	40	203	235	231	227	217	250,5	761	545	739	6	20	2,5	55
RSC 430	260	230	40	203	235	231	227	217	250,5	1041	825	1019	6	20	2,5	55
RSC 440	260	230	40	203	235	231	227	217	250,5	1306	1090	1284	6	20	2,5	55

FLOW RATES

(l/min)

$\Delta p = 30 \div 40$ kPa (0,3 \div 0,4 bar)

Type	Filter Media					
	FC	FD	FV	CD	RT	MS
RSC 110	20	35	100	110	125	125
RSC 120	35	50	125	125	150	150
RSC 130	50	65	180	200	250	250
RSC 140	80	120	150	170	250	250
RSC 220	80	120	150	170	250	250
RSC 230	100	140	200	230	400	400
RSC 240	160	240	300	300	400	400
RSC 310	140	180	300	300	500	500
RSC 320	120	200	380	390	500	500
RSC 330	180	310	480	500	850	850
RSC 340	250	380	600	600	1000	1000
RSC 410	620	850	1050	1050	1050	1050
RSC 420	850	1000	1200	1200	1200	1200
RSC 430	1250	2050	2400	2400	2400	2400
RSC 440	2000	2400	2400	2400	2400	2400

The reference fluid has a kinematic viscosity of 30 cSt and a density of 0,86 Kg/dm³.
For different oil viscosity please contact our Sales Department for further information.

DIRT HOLDING CAPACITY

(g) ISO MTD $\Delta p = 500$ kPa (5 bar)

Type	Media		
	FC	FD	FV
CRC 110	6,6	7,36	10,9
CRC 120	10,2	11,1	16,5
CRC 130	13,8	14,9	22,2
CRC 140	20,7	22,6	33,5
CRC 220	34,1	37,38	55,3
CRC 230	47,3	51,7	76,5
CRC 240	85,1	92,9	137,6
CRC 310	48,3	52,6	78,2
CRC 320	67,5	73,8	109,2
CRC 330	91,2	99,6	147,5
CRC 340	112,3	122,5	181,7
CRC 410	155,2	172,5	253,0
CRC 420	258,7	287,5	425,5
CRC 430	391,0	432,4	644,0
CRC 440	517,5	575,0	848,7

FILTER AREA

(cm²)

Type	Media		
	RT	MS	CD
CRC 110	460	460	1250
CRC 120	650	650	1800
CRC 130	880	880	2450
CRC 140	1320	1320	3600
CRC 220	1500	1500	4600
CRC 230	2050	2050	6400
CRC 240	3670	3670	11800
CRC 310	2250	2250	6650
CRC 320	3150	3150	9200
CRC 330	4250	4250	12400
CRC 340	5250	5250	15400
CRC 410	6400	6400	22100
CRC 420	10800	10800	37000
CRC 430	16200	16200	55500
CRC 440	21800	21800	74000

Technical data subject to variations without prior notice. RSC 9/2013