

XTT



HIGH PRESSURE INLINE FILTER



XTT

31,5 MPa (315 bar)

Port size: M22 x 1,5 - 1/2" BSP - 3/4" BSP
 Flow rate: up to 95 l/min

TECHNICAL DATA

Max. working pressure: 31,5 MPa (315 bar)
 Max. testing pressure: 63 MPa (630 bar)
 Min. bursting pressure: 110 MPa (1100 bar)

Filter element collapse pressure:
 2,1 MPa (21 bar)

Working temperature: -25°C ÷ +110°C

MATERIALS

Head: cast iron (phosphatized)
 Bowl: steel (phosphatized)
 Seals: standard NBR

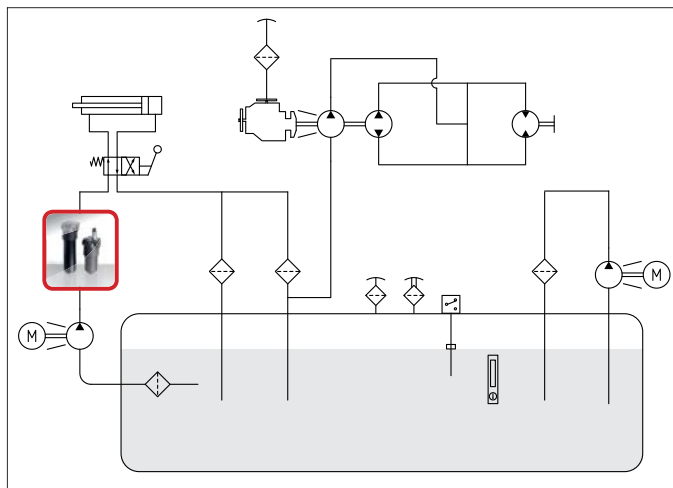
COMPATIBILITY (ISO 2943:1999)

Full with fluids: HH-HL-HM-HV-HTG (according to ISO 6743/4).
 For fluids different than the above mentioned, please contact our Sales Department.

All tests performed according to the following standards:

- ISO 2941: Element collapse resistance test
- ISO 2942: Production integrity test
- ISO 2943: Fluids compatibility
- ISO 3723: End load test method
- ISO 3724: Flow fatigue resistance method
- ISO 3968: Pressure drop versus flow rate
- ISO 16889: Multipass test.

For further information contact our Technical Dept.



CLOGGING INDICATORS

NBR	FKM	Differential VISUAL
5E	AE	Setting 500 kPa (5 bar)

NBR	FKM	Differential ELECTRICAL
X6	-	Setting 250 kPa (2,5 bar)

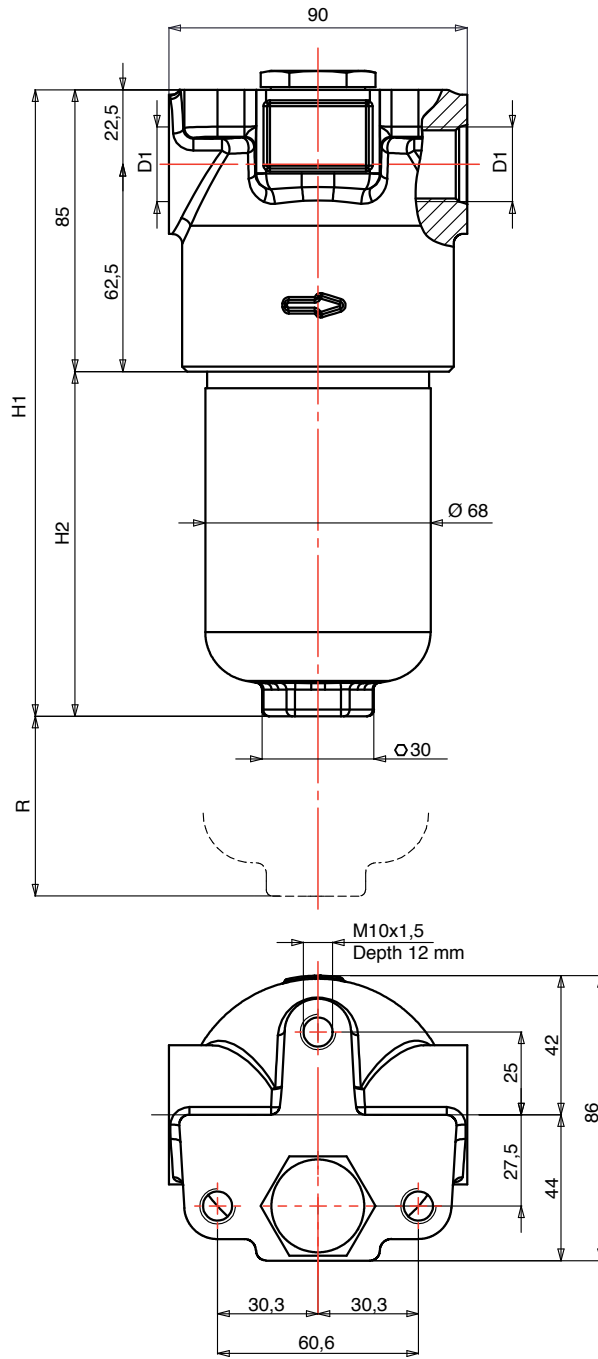
N.O. differential switch. C.C. 28-48V: > max resistive or inductive load 5 - 3A respectively
 C.A. 125-250 V: > max resistive or inductive load 4A
 Protection IP65-IP69K - Connector AMP timer

The reference fluid has a kinematic viscosity of 30 cSt and a density of 0,86 Kg/dm³.
 For different oil viscosity please contact our Sales Department for further information.

Complete Filter Code	Spare filter Element Code	Nominal Flow Rate l/min	Ports (D1)	H1	H2
XTT301 FS 1 D M3 00 XX	CCH301 FS 1	55	M 22 x 1,5	187	104
XTT301 FS 1 D M3 X6 XX	CCH301 FS 1	55	M 22 x 1,5	187	104
XTT301 FD 1 C M3 00 XX	CCH301 FD 1	50	M 22 x 1,5	187	104
XTT301 FD 1 C M3 5E XX	CCH301 FD 1	50	M 22 x 1,5	187	104
XTT301 FD 1 C B3 5E XX	CCH301 FD 1	50	1/2" BSP	187	104
XTT301 FV 1 C M3 00 XX	CCH301 FV 1	60	M 22 x 1,5	187	104
XTT306 FS 1 D M3 00 XX	CCH306 FS 1	75	M 22 x 1,5	234	149
XTT306 FS 1 D M3 X6 XX	CCH306 FS 1	75	M 22 x 1,5	234	149
XTT306 FS 1 C M3 00 XX	CCH306 FS 1	75	M 22 x 1,5	234	149
XTT302 FS 1 D M3 00 XX	CCH302 FS 1	95	M 22 x 1,5	278	199
XTT302 FS 1 D M3 X6 XX	CCH302 FS 1	95	M 22 x 1,5	278	199

DIMENSIONAL LAYOUT

(mm)



Filter Media	Dirt Holding Capacity ISO MTD (g)	Seals Material	Bypass Setting kPa (bar)	Clogging Indicator	Notes
Inorganic fiber 16 µm(c) β>1.000	10,1	NBR	340 kPa (3,4)	Without	
Inorganic fiber 16 µm(c) β>1.000	10,1	NBR	340 kPa (3,4)	Electrical 240 kPa (2,4 bar) (X6)	
Inorganic fiber 12 µm(c) β>1.000	8,2	NBR	600 kPa (6,0)	Without	
Inorganic fiber 12 µm(c) β>1.000	8,2	NBR	600 kPa (6,0)	Visual 500 kPa (5 bar) (5E)	
Inorganic fiber 12 µm(c) β>1.000	8,2	NBR	600 kPa (6,0)	Visual 500 kPa (5 bar) (5E)	
Inorganic fiber 21 µm(c) β>1.000	12,1	NBR	600 kPa (6,0)	Without	
Inorganic fiber 16 µm(c) β>1.000	14,4	NBR	340 kPa (3,4)	Without	
Inorganic fiber 16 µm(c) β>1.000	14,4	NBR	340 kPa (3,4)	Electrical 240 kPa (2,4 bar) (X6)	
Inorganic fiber 16 µm(c) β>1.000	14,4	NBR	600 kPa (6,0)	Without	
Inorganic fiber 16 µm(c) β>1.000	18,7	NBR	340 kPa (3,4)	Without	
Inorganic fiber 16 µm(c) β>1.000	18,7	NBR	340 kPa (3,4)	Electrical 240 kPa (2,4 bar) (X6)	

Technical data subject to variations without prior notice. XTT 10/2012