

XTU



HIGH PRESSURE INLINE FILTER



XTU

31,5 MPa (315 bar)

Port size: M22 x 1,5 - 3/4" BSP

Flow rate: up to 95 l/min

TECHNICAL DATA

Max. working pressure: 31,5 MPa (315 bar)

Max. testing pressure: 63 MPa (630 bar)

Min. bursting pressure: 110 MPa (1100 bar)

Filter element collapse pressure:
2,1 MPa (21 bar)

Working temperature: -25°C ÷ +110°C

MATERIALS

Head: cast iron (phosphatized)

Bowl: steel (phosphatized)

Seals: standard NBR

COMPATIBILITY (ISO 2943:1999)

Full with fluids: HH-HL-HM-HV-HTG
(according to ISO 6743/4).

For fluids different than the above mentioned, please contact our Sales Department.

All tests performed according to the following standards:

ISO 2941: Element collapse resistance test

ISO 2942: Production integrity test

ISO 2943: Fluids compatibility

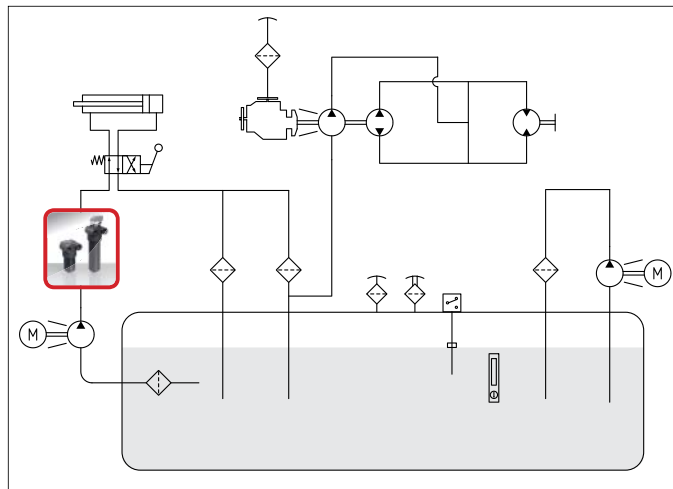
ISO 3723: End load test method

ISO 3724: Flow fatigue resistance method

ISO 3968: Pressure drop versus flow rate

ISO 16889: Multipass test.

For further information contact our Technical Dept.



CLOGGING INDICATORS

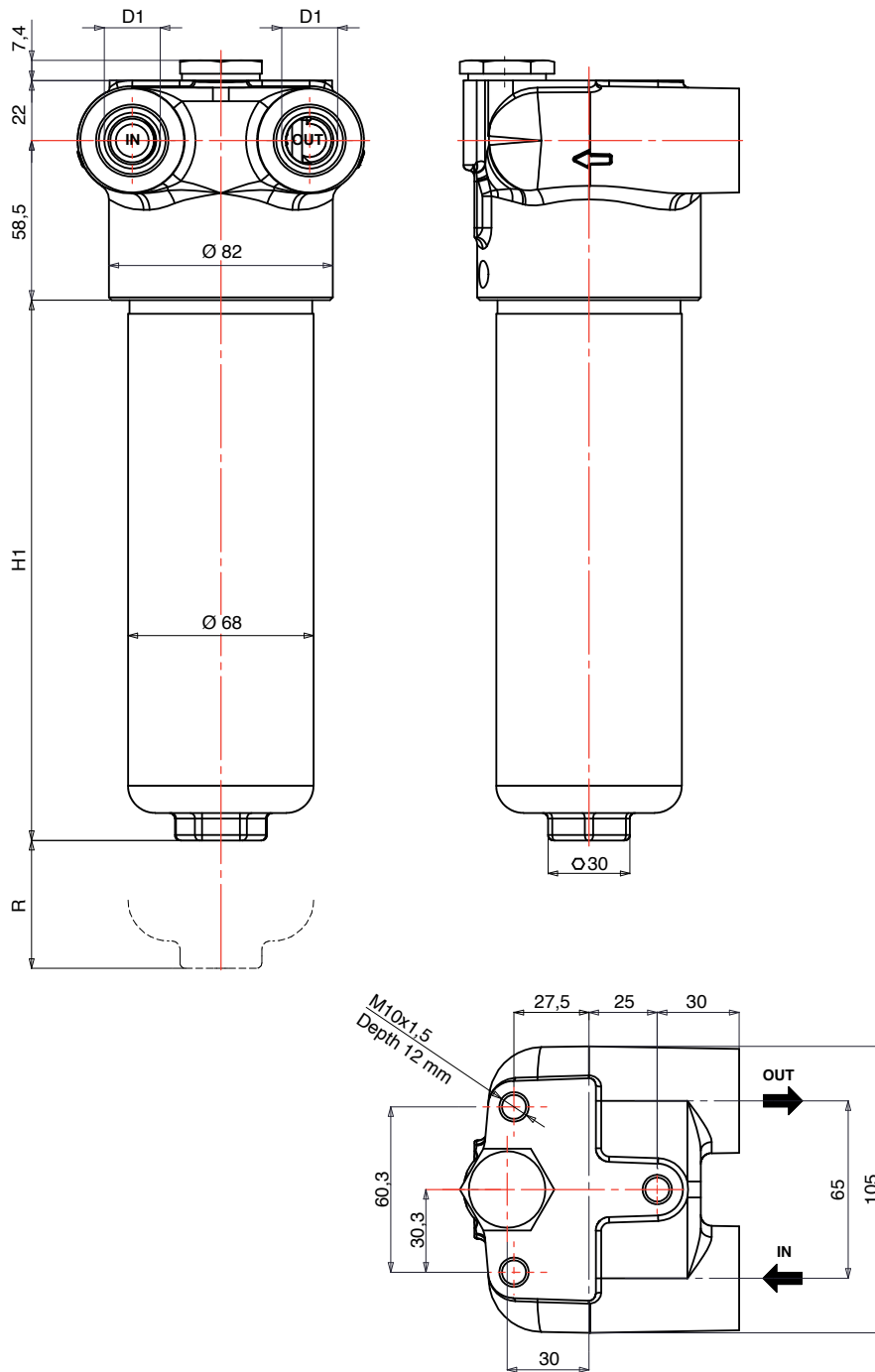
NBR	FKM	Differential ELECTRICAL	
X6	-	Setting 250 kPa (2,5 bar)	
<p>N.O. differential switch. C.C. 28-48V: > max resistive or inductive load 5 - 3A respectively C.A. 125-250 V: > max resistive or inductive load 4A Protection IP65-IP69K - Connector AMP timer</p>			<p>Recommended tightening torque 54 Nm</p>

The reference fluid has a kinematic viscosity of 30 cSt and a density of 0,86 Kg/dm³.
For different oil viscosity please contact our Sales Department for further information.

Complete Filter Code	Spare Filter Element Code	Nominal Flow Rate l/min	Ports (D1)	H1
XTU301 FD 1 C M3 00 XX	CCH301 FD 1	50	M 22 x 1,5	104
XTU301 FS 1 D M3 X6 XX	CCH301 FS 1	55	M 22 x 1,5	104
XTU306 FD 1 D B4 03 XX	CCH306 FD 1	70	"3/4" BSP	149
XTU306 FS 1 D M3 X6 XX	CCH306 FS 1	75	M 22 x 1,5	149
XTU306 FS 1 D M3 00 XX	CCH306 FS 1	75	M 22 x 1,5	149
XTU302 FD 1 D B4 03 XX	CCH302 FS 1	95	M 22 x 1,5	199

DIMENSIONAL LAYOUT

(mm)



Filter Media	Dirt Holding Capacity ISO MTD (G)	Seals Material	Bypass Setting kPa (bar)	Clogging Indicator	Notes
Inorganic fiber 12 µm(c) β>1.000	8,2	NBR	600 kPa (6,0)	Without	
Inorganic fiber 16 µm(c) β>1.000	10,1	NBR	340 kPa (3,4)	Electrical 240 kPa (2,4 bar) (X6)	
Inorganic fiber 12 µm(c) β>1.000	11,9	NBR	340 kPa (3,4)	Port, plugged	
Inorganic fiber 16 µm(c) β>1.000	14,4	NBR	340 kPa (3,4)	Electrical 240 kPa (2,4 bar) (X6)	
Inorganic fiber 16 µm(c) β>1.000	14,4	NBR	340 kPa (3,4)	Without	
Inorganic fiber 16 µm(c) β>1.000	18,7	NBR	340 kPa (3,4)	Port, plugged	

Technical data subject to variations without prior notice. XTU 10/2012