



SP15/25

Max Flow: 30 gpm (114 lpm)



SP15/25 Spin-On Filters

Maximum Working Pressures to: 150 *psi*
1034 kPa
10.3 bar

Rated Static Burst to: 375 *psi*
2590 kPa
25.9 bar

Flow Range To: 30 *gpm*
114 *lpm*



Features

The SP15/25 series are economical, low pressure filters with spin-on convenience and a wide range of cleanliness ratings. Filters are available with the bypass ratings of your choice – 25 psi, 15 psi, 5 psi or no bypass. Take advantage of our mix and match system of in-stock heads and filters, so you can get exactly what you need. Choose the media type and configuration that's best for your application. Options include Donaldson's exclusive Synteq™, natural fiber cellulose, stainless steel wire-mesh or water absorbing media.

Beta Rating

- Performance to $\beta_{7(c)}=1000$

Porting Size Options

- 1/2", 3/4" NPT
- SAE-8, -12 O-ring

Replacement Filter Lengths

- Synteq™ 5.35" / 136 mm
7.87" / 200 mm
- Cellulose 5.35" / 136 mm
7.87" / 200 mm
- Wire Mesh 5.35" / 136 mm
- Water Absorbing 5.35" / 136 mm

Standard Bypass Ratings

- 25 *psi* / 172.5 kPa / 1.7 bar
- 15 *psi* / 97 kPa / .97 bar
- 5 *psi* / 34.5 kPa / .34 bar
- No Bypass

Assembly Weight

- 5.35": 1.6 lbs / .7 kg (approximately)
- 7.87": 2.2 lbs / 1 kg (approximately)

Operating Temperatures

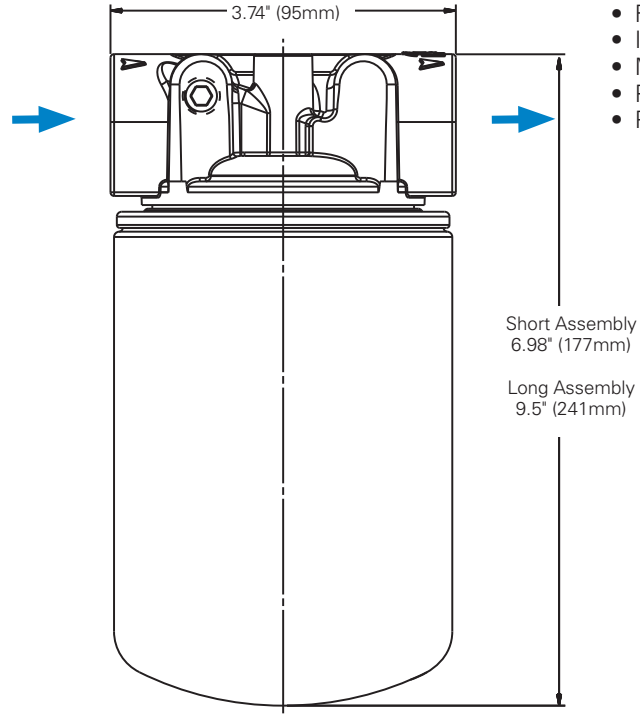
- -22°F to 225°F / -30°C to 107°C

Collapse Ratings

- 100 *psid* / 690 kPa / 6.9 bar (standard)

SP15/25 Specification Illustrations

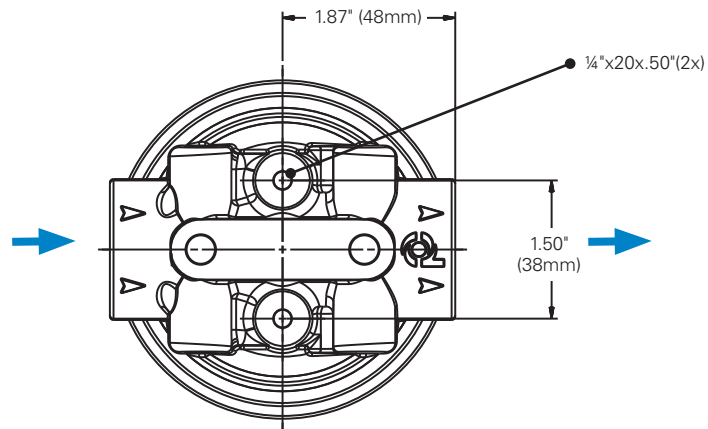
Assembly - Side View



Applications

- Fluid Conditioning Systems
- In-Plant Systems
- Mobile Equipment
- Power Transmissions
- Process Systems

Head - Top View





SP15/25

Max Flow: 30 gpm (114 lpm)



SP15/25 Components

Filter Choices

Media Type	$\beta_{x(c)} = 2$ Rating based on ISO 16889	$\beta_{x(c)} = 1000$	Length in mm		Donaldson Part No.	Comments
DT Synteq Synthetic	5 μm		5.35	136	P564967	
Synteq Synthetic	9 μm		7.87	200	P564357	
	9 μm		7.87	200	P179089	
	9 μm		5.35	136	P560693	
	23 μm		5.35	136	P560694	
Cellulose	5 μm		5.35	136	P565061	
	7 μm		5.35	136	P551551	
	7 μm		7.87	200	P565059	
	17 μm		5.35	136	P551553	
	17 μm		7.87	200	P565060	
Water Absorbing	10 μm		5.35	136	P565062	Absorbs approximately 6 oz/170 ml of water @ 20 psid/1.4 bar
Wire Mesh	150 μm		5.35	136	P550274	100 mesh

Filter Notes

* Thread size 1"-12 UNF

- Some part numbers are offered with the same beta ratings to maintain customer ordering patterns.

Head Choices

Port Size	Bypass Range	Gauge ports (drill, tap, plug)	Gauge Port Location	Donaldson Part No.
1/2" NPT	15 psi / 103.4 kPa / 1.34 bar	(2) 1/8" NPT	upstream side	P563288
3/4" NPT	25 psi / 172.5 kPa / 1.72 bar	(2) 1/8" NPT	upstream side	P561131
3/4" NPT	5 psi / 34.5 kPa / .34 bar	(2) 1/8" NPT	downstream side	P561132
3/4" NPT	25 psi / 172.5 kPa / 1.72 bar	none	na	P561134
3/4" NPT	5 psi / 34.5 kPa / .34 bar	none	na	P561135
3/4" NPT	none	none	na	P561136
3/4" NPT	15 psi / 103.4 kPa / 1.34 bar	none	na	P563278
SAE-12	none	none	na	P561133
SAE-12	none	(1) SAE-4	upstream side, LH	P561137
SAE-12	5 psi / 34.5 kPa / .34 bar	none	na	P561140
SAE-12	25 psi / 172.5 kPa / 1.72 bar	none	na	P561141
SAE-12	15 psi / 103.4 kPa / 1.34 bar	none	na	P563279
SAE-12	25 psi / 172.5 kPa / 1.72 bar	(2) 1/8" NPT	upstream side	P563280
SAE-12	15 psi / 103.4 kPa / 1.34 bar	none	M6 mtg. threads	P563287
SAE-8	25 psi / 172.5 kPa / 1.72 bar	none	na	P561138



Mix and Match

Donaldson's mix and match system provides the great performance and functional advantages of custom engineered filters with the convenience and speedy delivery of in-stock parts. Choose your options and build a filter model to suit your specifications.

Gaskets


Each filter ships with a 3-seal kit, containing an "L" shaped, a square cut, and an O-ring gasket seal, unless otherwise noted. Use only one of the following seals. Installation instructions can be found in the technical reference section.

L Shaped 

Use with filter heads with no groove or a wide groove.

Square Cut 

Use with filter heads with a narrow groove.

O-Ring -246 

Use with Donaldson HBK05 heads only.

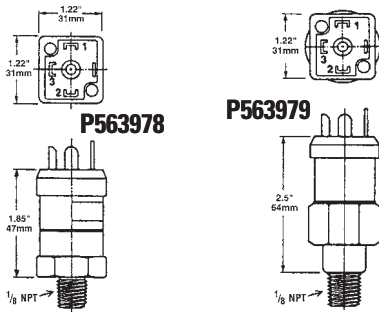
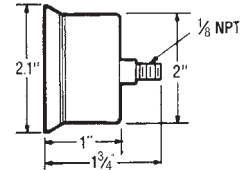
Filter Service Gauges - Visual Indicators

Donaldson Part No.	Pressure Range	Use With Bypass Valve Rating	Type
P563978	5 to 30 psi field adj.*	15 psi / 103.4 kPa / 1.34 bar or 25 psi / 172.5 kPa / 1.72 bar or No Bypass	Return indicator, electrical
P563979	-5 to 15 in Hg	5 psi / 34.5 kPa / .34 bar Hg field adj.* or No Bypass	Suction indicator, electrical
P563296	0 to 100 psi	15 psi / 103.4 kPa / 1.34 bar or 25 psi / 172.5 kPa / 1.72 bar or No Bypass	Return indicator, numeric scale
P563297	0 to 100 psi	15 psi / 103.4 kPa / 1.34 bar Bypass	Return indicator, color coded
P563298	0 to 100 psi	25 psi / 172.5 kPa / 1.72 bar or No Bypass	Return indicator, color-coded
P563299	0 to -20 Hg	5 psi / 34.5 kPa / .34 bar or No Bypass	Suction indicator, numeric scale



Notes
*NOT PRESET:
Setting adjustable for desired application

P563296 - P563299



#1 Common; #2 Normally Closed;
#3 Normally Open

Instructions

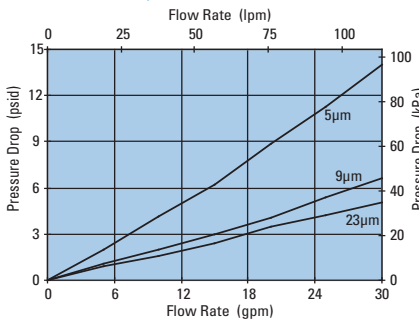
1. Remove DIN adaptor
2. Remove small brass screw
3. Using 1/8" allen wrench adjust clockwise to increase set point/counter-clockwise to decrease set point
4. NO / NC

Adjustment screw located in center of electronic prongs

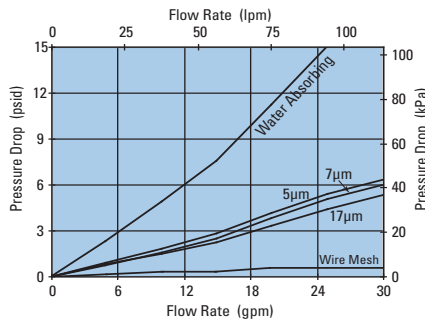


Performance Data

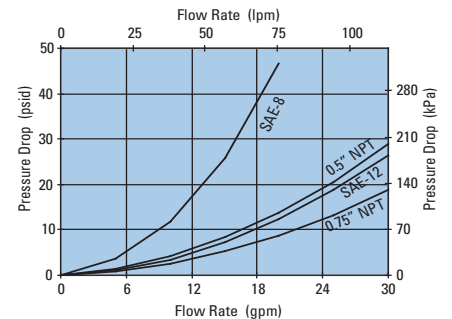
SP15 Filter Only
(Synthetic, 5.35"/136mm)



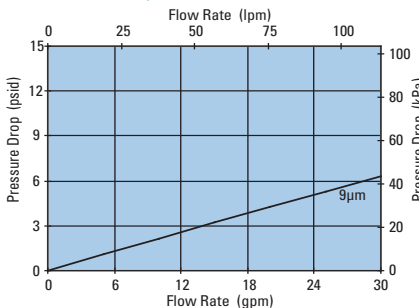
SP15 Filter Only
(Cellulose, 5.35"/136mm)



SP15/25 Head Only



SP25 Filter Only
(Synthetic, 7.87"/200mm)



SP25 Filter Only
(Cellulose, 7.87"/200mm)

