



SRK Combo

Max Flow: 79 gpm (300 lpm)

SRK Suction/Return Combination In-Tank Filters

Working Pressures to: 145 *psi*
10 bar

Rated Static Burst to: 217 *psi*
15 bar

Flow Range to: 79 *gpm*
300 *lpm*

Features

The SRK series of tank-mounted suction and return filters are popular choices for hydrostatic transmissions. The filtered flow is maintained at a slight backpressure to provide clean, pressurized oil, mainly for charge pumps in hydrostatic transmission systems. The pressurized flow is designed to reduce cavitation risks. This patented design uses an integrated main flow and bypass flow filter filter, which is capable of delivering filtered and pressurized oil, even in bypass situations. Emergency suction flow is also filtered. The SRK operates in a standard flow (outside to inside) configuration. SAE O-Ring ports are standard to meet popular application requirements.

- 4-point mounting
- Head material: aluminum
- Housing material: steel

Buna-N® is a registered trademark of E. I. DuPont de Nemours and Company.

- Cover material: glass-filled nylon
- Buna-N® seals standard
- Main filters include integrated bypass filters



Applications

- Hydrostatic Transmissions
- Mobile Equipment

Beta Rating (per ISO 16889)

- Performance to $\beta_{13(c)}=1000$

Porting Size Options

- Inlet: SAE-16, -20 O-ring
- Outlet: SAE-16 O-Ring

Assembly Weight

- 10.8 lbs / 4.9 kg

Replacement Filter Lengths

- 18.6"/472 mm

Standard Bypass Rating

- 36 *psi* / 250 kPa / 2.5 bar

Standard Backpressure Rating

- 7.3 *psi* / 50 kPa / 0.5 bar

Operating Temperatures

- -22°F to 212°F / -30°C to 100°C

Filter Collapse Rating

- 145 *psid* / 1000 kPa / 10 bar

Return Flow Rate

- 79 *gpm* (300 *lpm*)

Emergency Suction Flow Rate

- 27 *gpm* (100 *lpm*)

SRK Filter Assemblies

Donaldson Part No.	Inlet Port Connections	Outlet Port Connections	Bypass Valve	Emergency Suction	Comments
K041634	SAE-20 & SAE-16	(2) - SAE-16	36 psi (2.5 bar)	125 µm Wire Mesh	Indicator not included

Filter Choices

Media Type	$\beta_{x(c)} = 1000$ Rating based on ISO 16889	Length in mm	Donaldson Part No.	Bypass	Comments
Synteq Synthetic	13 µm	18.6 472	P765457	125 µm Wire	For Combo 300 Assemblies

- Standard collapse designs are double wire-backed using epoxy-coated steel mesh for maximum pleat support and dirt capacity.
- All SRK filters are standard flow (outside to inside).
- Buna-N seals are standard on all SRK filters.

Suction Filter Choices

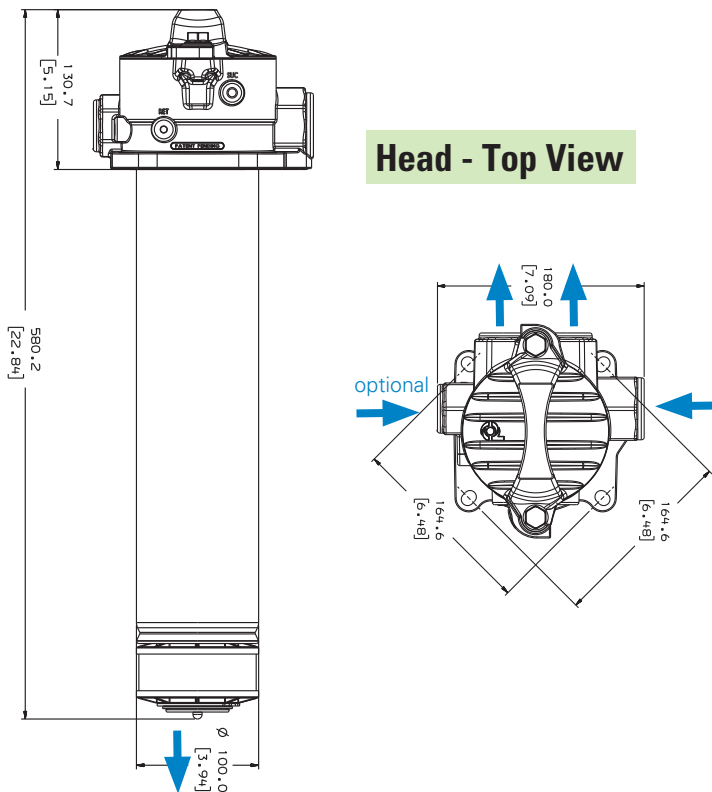
Media Type	$\beta_{x(c)} = 2$ Rating based on ISO 16889	Length in mm	Donaldson Part No.
Wire Mesh	125 µm	1.98 50.2	P764183

Indicator Options

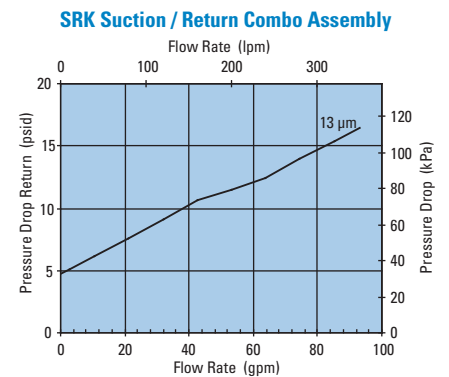
Part Number	Set Point	Style	Connection
P764467	36 psi (2.5 bar)	30 VDC, N.O.	G1/8"
P764613	36 psi (2.5 bar)	30 VDC, N.C.	G1/8"
P764612	36 psi (2.5 bar)	Visual	G1/8"

Assembly - Side View

All dimensions are shown in millimeters [inches].



Performance Data



Flow Schematic

