

Return Line Filters - Type RTF50


Product Description

STAUFF RTF50 Return Line Filters are designed for tank top applications with a maximum pressure of 6,9 bar / 100 PSI. The filter bowl is designed to return the oil beneath the surface thus preventing entrainment of air. The RTF58 elements interchange with the popular "K" series and RTF59 elements interchange with the "RE-409" series elements.

Technical Data
Construction

- Tank Top flange mounting

Materials

- Filter head: Aluminum
- Filter bowl: Bowl length 1: Polyamide
Bowl length 2: Steel
- Sealings: NBR (Buna-N®)
Other sealing materials on request

Port Connection

- BSP
- NPT
- SAE O-ring thread

Flow Rating

- Up to 379 l/min / 100 US GPM

Operating Pressure

- Max. 6,9 bar / 100 PSI

Temperature Range

- -25°C ...+95°C / -13°F ... +203°F

Filter Elements

- Specifications see page C114

Media Compatibility

- Mineral oils, other fluids on request

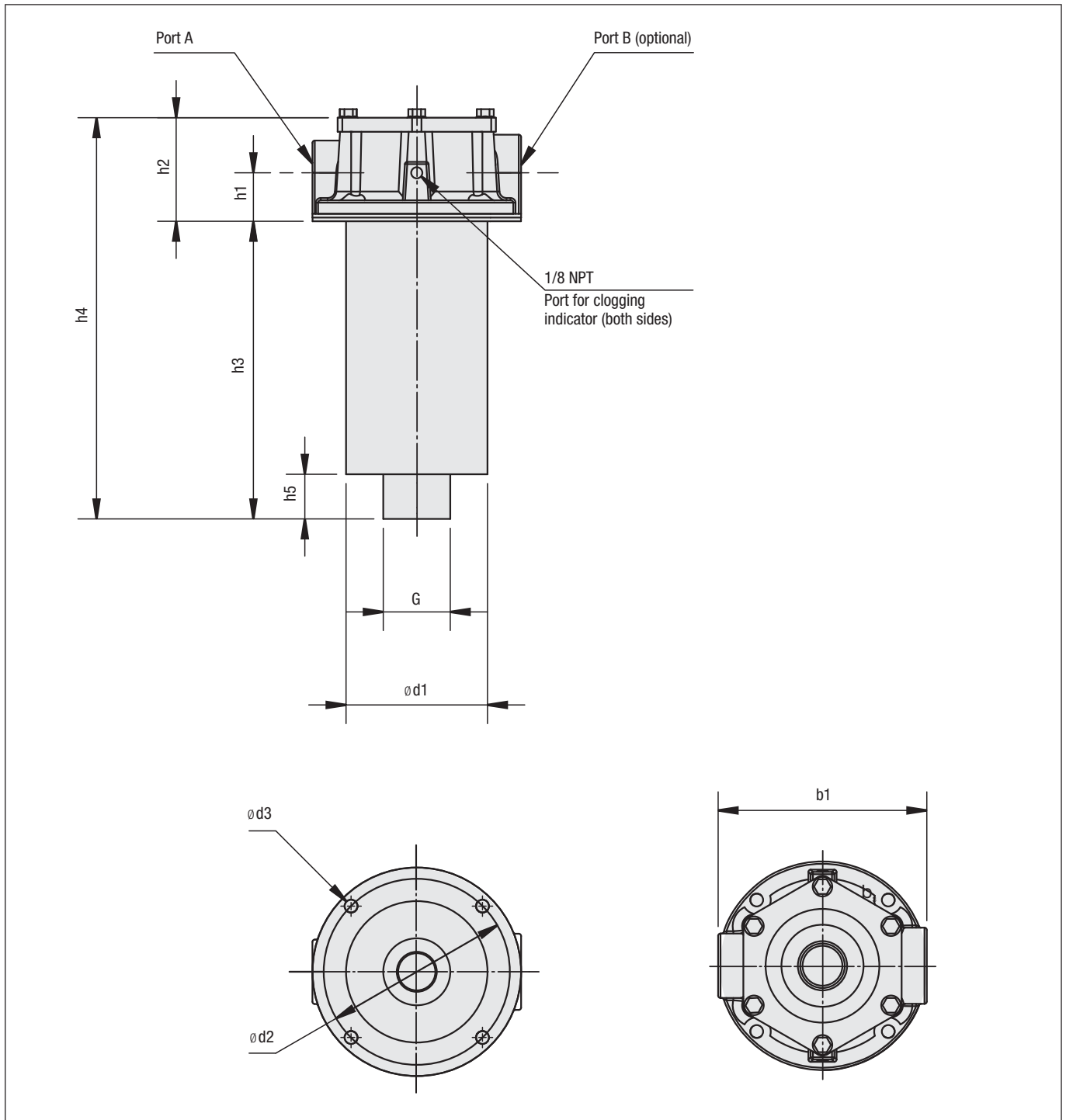
Options and Accessories
Valve

- Bypass valve: Opening pressures 1 bar / 14.5 PSI \pm 10 % or 1,7 bar / 25 PSI \pm 10 %
Other settings available on request

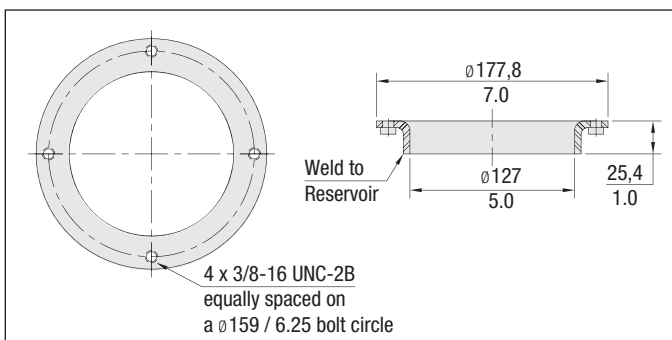
Clogging Indicators

- Visual clogging indicator, coloured segments
- Electrical clogging switch, adjustable
Other clogging indicators available on request

Return Line Filters - Type RTF50



Return Line Filters - Type RTF Accessories



Dimensions in mm / in

RTF50 Series Weld Ring WR-40

The WR-40 weld ring is welded directly to the hydraulic reservoir, eliminating the need for drilling and tapping mounting holes in the reservoir.

Material: Carbon Steel

Return Line Filters ■ Type RTF50

Thread Connection Combinations	Filter Size RTF			
	5...S1		5...S2	
	Port A	Port B	Port A	Port B
NPT (N)	1-1/4	None	1-1/4	None
NPT (NM)	1-1/4	1-1/2	1-1/4	1-1/2
NPT (M)	None	1-1/2	None	1-1/2
Combination SAE & NPT (SM)	1-5/8-12	1-1/2	1-5/8-12	1-1/2
SAE (S)	1-5/8-12	None	1-5/8-12	None
SAE (T)	None	1-7/8-12	None	1-7/8-12
SAE (ST)	1-5/8-12	1-7/8-12	1-5/8-12	1-7/8-12
Combination NPT & SAE (NT)	1-1/4	1-7/8-12	1-1/4	1-7/8-12

Dimensions (mm/in)	Filter Size RTF	
	5...S1	5...S2
	h1	49,3 1.94
h2	95,5 3.78	88,5 3.48
h3	241,3 9.50	485,9 19.13
h4	336,8 13.26	574,9 22.61
h5	29,5 1.16	38,1 1.50
b1	177,8 7.00	177,8 7.00
d1	124,8 4.91	126 4.96
d2	158,7 6.25	158,7 6.25
d3	11,2 .44	11,2 .44
G	1-1/2 NPT	1-1/2 NPT

Return Line Filter Housings / Complete Filters ■ Type RTF50

RTF **58** **...** **...** **B** / **N** / **25** / **S2** / **V** / **X**

1 2 3 4 5 6 7 8 9 10

1 Type

Return Line Filter **RTF**

2 Group

Flow	Size
Group size 58	58
Group size 59	59

Note: Exact flow will depend on filter element selected.
Consult technical data on page C120.

3 Filter Material

Material	Max. Δp^* collapse	Micron ratings available	Code
Without filter element	-	-	...
Inorg. glass fibre	10 bar / 145 PSI	3, 5, 10, 25	G
Filter paper	5 bar / 72.5 PSI	3, 10, 20, 25	D

*Note: Collapse/burst resistance as per ISO 2941
Other materials on request

4 Micron Rating

3 μm	03
5 μm	05
10 μm	10
20 μm	20
25 μm	25

Note: Other micron ratings on request

5 Sealing Material

NBR (Buna®) **B**
Note: Other sealing materials on request

6 Connection Style

Connection Style	Group		Code
	Port A	Port B	
NPT	1-1/4	None	N
NPT	1-1/4	1-1/2	NM
NPT	None	1-1/2	M
Combination SAE & NPT	1-5/8-12	1-1/2	SM
SAE	1-5/8-12	None	S
SAE	None	1-7/8-12	T
SAE	1-5/8-12	1-7/8-12	ST
Combination NPT & SAE	1-1/4	1-7/8-12	NT

7 Valve

No bypass	00
1 bar / 15 PSI	15
1,7 bar / 24.6 PSI	25

8 Length

Bowl Length 1 (1 element) **S1**
Bowl Length 2 (2 elements) **S2**

9 Clogging Indicator

No clogging indicator **N**
Visual clogging indicator **V**
Electrical clogging indicator **E**
Note: See pages C112 and C121 for more details on indicator ports and types.

10 Design Code

Only for information **X**

Filter Elements ■ Type RTE

RTE - **58** **D** **10** **B** / **X**

1 2 3 4 5 6

1 Type

Filter Element Series **RTE**

2 Group

According to filter housing

3 Filter Material

Material	Max. Δp^* collapse	Micron ratings available	Code
Inorg. glass fibre	10 bar / 145 PSI	3, 5, 10, 25	G
Filter paper	5 bar / 72.5 PSI	3, 10, 20, 25	D

*Note: Collapse/burst resistance as per ISO 2941
Other materials on request

4 Micron Rating

3 μm	03
5 μm	05
10 μm	10
20 μm	20
25 μm	25

Note: Other micron ratings on request

5 Sealing Material

NBR (Buna®) **B**
Note: Other sealing materials on request

6 Design Code

Only for information **X**