



WL16

Max Flow: 100 gpm (380 lpm)

WL16 In-Tank Filters

Working Pressures to: 200 *psi*
13.8 bar

Rated Static Burst to: 300 *psi*
21 bar

Flow Range to: 100 *gpm*
380 *lpm*



Features

WL16 in-tank filters meet the HF4 automotive standard. The quick disconnect cover allows for easy and efficient filter change-outs. An optional secondary inlet port offers the use of a second return line. These units can be top or side reservoir mounted. Use the optional anti-backflow valve (X011053) when installing this filter assembly to the side of a reservoir. DT high-performance replacement filters are available in four different media grades to fit any application.

Beta Rating

- Performance to $\beta_{5(c)}=1000$

Porting Size Options

- 1½" NPT
- SAE-24 O-ring
- 1½" SAE 4-Bolt Flange Code 61

Replacement Filter Lengths

- 9" / 229 mm
- 18" / 457 mm
- 27" / 686 mm

Filter Collapse Ratings

- 150 *psid* / 1034 kPa / 10.3 bar

Standard Bypass Ratings

- 50 psi / 345 kPa / 3.5 bar
- 25 psi / 172.5 kPa / 1.72 bar

Assembly Weight

- Length 3, 5.25 lbs / 2.3 kg
- Length 6, 16 lbs / 7.3 kg
- Length 7, 23 lbs / 10 kg

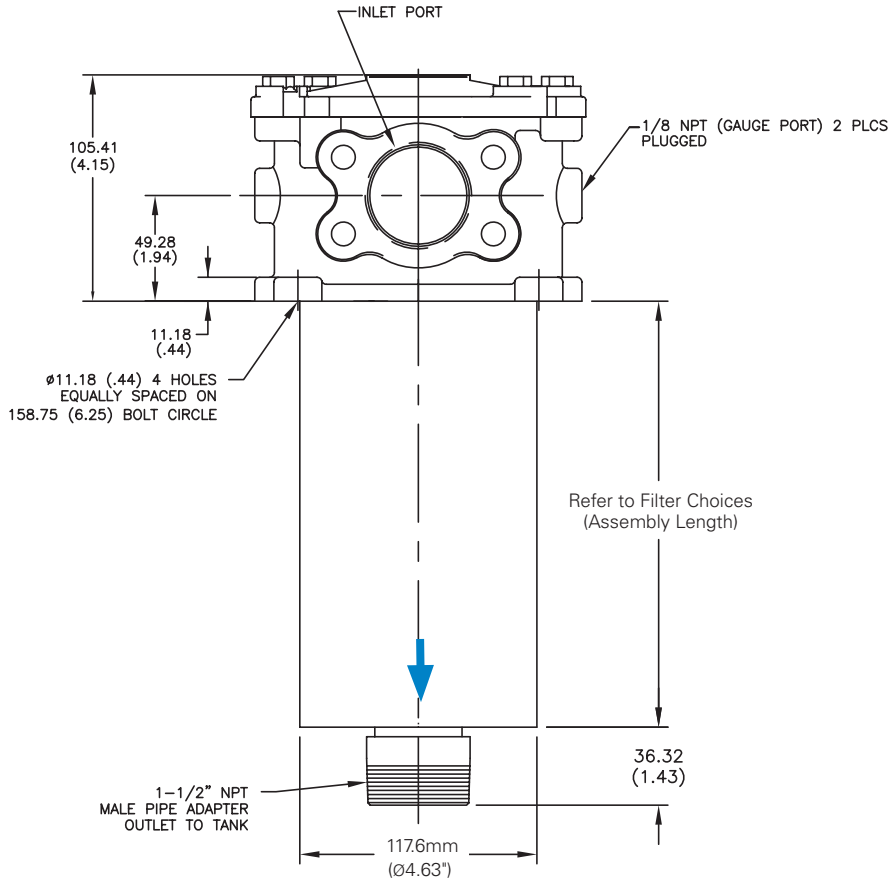
Operating Temperatures

- -45° to 250°F (-43° to 121°C)

WL16 Specification Illustrations

All dimensions are shown in millimeters [inches].

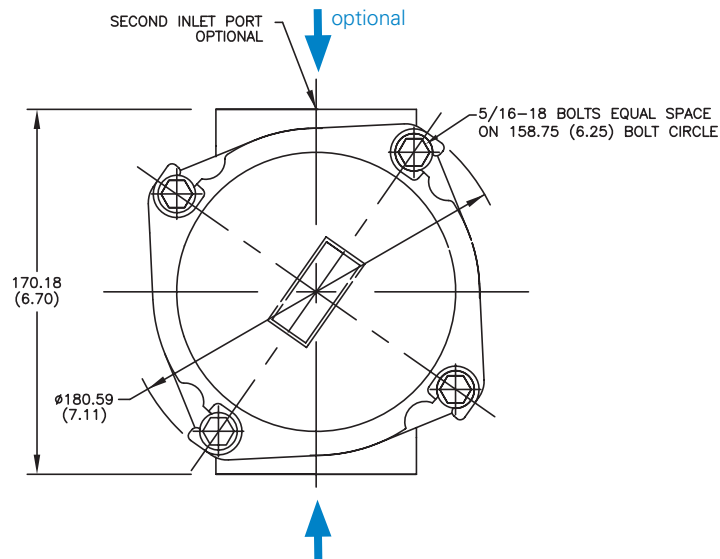
Assembly - Side View



Applications

- Cooling Circuits
- Fluid Conditioning Systems
- Lube Oil Systems
- Meets HF4 Specification
- Process Systems
- Return Lines
- Side Loop Systems

Head - Top View





WL16
Max Flow: 100 gpm (380 lpm)



WL16 Components

High-Performance DT Filter Choices

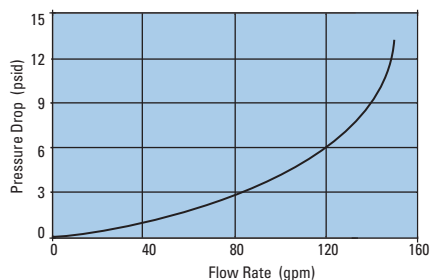
Media Type	$\beta_{x(c)} = 1000$ Rating based on ISO 16889	Length in mm	Donaldson Part No.	Comments
DT Synteq Synthetic	5 μm	9 231.8	P566270	DT-HF4-9-5UM
	8 μm	9 231.8	P566271	DT-HF4-9-8UM
	12 μm	9 231.8	P566272	DT-HF4-9-14UM
	23 μm	9 231.8	P566273	DT-HF4-9-25UM
	5 μm	18 462.3	P566274	DT-HF4-18-5UM
	8 μm	18 462.3	P566275	DT-HF4-18-8UM
	12 μm	18 462.3	P566276	DT-HF4-18-14UM
	23 μm	18 462.3	P566277	DT-HF4-18-25UM
	5 μm	27 702.5	P566278	DT-HF4-27-5UM
	8 μm	27 702.5	P566279	DT-HF4-27-8UM
14 μm	27 702.5	P566280	DT-HF4-27-14UM	
25 μm	27 702.5	P566281	DT-HF4-27-25UM	



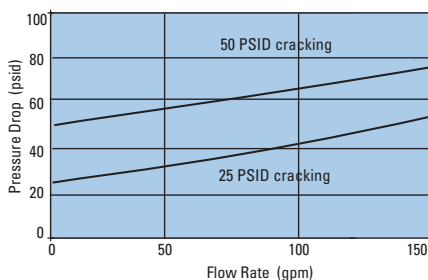
- All Donaldson DT filters utilize glass fiber media with an epoxy-based resin system for the ultimate in chemical compatibility.
- All Donaldson DT filters are potted with epoxy-based adhesives.
- Standard collapse designs are double wire-backed using epoxy-coated steel mesh for maximum pleat support and dirt capacity.
- Viton® seals are standard on all Donaldson DT filters. Viton® is a registered trademark of E. I. DuPont de Nemours and Company.

Performance Data

WL16 Housing Only

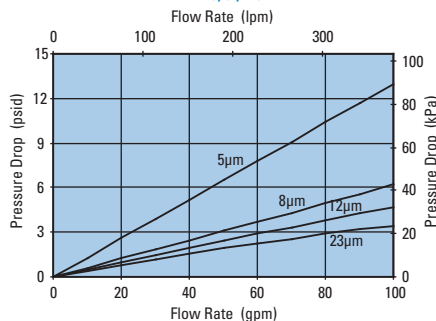


WL16 Bypass Valve



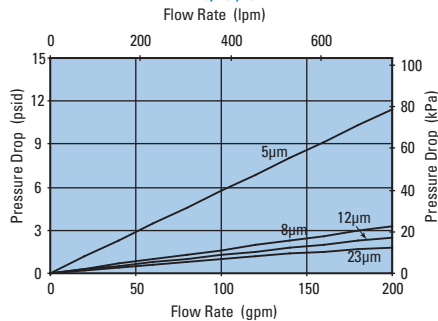
WL16 9" DT Filter Only

DT-HF4-9, 9"/229mm



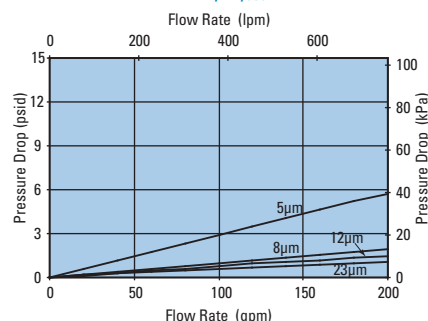
WL16 18" DT Filter Only

DT-HF4-18, 18"/457mm



WL16 27" DT Filter Only

DT-HF4-27, 27"/686mm





Filter Head Ordering Guide

Filter Assembly

WL16

1

D

4

2

6

N

TABLE 1

TABLE 2

TABLE 3

TABLE 4

TABLE 5

TABLE 6

TABLE 7

Service Filter

Filters ordered separately. See previous page for filter options.

LEAD TIME NOTE:

This product is configured with the specifications and features of your choice. Please contact your Donaldson sales representative for lead time details.

Table 1

Filter Assembly	
CODE	DESCRIPTION
WL16	Assembly

Table 2

Filter Collapse Options	
CODE	DESCRIPTION
1	150 psid

Table 3

Port Size Options	
CODE	PORT SIZE
D	SAE-24 O-ring
E	1½" SAE 4-Bolt Flange Code 61
U	1½" NPT

Table 4

Bypass Setting Options	
CODE	BYPASS SETTING
3	25 psid
4	50 psid

Table 5

Upstream Pressure Gauge and Switch Option	
CODE	INDICATOR STYLE & SETTING
1	No indicator
2	0-200 psi pressure gauge**
3	0-60 psi pressure gauge**
4	0-60 psi pressure gauge*
6	Pressure switch 18 psi Brad Harrison® (5-pin)
7	Pressure switch 35 psi Brad Harrison® (5-pin)
8	Pressure switch 18 psi Hirschmann® (4-pin)
9	Pressure switch 35 psi Hirschmann® (4-pin)

*Bypass setting option code 3 only
**Bypass setting option code 4 only

Table 6

Secondary Port Options	
CODE	PORT SIZE
T	1-7/8" - 12 UN (SAE-24)
Z	1-1/2" SAE 4 Bolt Flange Code 61
N	None
V	1-1/2" NPT

Table 7

Seal Options	
CODE	MATERIAL
B	Buna-N®
V	Viton®

Table 8

Assembly & Filter Length	
CODE (LGTH)	FILTER LENGTH
3 (12.76")	9"
6 (16.94")	18"
7 (26.31")	27"

Note: Code length 6 & 7 may be stacked using connector part # P167324 and code length 3 filters

Metric Porting Available

Change WL16 to GL16

Porting code E becomes 1-1/2"

SAE 4 bolt flange with M12 threads

Media Ratings

Western Filter elements have been replaced by Donaldson DT high-performance cartridges.

WESTERN MEDIA CODE	DONALDSON DT SYNTEQ MEDIA
03	5µm DT Synteq Synthetic
05	8µm DT Synteq Synthetic
10	12µm DT Synteq Synthetic
20	23µm DT Synteq Synthetic

For a complete filter interchange, visit crossreference.donaldson.com.