

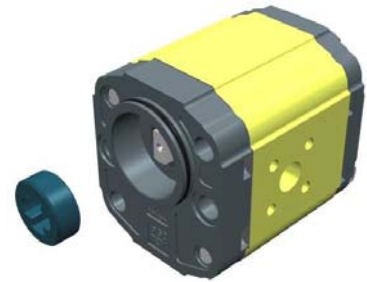
unidirectional motor - series XV

XV-2U

STANDARD GERMAN "BH" TYPE MOTOR
 ø52 BODY-SHAPED FLANGE - MILLED SHANK

X 2 U 51 32 C S R A

Series	X	series XV
Group	2	group 2
Category	U	unidirectional motor
Displacement	51	17
Flange	32	Ø52 GERMAN STANDARDIZED right rotation (with OR)
Shaft	C	CF001 - Milled shank ø15 - thk.8 ("BH" Standard German)
Body	IN	S inlet - Ø40 a 45° Ø20 M6
	OUT	R outlet - Ø35 a 45° Ø15 M6
Cover	A	standard



XU216

Technical data table

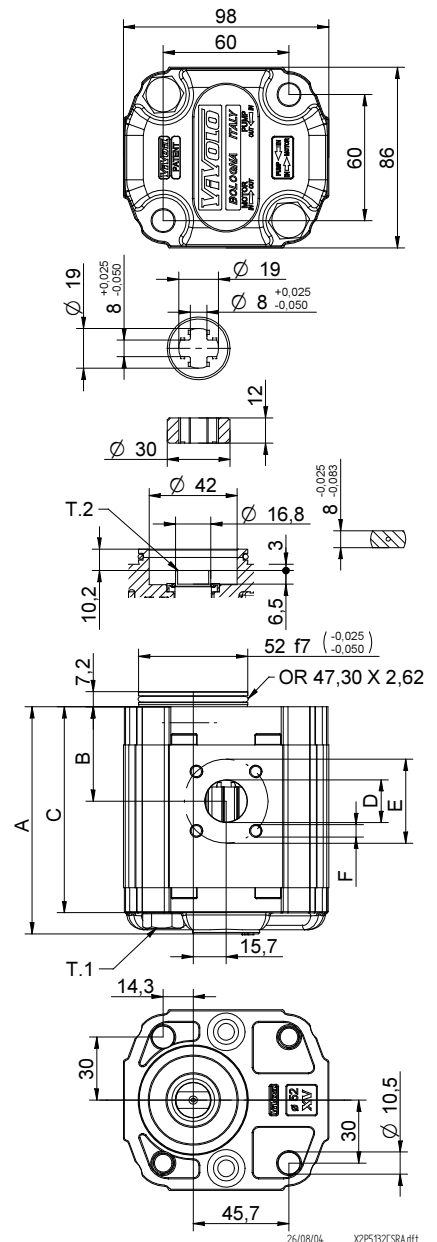
TYPE	Displacement cm3/rev	Max. Pressure		CODE	
		P1 bar	P3 bar	Left rotation	Right rotation
XV-2U/04	4,20	260	300	X 2 U 41 31 C S R A	X 2 U 41 32 C S R A
XV-2U/06	6,00	260	300	X 2 U 43 31 C S R A	X 2 U 43 32 C S R A
XV-2U/09	8,40	260	300	X 2 U 45 31 C S R A	X 2 U 45 32 C S R A
XV-2U/11	10,80	260	300	X 2 U 47 31 C S R A	X 2 U 47 32 C S R A
XV-2U/14	14,40	250	290	X 2 U 49 31 C S R A	X 2 U 49 32 C S R A
XV-2U/17	16,80	230	270	X 2 U 51 31 C S R A	X 2 U 51 32 C S R A
XV-2U/19	19,20	210	250	X 2 U 53 31 C S R A	X 2 U 53 32 C S R A
XV-2U/22	22,80	200	240	X 2 U 55 31 C S R A	X 2 U 55 32 C S R A
XV-2U/26	26,20	170	210	X 2 U 57 31 C S R A	X 2 U 57 32 C S R A
XV-2U/30	30,00	160	200	X 2 U 59 31 C S S A	X 2 U 59 32 C S S A
XV-2U/34	34,20	150	190	X 2 U 61 31 C S S A	X 2 U 61 32 C S S A
XV-2U/40	39,60	140	180	X 2 U 63 31 C S S A	X 2 U 63 32 C S S A

P1) Max. working pressure - P3) Max. peak pressure

For heavy-duty applications, it is recommended to check the admissible torque of the shaft

Dimensions table

TYPE	Weight kg	A	B	C	D	E	F	D	E	F
		mm	mm	mm	IN			OUT		
XV-2U/04	2,100	87,2	38,6	77,2	ø15	35	M6x1	ø20	40	M6x1
XV-2U/06	2,200	90,2	38,6	80,2	ø15	35	M6x1	ø20	40	M6x2
XV-2U/09	2,300	94,2	40,6	84,2	ø15	35	M6x1	ø20	40	M6x3
XV-2U/11	2,400	98,2	45,0	88,2	ø15	35	M6x1	ø20	40	M6x4
XV-2U/14	2,600	104,2	45,0	94,2	ø15	35	M6x1	ø20	40	M6x5
XV-2U/17	2,700	108,2	45,0	98,2	ø15	35	M6x1	ø20	40	M6x6
XV-2U/19	2,800	112,2	45,0	102,2	ø15	35	M6x1	ø20	40	M6x7
XV-2U/22	2,950	118,2	52,5	108,2	ø15	35	M6x1	ø20	40	M6x8
XV-2U/26	3,050	122,2	52,5	112,2	ø15	35	M6x1	ø20	40	M6x9
XV-2U/30	3,300	130,2	60,7	120,2	ø20	40	M6x1	ø20	40	M6x10
XV-2U/34	3,500	137,2	60,7	127,2	ø20	40	M6x1	ø20	40	M6x11
XV-2U/40	3,700	146,2	60,7	136,2	ø20	40	M6x1	ø20	40	M6x12



T.1 = 54÷58.9 [Nm] - screw tightening torque M10

T.2 = 60.5 [Nm] - admissible shaft torque (N.B. When choosing a shaft, always check the admissible torque).

Table of variations

XV-2U

Standard German ø52 "BH" FLANGE

Standard German ø52 "BH" FLANGE				Shaft				Cover			
Left rotation		Right rotation		CF001 - Milled shank		SCF05 - Splined		Left rotation		Right rotation	
	31		32	T.2 = 60.5 [Nm]		C	T.2 = 86.2 [Nm]				A
	33		34	SCF01 - Splined		L					B
	35		36	T.2 = 86.2 [Nm]		L					C
	37		38			L					D

Displacement	
TYPE	CODE
XV-2U/04	41
XV-2U/06	43
XV-2U/09	45
XV-2U/11	47
XV-2U/14	49
XV-2U/17	51
XV-2U/19	53
XV-2U/22	55
XV-2U/26	57
XV-2U/30	59
XV-2U/34	61
XV-2U/40	63

Standard bodies						
Displacement cm3/rev	Standard threads					
	4	O - O	S - R	B - B	L - M	Z - Z
6	O - O	S - R	B - B	L - M	Z - Z	
9	O - O	S - R	B - B	L - M	Z - Z	
11	O - O	S - R	B - B	L - M	Z - Z	
14	P - O	S - R	C - B	L - M	Z - Z	
17	P - O	S - R	C - B	L - M	Z - Z	
19	P - O	S - R	C - B	L - M	Z - Z	
22	P - O	S - R	C - B	L - M	Z - Z	
26	Q - P	S - R	D - C	L - M	Z - Z	
30	Q - P	S - S	D - C	L - M	Z - Z	
34	Q - P	S - S	D - C	L - M	Z - Z	
40	Q - P	S - S	D - C	L - M	Z - Z	

Table showing standard flange and thread combinations available in stock

		N
Internal drainage		
		O
External drainage		

Body (threads/flanges)													
	A		B		C		D		E		F		G
	H		I		L		M		N		O		P
	Q		R		S		T		U		V	Closed Body	Z