

unidirectional motor - series XV

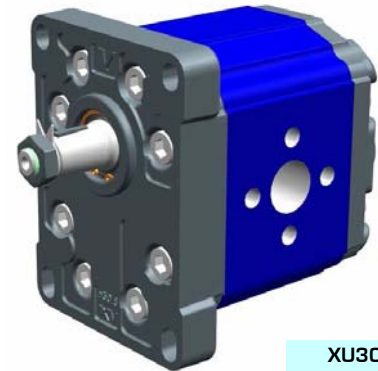
XV-3U

**STANDARD EUROPEAN MOTOR
ø50.8 FLANGE - TAPER SHAFT**



X 3 U 78 02 A B B A

Series	X	series XV
Group	3	group 3
Category	U	unidirectional motor
Displacement	78	38
Flange	02	ø50.8 right rotation
Shaft	A	CO001 - Tapered 1:8 - ø22 - key thk.4
Body	IN	inlet - ø51 ø27 M10
	OUT	outlet - ø51 ø27 M10
Cover	A	standard



XU301

Technical data table

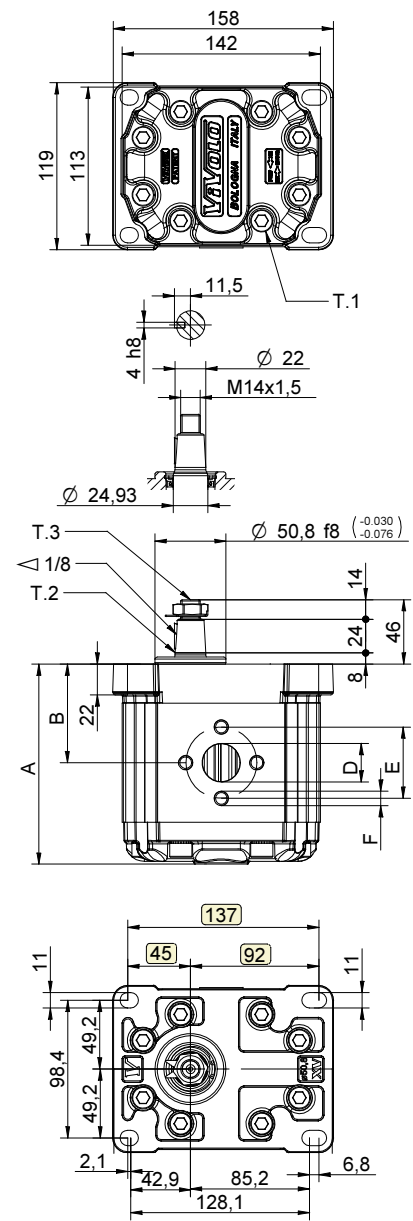
TYPE	Displacement cm3/rev	Max. Pressure		CODE																	
		P1 bar	P3 bar	Left rotation			Right rotation														
XV-3U/15	14,89	300	320	X	3	U	66	01	A	A	A	A	X	3	U	66	02	A	A	A	A
XV-3U/18	17,37	300	320	X	3	U	68	01	A	A	A	A	X	3	U	68	02	A	A	A	A
XV-3U/21	21,10	280	300	X	3	U	70	01	A	A	A	A	X	3	U	70	02	A	A	A	A
XV-3U/27	26,97	250	270	X	3	U	72	01	A	A	A	A	X	3	U	72	02	A	A	A	A
XV-3U/32	32,27	250	270	X	3	U	74	01	A	B	B	A	X	3	U	74	02	A	B	B	A
XV-3U/38	38,47	250	270	X	3	U	78	01	A	B	B	A	X	3	U	78	02	A	B	B	A
XV-3U/43	43,44	250	270	X	3	U	79	01	A	B	B	A	X	3	U	79	02	A	B	B	A
XV-3U/47	47,16	230	250	X	3	U	80	01	A	B	B	A	X	3	U	80	02	A	B	B	A
XV-3U/51	50,88	230	250	X	3	U	81	01	A	B	B	A	X	3	U	81	02	A	B	B	A
XV-3U/54	54,60	230	250	X	3	U	82	01	A	B	B	A	X	3	U	82	02	A	B	B	A
XV-3U/61	60,81	230	250	X	3	U	83	01	A	C	C	A	X	3	U	83	02	A	C	C	A
XV-3U/64	64,53	210	230	X	3	U	85	01	A	C	C	A	X	3	U	85	02	A	C	C	A
XV-3U/70	70,74	200	220	X	3	U	86	01	A	C	C	A	X	3	U	86	02	A	C	C	A
XV-3U/74	74,46	180	200	X	3	U	87	01	A	C	C	A	X	3	U	87	02	A	C	C	A
XV-3U/90	86,87	150	170	X	3	U	89	01	A	C	C	A	X	3	U	89	02	A	C	C	A

P1) Max. working pressure - P3) Max. peak pressure

For heavy-duty applications, it is recommended to check the admissible torque of the shaft

Dimensions table

TYPE	Weight kg	A	B	D	E	F	D	E	F
		mm	mm	IN			OUT		
XV-3U/15	7,010	124,0	61,0	ø20	40	M8	ø20	40	M8
XV-3U/18	7,070	126,0	62,0	ø20	40	M8	ø20	40	M8
XV-3U/21	7,150	129,0	63,5	ø20	40	M8	ø20	40	M8
XV-3U/27	7,250	133,0	65,5	ø20	40	M8	ø20	40	M8
XV-3U/32	7,390	138,0	68,0	ø27	51	M10	ø27	51	M10
XV-3U/38	7,520	143,0	70,5	ø27	51	M10	ø27	51	M10
XV-3U/43	7,630	147,0	72,5	ø27	51	M10	ø27	51	M10
XV-3U/47	7,710	150,0	74,0	ø27	51	M10	ø27	51	M10
XV-3U/51	7,790	153,0	75,5	ø27	51	M10	ø27	51	M10
XV-3U/54	7,870	156,0	77,0	ø27	51	M10	ø27	51	M10
XV-3U/61	8,010	161,0	79,5	ø36	62	M10	ø36	62	M10
XV-3U/64	8,090	164,0	81,0	ø36	62	M10	ø36	62	M10
XV-3U/70	8,220	169,0	83,5	ø36	62	M10	ø36	62	M10
XV-3U/74	8,300	172,0	85,0	ø36	62	M10	ø36	62	M10
XV-3U/90	8,570	182,0	90,0	ø36	62	M10	ø36	62	M10



2010105 X3P7802ABBA.dft

T.1 = 60÷65 [Nm] - screw tightening torque M10

T.3 = 75 [Nm] - torque wrench setting 22

T.2 = 482 [Nm] - admissible shaft torque (N.B. When choosing a shaft, always check the admissible torque).

Table of variations

XV-3U

ø50.8 FLANGE

ø50.8 FLANGE		Shaft		Cover		
Left rotation	Right rotation			Left rotation	Right rotation	
		CO001 - Tapered T.2 = 482 [Nm]	A			A
01	02		B			B
		Ci004 - Parallel T.2 = 180 [Nm]	C			C
			H			D
		SCF04 - Splined T.2 = 264 [Nm]	I			

Displacement	
TYPE	CODE
XV-3U/15	66
XV-3U/18	68
XV-3U/21	70
XV-3U/27	72
XV-3U/32	74
XV-3U/38	78
XV-3U/43	79
XV-3U/47	80
XV-3U/51	81
XV-3U/54	82
XV-3U/61	83
XV-3U/64	85
XV-3U/70	86
XV-3U/74	87
XV-3U/90	89

Standard bodies				
Displacement cm3/rev	Standard threads			
	15	A - A	D - D	H - H
18	A - A	D - D	H - H	
21	A - A	D - D	H - H	
27	A - A	E - E	H - H	
32	B - B	E - E	H - H	
38	B - B	E - E	H - H	
43	B - B	E - E	H - H	
47	B - B	E - E	H - H	
51	B - B	E - E	H - H	
54	B - B	E - E	H - H	
61	C - C	F - F		
64	C - C	F - F		
70	C - C	F - F		
74	C - C	F - F		
90	C - C	F - F		

Table showing standard flange and thread combinations available in stock

Body (threads/flanges)													
	A		B		C		D		E		F		G
	H		I		L		M		N		O		P
Closed Body	Z												